

FOLLETT CORPORATION

25CI400A/W & 50CI400A/W DISPENSER

DES. R. LA BRIE

JOB 11-0879

DATE 10/3/08

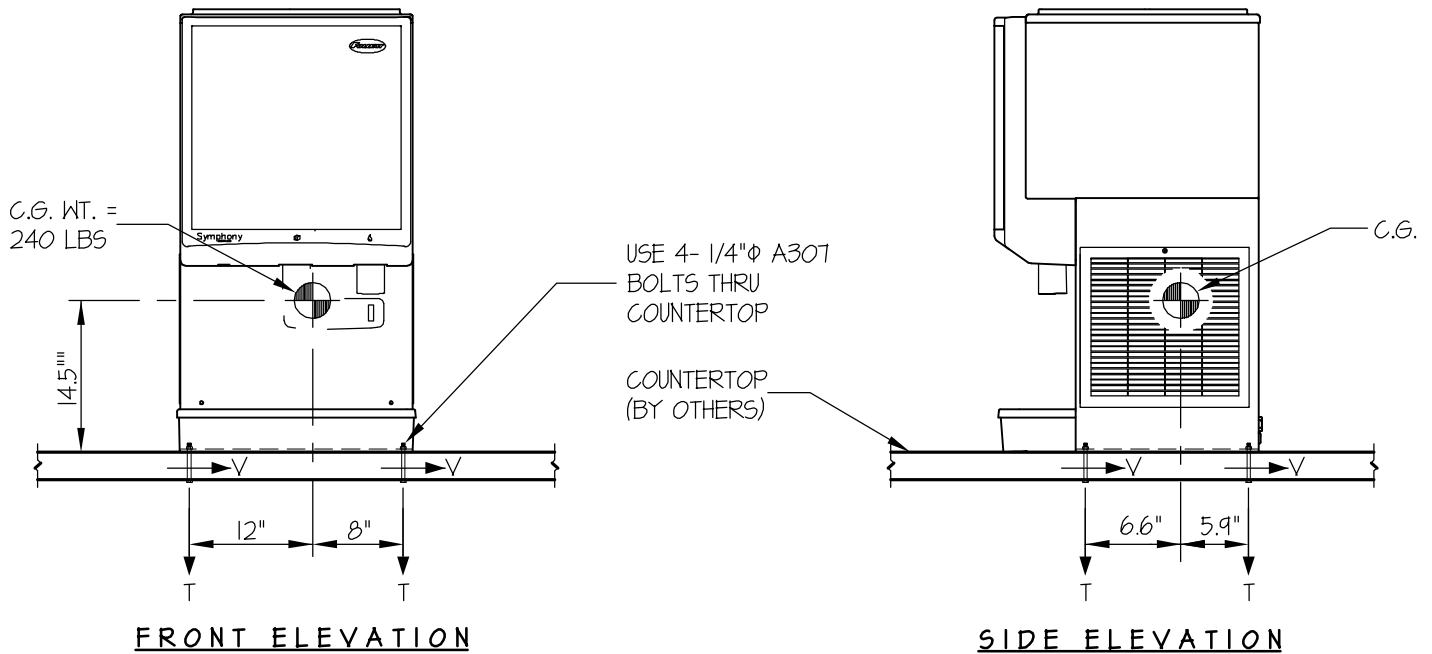
SHEET

1

OF 1 SHEETS

SEISMIC ANCHORAGE

COUNTERTOP MOUNTED



LOADS: PER 2007 CALIFORNIA BUILDING CODE SECTION 1613A AND ASCE 7-05 SECTIONS 12 AND 13.

WEIGHT = 240 LBS (INCLUDES CONTENTS)

HORIZONTAL FORCE (E_h) = $0.97W_p$ = 233 LBS

VERTICAL FORCE (E_v) = $0.27W_p$ = 65 LBS

BOLT FORCES:

TENSION (T)

$$T_{\text{MAXIMUM}} = \left[\frac{233\#(14.5'')(6.5'')}{20''(12.5'')} \times (0.3) \right] + \frac{233\#(14.5'')(12'')}{12.5''(20'')} - \frac{(240\#(0.6) - 65\#(12'')(6.5''))}{20''(12.5'')} = 164 \text{ LBS/BOLT (MAX)}$$

(HORIZ - SIDE TO SIDE) (HORIZ - FRONT TO BACK) (WEIGHT (06) - E_v)

SHEAR (V)

$$V_{\text{MAXIMUM}} = \frac{233\#(12'')}{2_{\text{BOLTS}}(20'')} = 70 \text{ LBS/BOLT (MAX)}$$

NOTE:

COUNTERTOP STRUCTURE SHALL BE DESIGNED TO SUPPORT WEIGHTS AND FORCES SHOWN BY OTHERS.

| MODEL NO. | WEIGHT (LBS) | T _{MAX} (LBS/BOLT) | V _{MAX} (LBS/BOLT) |
|------------|--------------|-----------------------------|-----------------------------|
| 50CI400A/W | 240 | 164 | 70 |
| 25CI400A/W | 230 | 157 | 67 |

