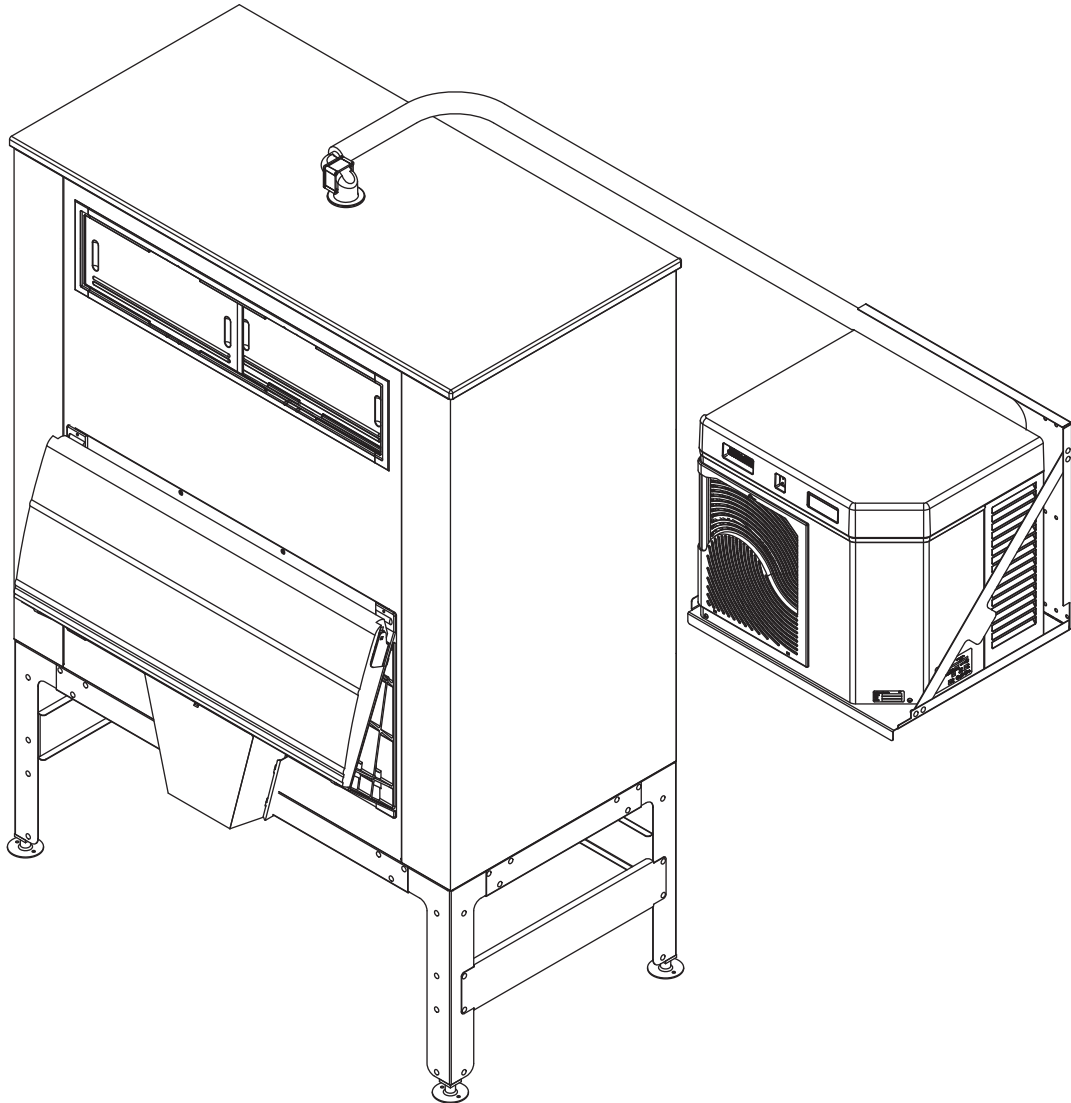


Horizon™ Ice Machine Models with RIDE™ Technology Installation Instructions for Ice Storage Bins

HCC1000ABS, HMC1000ABS, HCC1400ABS, HMC1400ABS,
HCC1000WBS, HMC1000WBS, HCC1400WBS, HMC1400WBS,
HCE1000ABS, HME1000ABS, HCE1400ABS, HME1400ABS,
HCE1000WBS, HME1000WBS, HCE1400WBS, HME1400WBS
(See model number configurator on page 2 for details.)

Order parts online
www.follettice.com




Chewblet® Ice Machine Model Number Configurations

HC
C
1400
A
V
S


Icemaker	Voltage	Series	Condenser	Application	Configuration
MC Maestro™ Chewblet® (400 Series)	C 208-230/60/1 (icemaking head) <i>Self-contained only.</i>	400 up to 454 lbs	A Air-cooled, self-contained	V Vision™	S RIDE™
	D 115/60/1 (icemaking head) <i>Self-contained and remote. If remote unit, high side is 208-230/60/1.</i>	(206kg)	W Water-cooled, self-contained	H Harmony™	(RIDE remote ice delivery equipment)
HC Horizon Chewblet (1000, 1400, 1650 Series)	E 230/50/1 (icemaking head) <i>Self-contained only.</i>	1000 up to 1036 lbs (471kg)	R Air-cooled, remote condensing unit	B Ice storage bin	
	F 115/60/1 (icemaking head) <i>Remote only. High side is 208-230/60/3.</i>	1400 up to 1450 lbs (658kg)	N Air-cooled, no condensing unit for connection to parallel rack system	J Drop-in	T Top-mount
HM Horizon Micro Chewblet		1650 up to 1580 lbs (717kg)		M Ice Manager diverter valve system	

Read and complete the following 8 installation steps

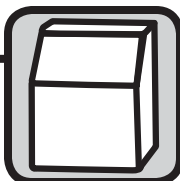
1 **Unpack**




2 **Site preparation**




3 **Bin preparation**




4 **Louvered docking assembly**



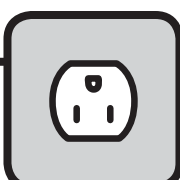
5 **Ice transport tube**




6 **External connection**



7 **Internal connection**



8 **Front cover**



Carefully unpack and inspect the contents of your Follett ice machine.

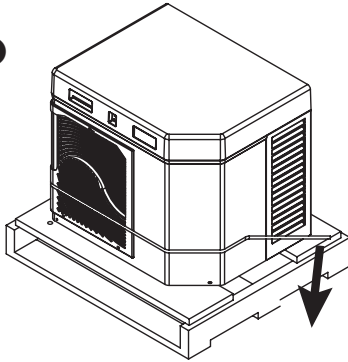
Unpack

1

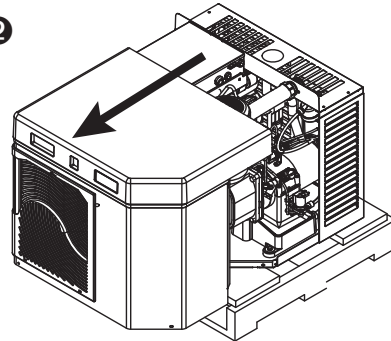


1.1 Unpack ice machine

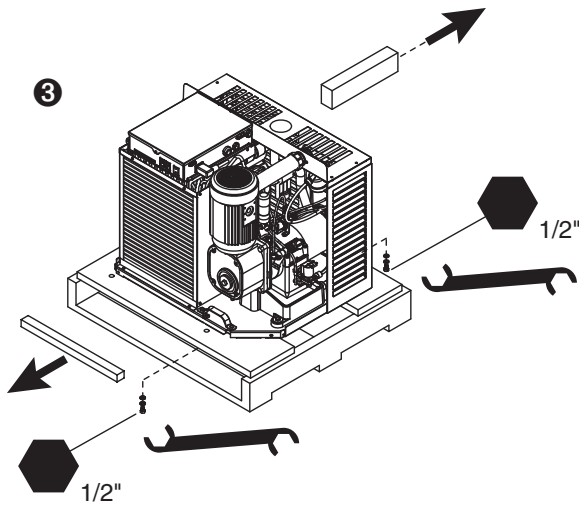
1



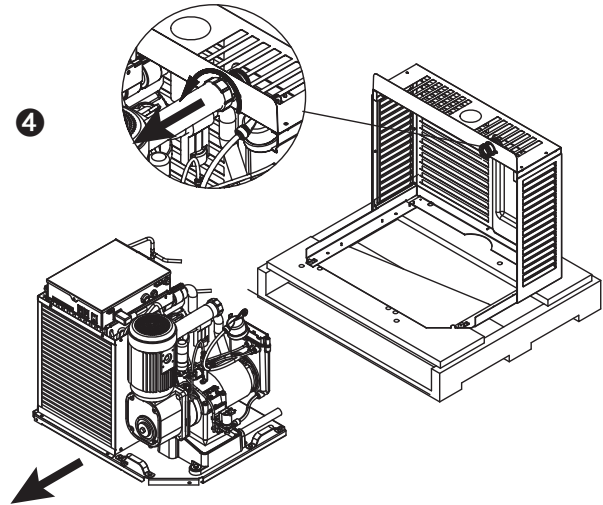
2



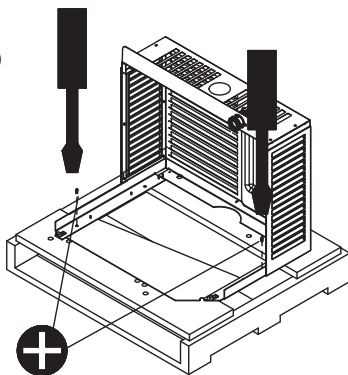
3



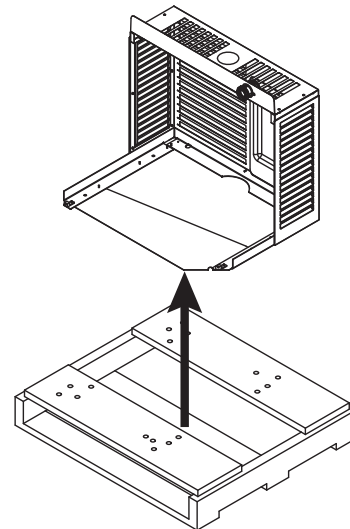
4



5

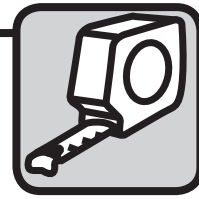


6

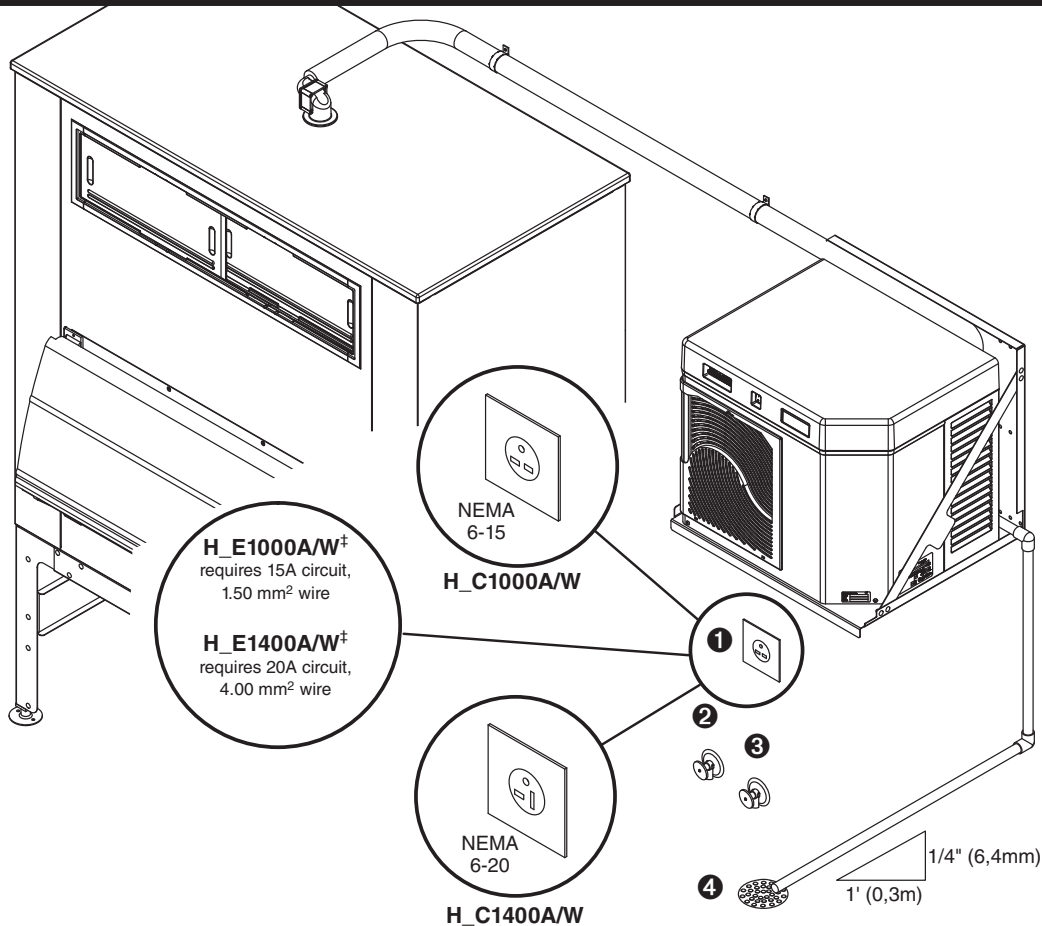


Prepare the installation site.

Provide drainage, water supply and electrical power to within 6 feet (2m) of ice machine in accordance with local and national codes. Outdoor installation is not recommended and will void warranty.



2.1 Installation site requirements



Electrical 1

- H_C1000(A/W)BS 208-230/60/1-15 amps
- H_E1000(A/W)BS 230/50/1-15 amps[‡]
(H_E1000A/W requires 15A circuit, 1.50 mm² wire)
- H_C1400(A/W)BS 208-230/60/1-20 amps
- H_E1400(A/W)BS 230/50/1-20 amps[‡]
(H_E1400A/W requires 20A circuit, 4.00 mm² wire)

[‡] Plug must be provided by end user & must conform to standard EN 60 335-2-24 of the end destination.

Potable water supply 2

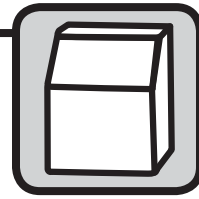
- 10-70 psi (69-483kpa)
- 45 to 90 F (7 to 32 C)
- Follett recommends the use of an in-line water filtration system (#00130286)

Condenser water supply for water-cooled systems 3

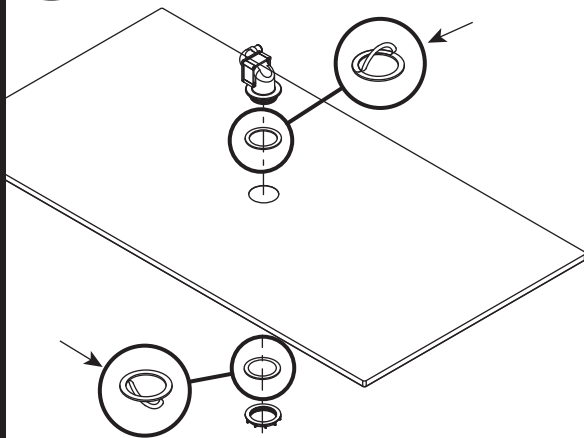
- 10 psi min.; 150 psi max. (69kpa min.; 1034kpa max.)
- 45 to 90 F (7 to 32 C)
- 1.5 gallons per minute (5.68 liters per minute)

Drain 4

- The drain line from the ice machine must have at least 1/4" per foot pitch (6,4mm/0,3m)

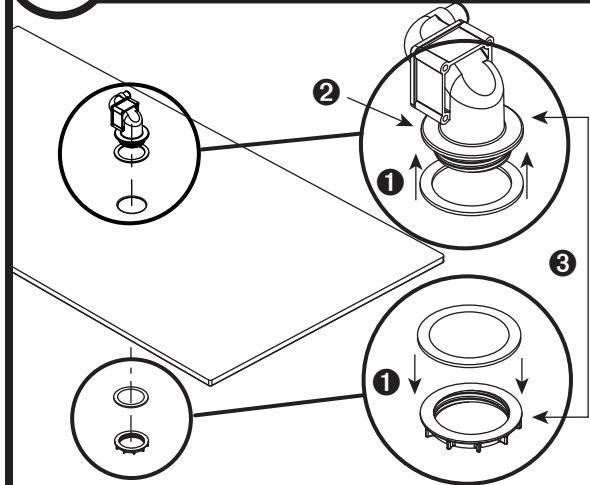


3.1 Bin top preparation



- Remove protective tape from gaskets

3.2 Bin top preparation



- Apply gaskets ①
- Install shuttle actuator ② through dispenser top and secure with locking nut ③

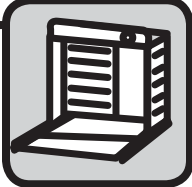
Louvered docking assembly

4

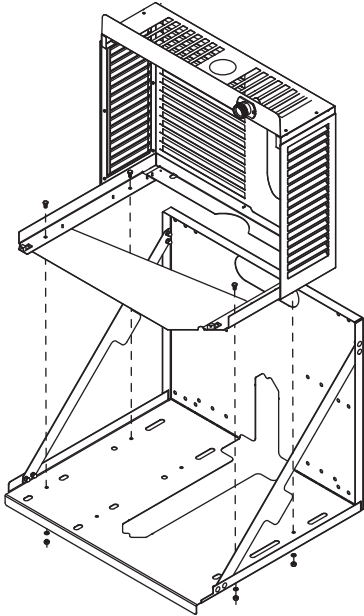
Install the louvered docking assembly.

WARNING

- Docking station must be secured in accordance with these instructions to ensure ice machine stability.
- Ventilation openings in the louvered docking station should be clear of obstruction

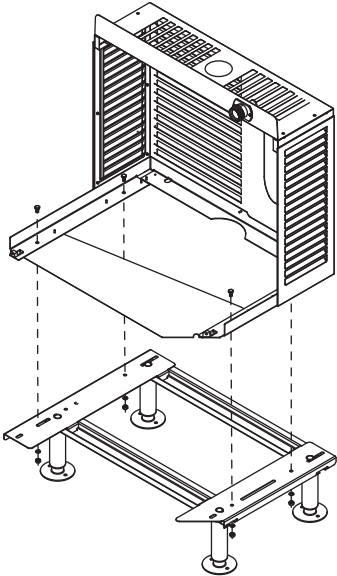


4.1 Wall bracket accessory



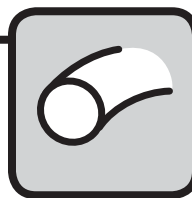
- Mount louvered docking assembly to wall bracket accessory

4.2 Machine stand accessory

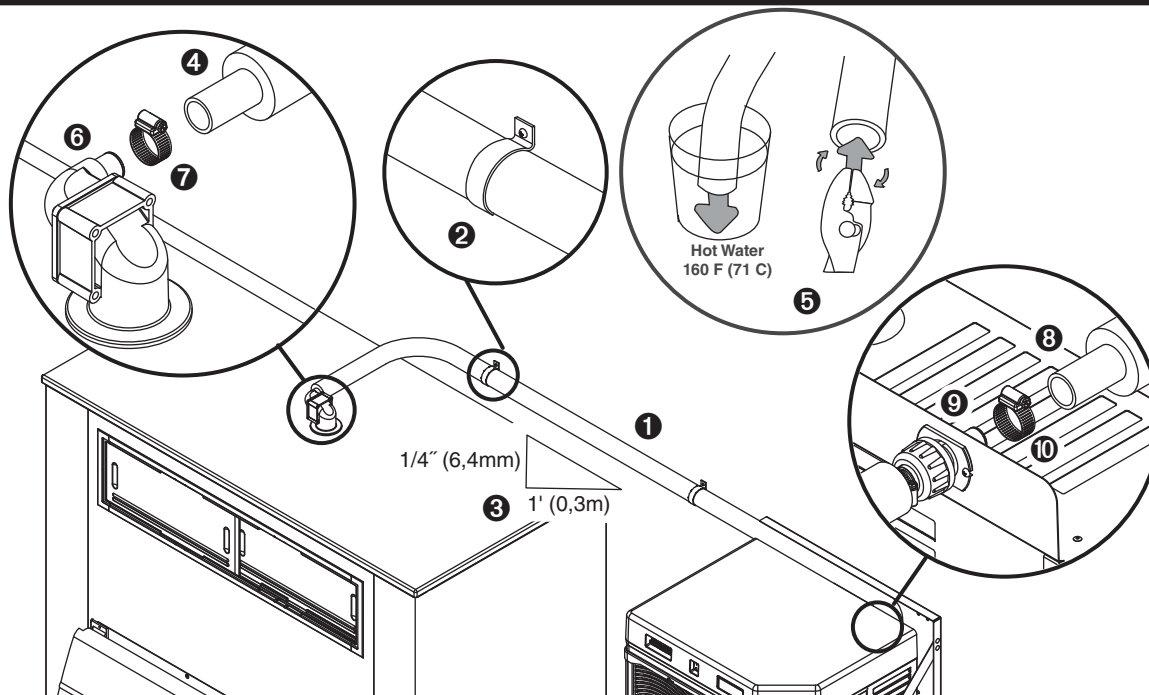


- Mount louvered docking assembly to machine stand accessory

Install the ice transport tube.



5.1 Ice transport tube installation



Ice transport tube tips

- Insulate entire length of ice transport tube ①
- Secure ice transport tube ② as needed to prevent dips and traps from forming. For long tube runs see guide on page 14.
- Pitch ice transport tube at least 1/4" per foot (6,4mm/.3m) ③
- Ice transport tube must drain towards ice machine

Ice transport tube to bin

- Be sure tube ends are square ④
- Heat end of transport tube in cup of 160 F (71 C) hot water to soften and spread with pliers ⑤ before making connection to ease assembly
- Push ice transport tube onto ice machine nipple ⑥
- Install hose clamp ⑦

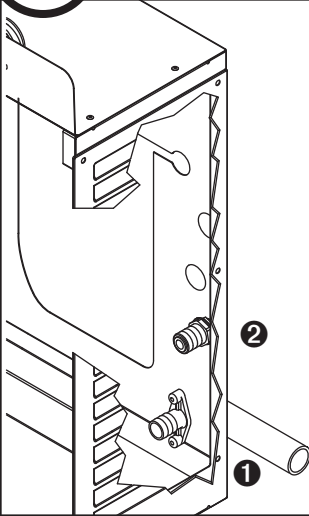
Ice transport tube to Ice machine

- Be sure tube ends are square ⑧
- Heat end of transport tube in cup of 160 F (71 C) hot water to soften and spread with pliers ⑤ before making connection to ease assembly
- Push ice transport tube onto ice machine nipple ⑨
- Install hose clamp ⑩

Connect utilities to louvered docking assembly.

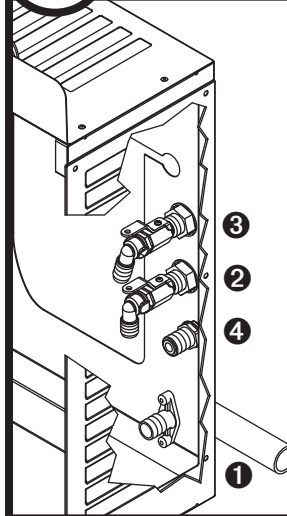


6.1 Air-cooled ice machines only



- Remove access panel if necessary
- Install drain line ①.
The rigid drain line from the ice machine must have at least 1/4" per foot pitch (6,4mm/0,3m).
- Install ice machine potable water supply ②
- Replace access panel

6.2 Water-cooled ice machines only

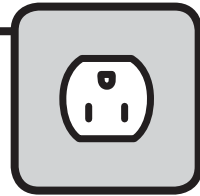


- Remove access panel if necessary
- Install drain line ①.
The rigid drain line from the ice machine must have at least 1/4" per foot pitch.
- Connect cooling water supply ② and return ③
- Install ice machine potable water supply ④
- Replace access panel

Connect louvered docking assembly to ice machine.

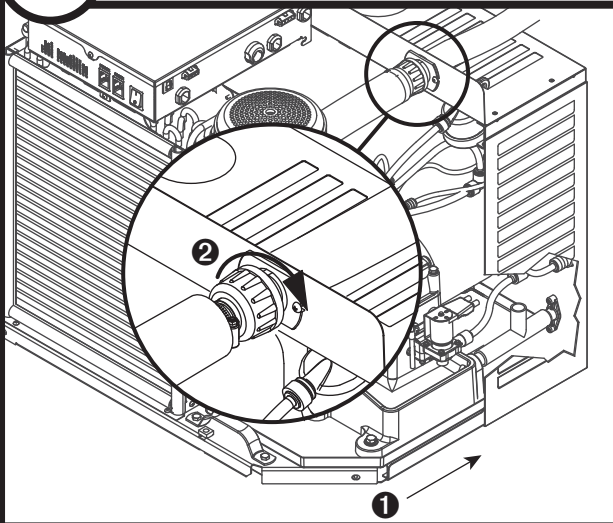
CAUTION

- Plug must be accessible after final installation.
- H_E1400A/W 230/50/1 requires a 20A circuit (4.00 mm² wire)



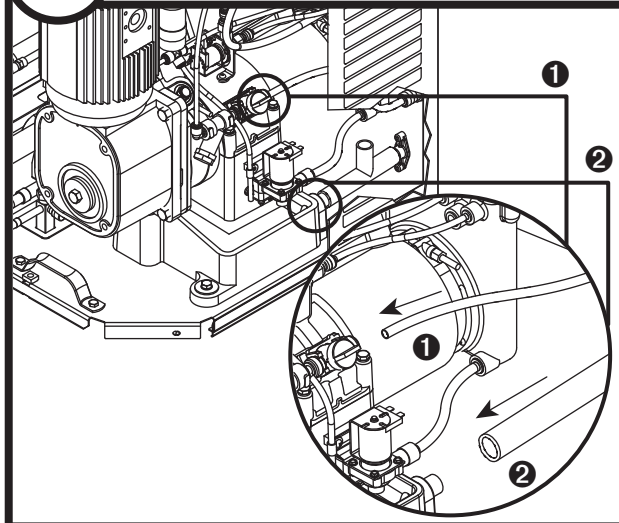
Air-cooled ice machines – follow steps 7.1 through 7.4.

7.1 Ice transport tube



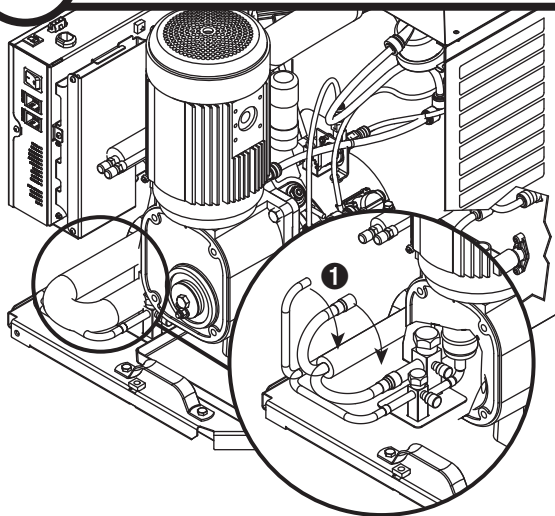
- Slide ice machine into louvered docking assembly **1**
- Insert ice transport tube all the way into coupling and tighten nut firmly **2**

7.2 Potable water line



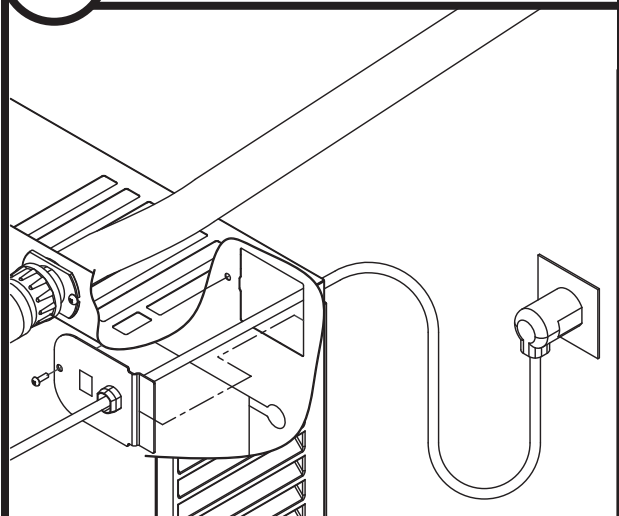
- Insert potable water line into valve **1**
- Push drain line over hose barb on back of evaporator mount **2**

7.3 Power cord



- Remove twist tie
- Carefully pass plug thru opening and plug into wall outlet

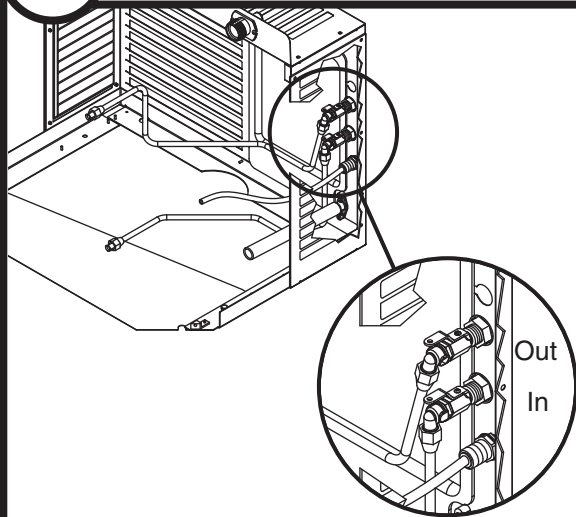
7.4 Power cord



- Position plate into opening and secure with supplied screw

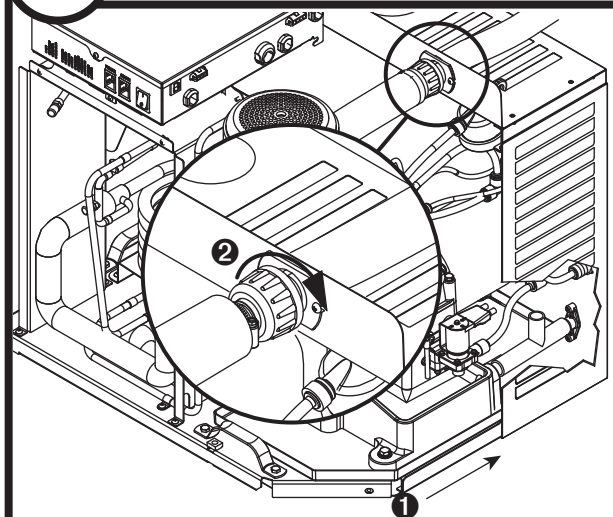
Water-cooled ice machines – follow steps 7.5 through 7.10.

7.5 Cooling lines



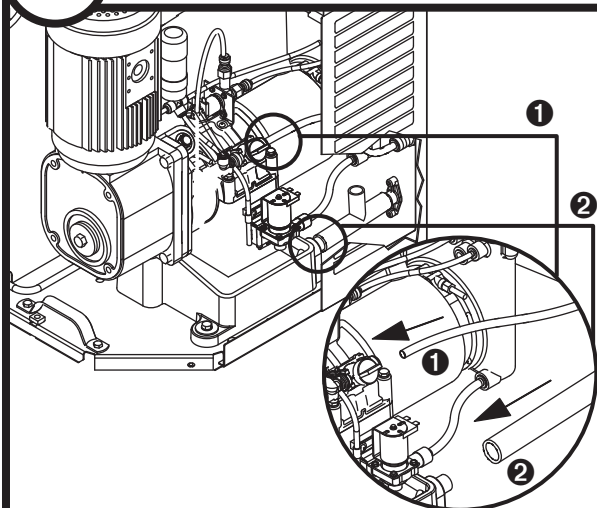
- Install ice machine cooling water lines to louvered docking assembly

7.6 Ice transport tube



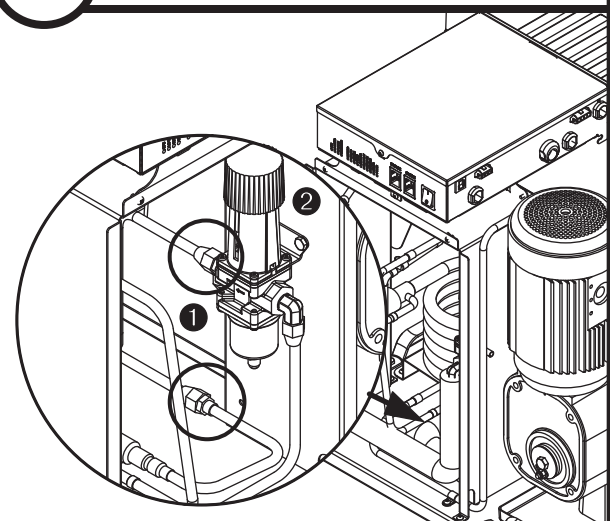
- Slide ice machine into louvered docking assembly ①
- Insert ice transport tube into coupling and tighten nut firmly ②

7.7 Potable water and drain lines



- Insert potable water line into valve ①
- Push drain line over hose barb on back of evaporator mount ②

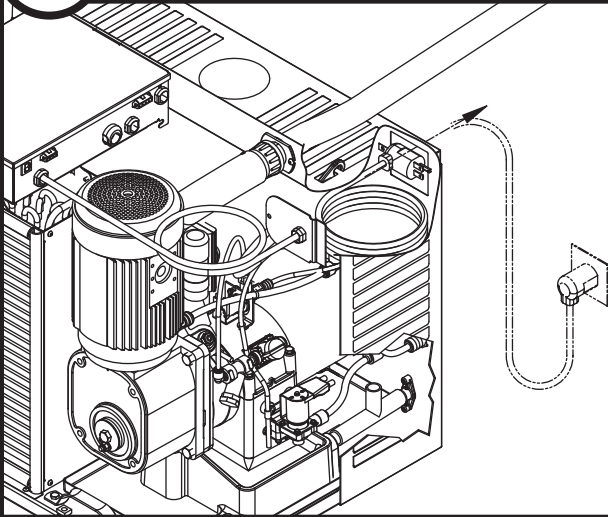
7.8 Cooling lines and power



- Connect cooling water lines to ice machine ①
- Water valve is set at the factory. **DO NOT** remove seal or adjust water valve ②

7.9

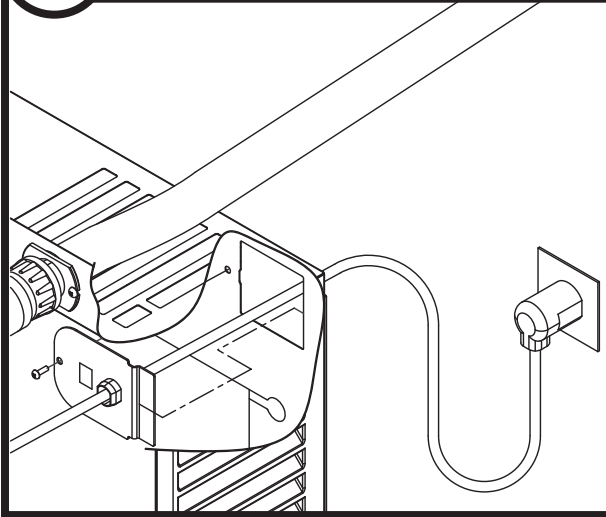
Power cord



- Remove twist tie
- Carefully pass plug thru opening and plug into wall outlet

7.10

Power cord



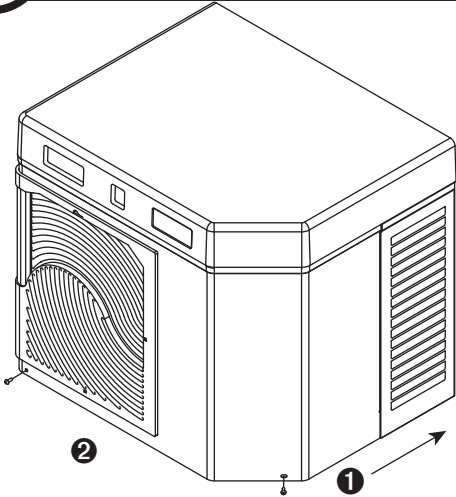
- Position plate into opening and secure with supplied screw

Install front cover to ice machine.

Front cover **8**



8.1 Water-cooled ice machines only



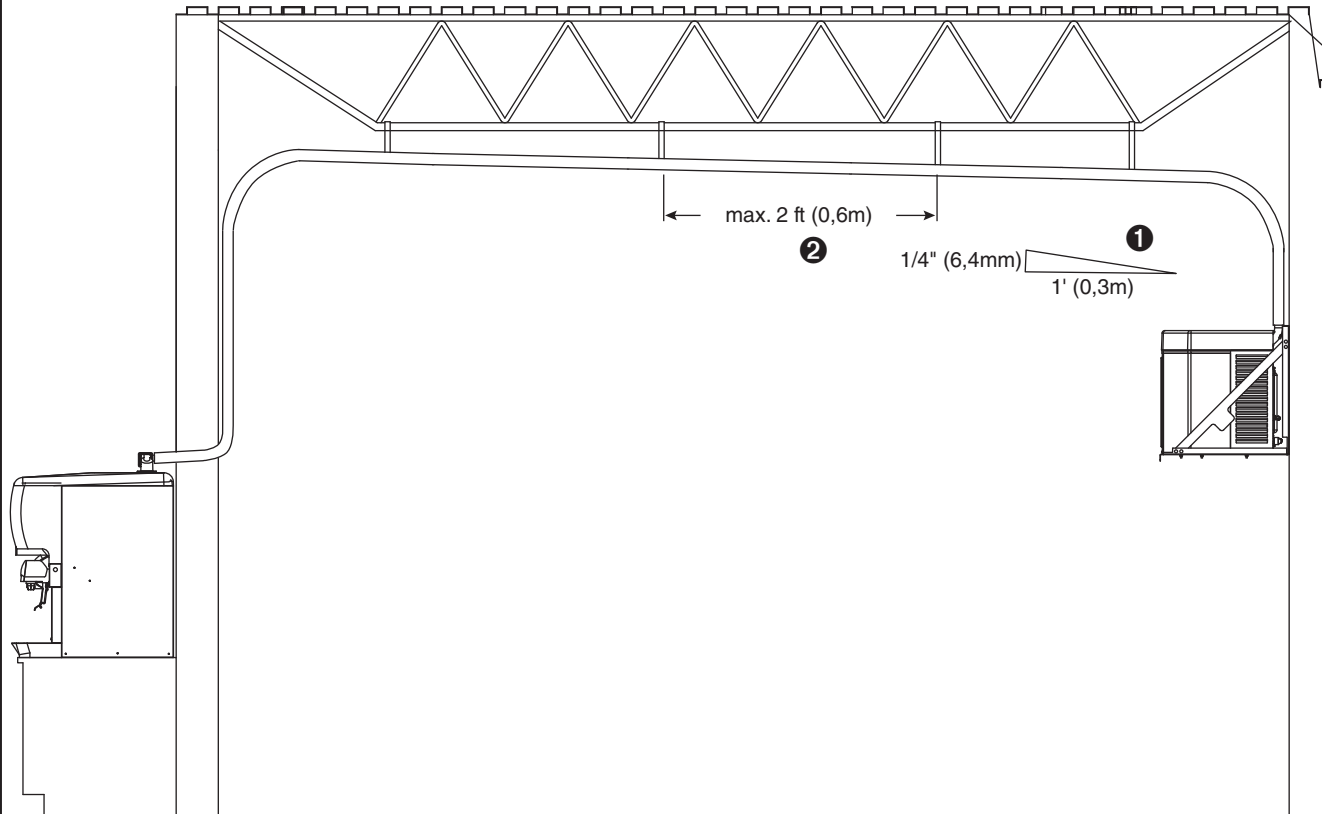
- Slide ice machine cover over machine ensuring that tabs on back of cover slip under louvers on back of louvered docking assembly **1**
- Insert and tighten two screws through cover and into louvered docking assembly **2**

NOTICE

Ice machine MUST be sanitized prior to operation!

Consult Operation and Service Manual provided with ice machine for sanitizing instructions.

Long tube run recommendations



- Pitch ice transport tube to allow melt water to drain towards ice machine ①
- Secure insulated ice transport tube at least every 2 ft (0,6m) to prevent dips or traps ②

Horizon, Maestro, Harmony, Ice Manager, SafeCLEAN, Sani-Sponge, RIDE and Vision are trademarks of Follett Corporation.
Chewblet is a registered trademark of Follett Corporation, registered in the US.



801 Church Lane • Easton, PA 18040, USA
Toll free (877) 612-5086 • +1 (610) 252-7301
www.follettice.com



00159889R07
3/12