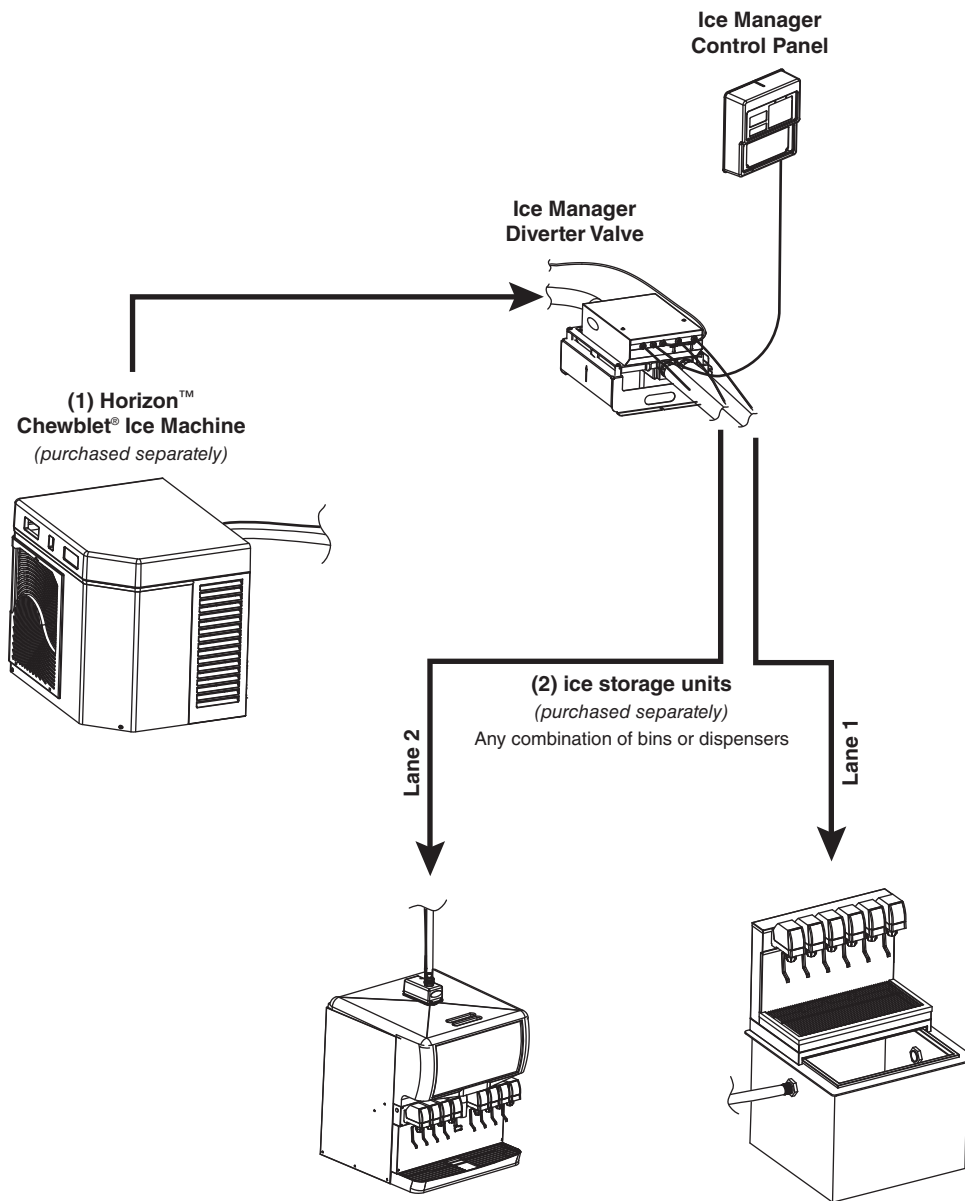


Horizon™ Ice Machine Models with RIDE™ Technology Installation Instructions for Ice Manager™ Diverter Valve

HCC1000AMS, HCC1400AMS, HCC1000WMS, HCC1400WMS,
(See model number configurator on page 2 for details.)

Order parts online
www.follettice.com



Chewblet® Ice Machine Model Number Configurations

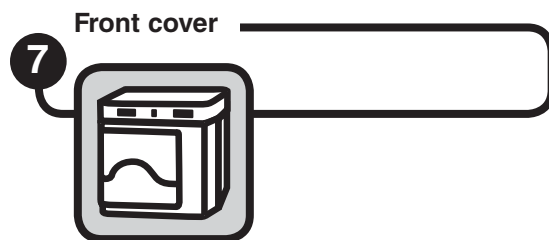
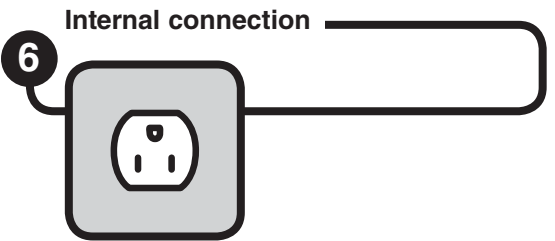
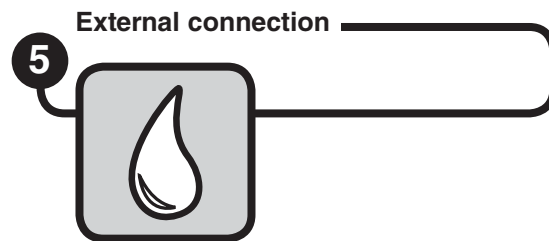
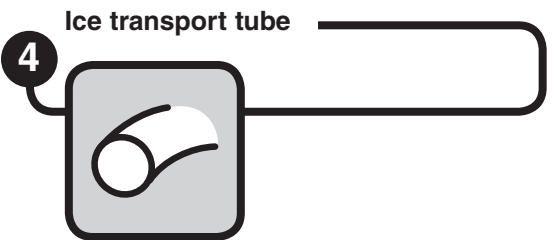
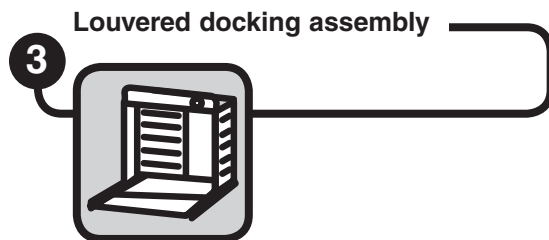
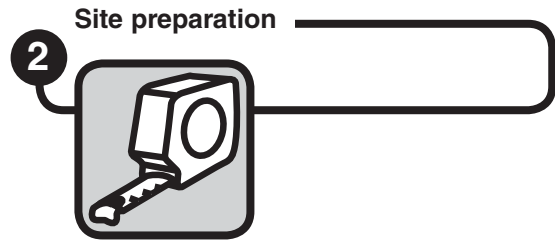
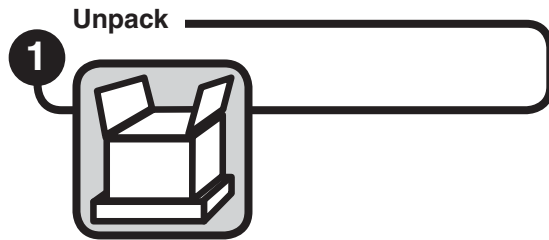
HC
C
1000
A
V
S

| Icemaker | Voltage | Series | Condenser | Application | Configuration |
|--|---|-----------------------------------|--|--|--|
| MC Maestro Chewblet (400 Series) | C 208-230/60/1 (icemaking head) <i>Self-contained only.</i> | 400 up to 454 lbs (206kg) | A Air-cooled, self-contained | V Vision™ | S RIDE™ |
| | D 115/60/1 (icemaking head) <i>Self-contained and remote.</i> | | W Water-cooled, self-contained | H Harmony™ | (RIDE remote ice delivery equipment) |
| HC Horizon Chewblet (1000, 1400, 1650 Series) | If remote unit, high side is 208-230/60/1. | 1000 up to 1036 lbs (471kg) | R Air-cooled, remote condensing unit | B Ice storage bin | T Top-mount |
| | E 230/50/1 (icemaking head) <i>Self-contained only.</i> | 1400 up to 1450 lbs (658kg) | N Air-cooled, no condensing unit for connection to parallel rack system | J Drop-in | |
| HM Horizon Micro Chewblet | F 115/60/1 (icemaking head) <i>Remote only. High side is 208-230/60/3.</i> | 1650 up to 1580 lbs (717kg) | | M Ice Manager™ diverter valve system | |

Horizon ice machine for use with Ice Manager diverter valve system

The Ice Manager diverter valve system delivers ice to two ice storage units enabling a single Follett Horizon ice machine to meet demand for ice at two locations. The system's sensors monitor ice levels in each storage unit and automatically switch ice delivery to the appropriate location.

After thorough review of Ice Manager site survey, read and complete Horizon ice machine installation sections 1 through 6.



For connection to Ice Manager diverter valve system refer to Ice Manager installation guide.

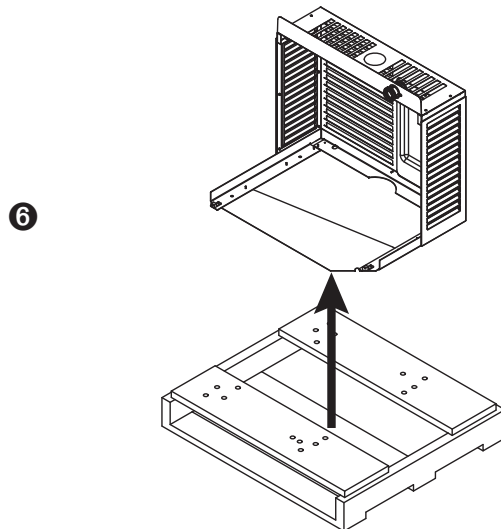
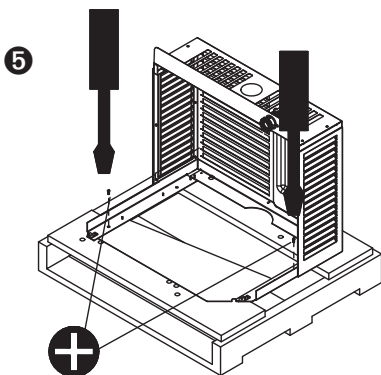
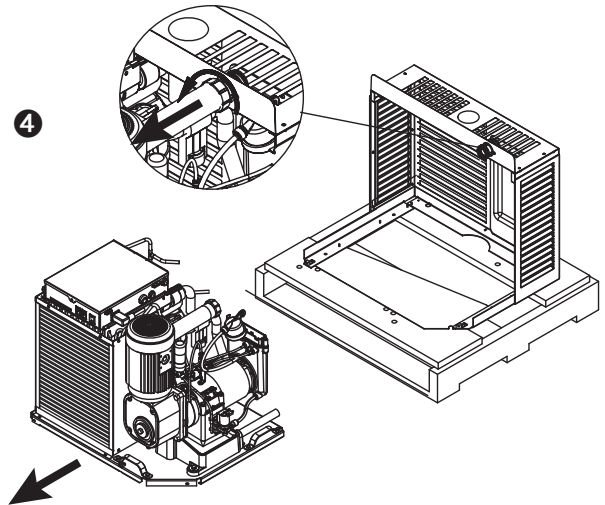
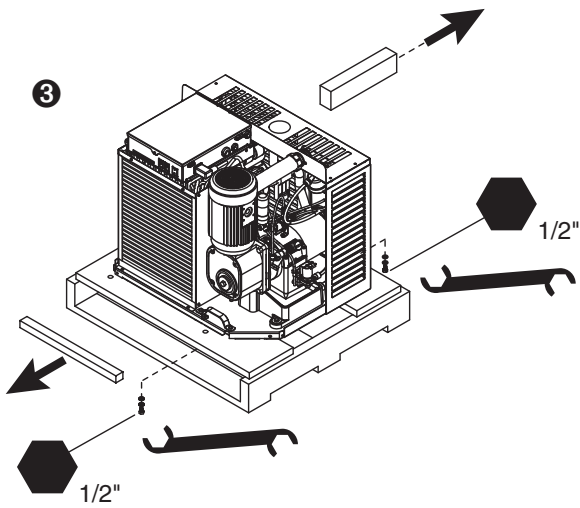
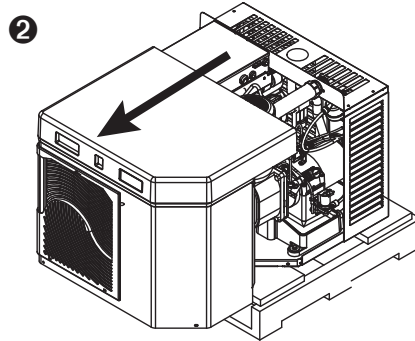
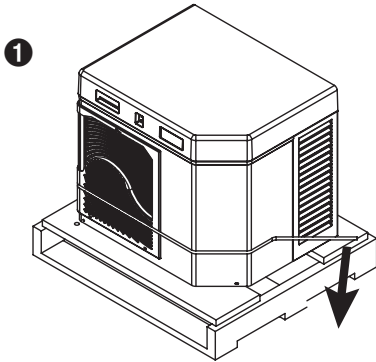
Carefully unpack and inspect the contents of your Follett ice machine.

Unpack

1

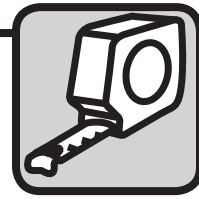


1.1 Unpack ice machine

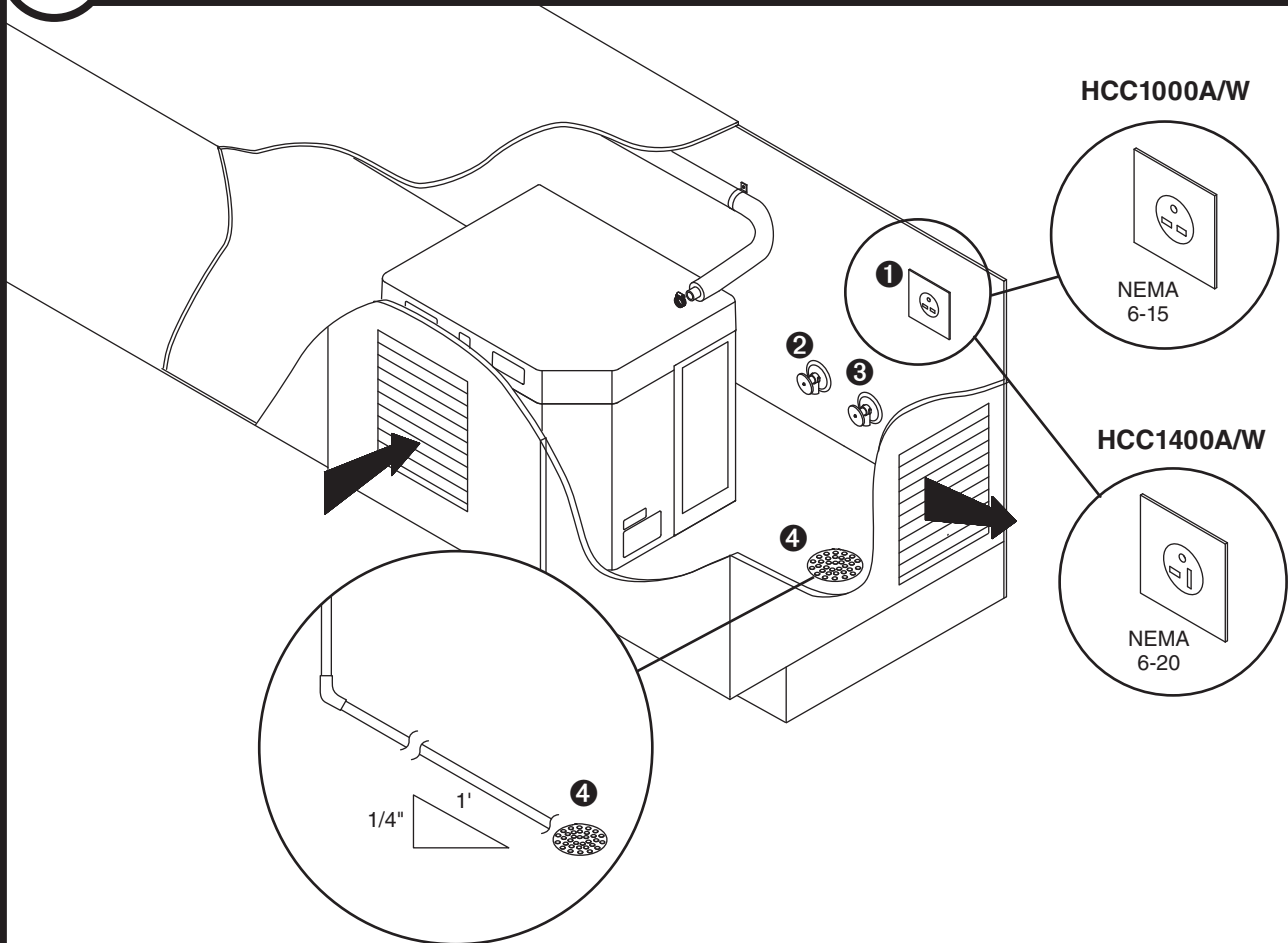


Prepare the installation site.

Provide drainage, water supply and electrical power to within 6 feet (2m) of ice machine in accordance with local and national codes. Outdoor installation is not recommended and will void warranty.



2.1 Installation site requirements



Electrical ①

- HCC1000(A/W)MS 208-230/60/1-15 amps
- HCC1400(A/W)MS 208-230/60/1-20 amps

Potable water supply ②

- 10-70 psi (69-483kpa)
- 45 to 90 F (7 to 32 C)
- Follett recommends the use of an in-line water filtration system (item# 00130286)

Condenser water supply for water-cooled systems ③

- 10 psi min.; 150 psi max. (69kpa min.; 1034kpa max.)
- 45 to 90 F (7 to 32 C)
- 1.5 gallons per minute (5.68 liters per minute)

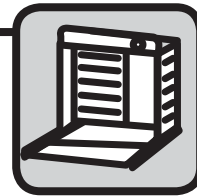
Drain ④

- The drain line from the ice machine must have at least 1/4" per foot pitch (6,4mm/0,3m)

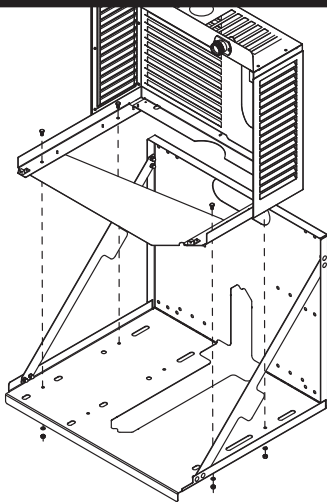
Install the louvered docking assembly.

⚠ WARNING

- Docking station must be secured in accordance with these instructions to ensure ice machine stability.
- Ventilation openings in the louvered docking station should be clear of obstruction

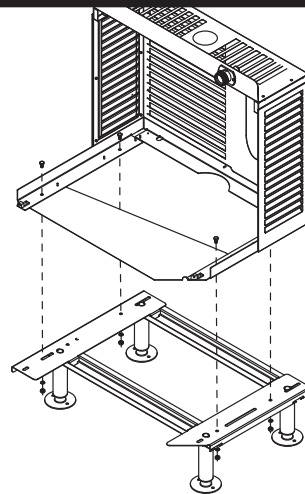


Wall bracket accessory



- Mount louvered docking assembly to wall bracket accessory

Machine stand accessory



- Mount louvered docking assembly to machine stand accessory

3.1 Undercounter installation requirements Horizon 1000 & 1400 series

DOCKING STATION: Horizon 1000 & 1400 water- and air-cooled models

(See detail drawing on page 7)

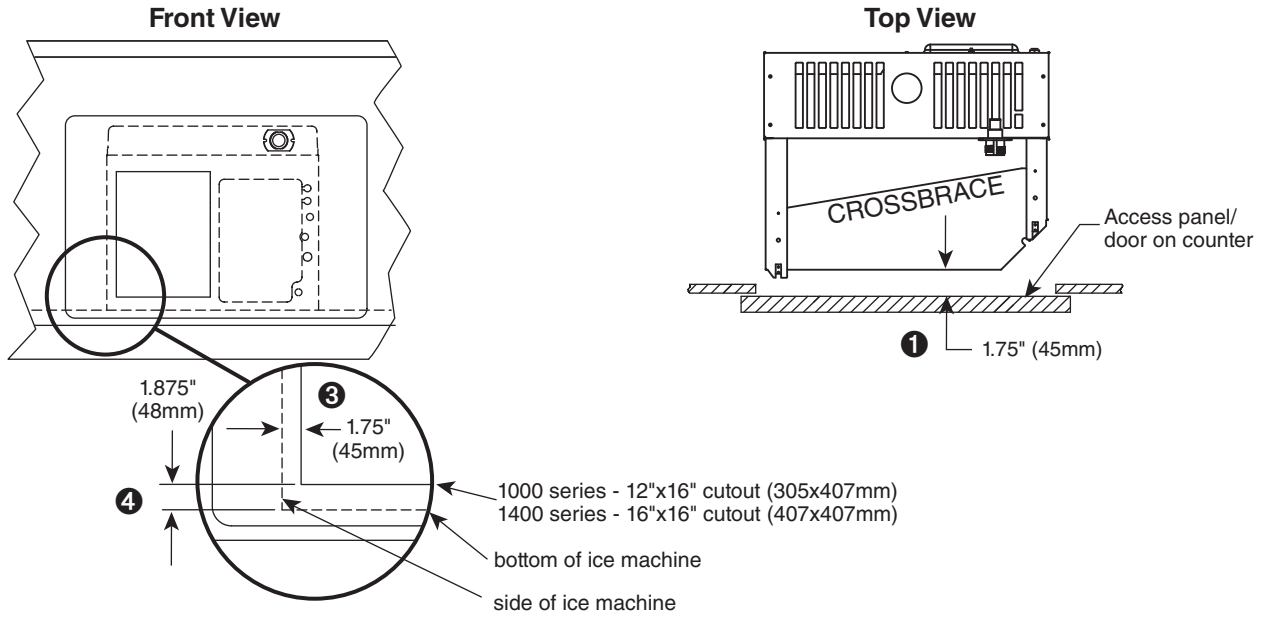
- Position and screw louvered docking assembly to the bottom of counter inside of access panel/door 1.75" (45mm) from the front edge of the cross brace ❶
- The mounting surface for the louvered docking assembly must be solid. Do not mount directly onto runners or channels.
- There must be no lip or edge that would hinder the ice machine from sliding in or out of the louvered docking station ❷

INTAKE AND EXHAUST GRILLE PLACEMENT: Horizon 1000 & 1400 air-cooled models only

(See detail drawing on page 7)

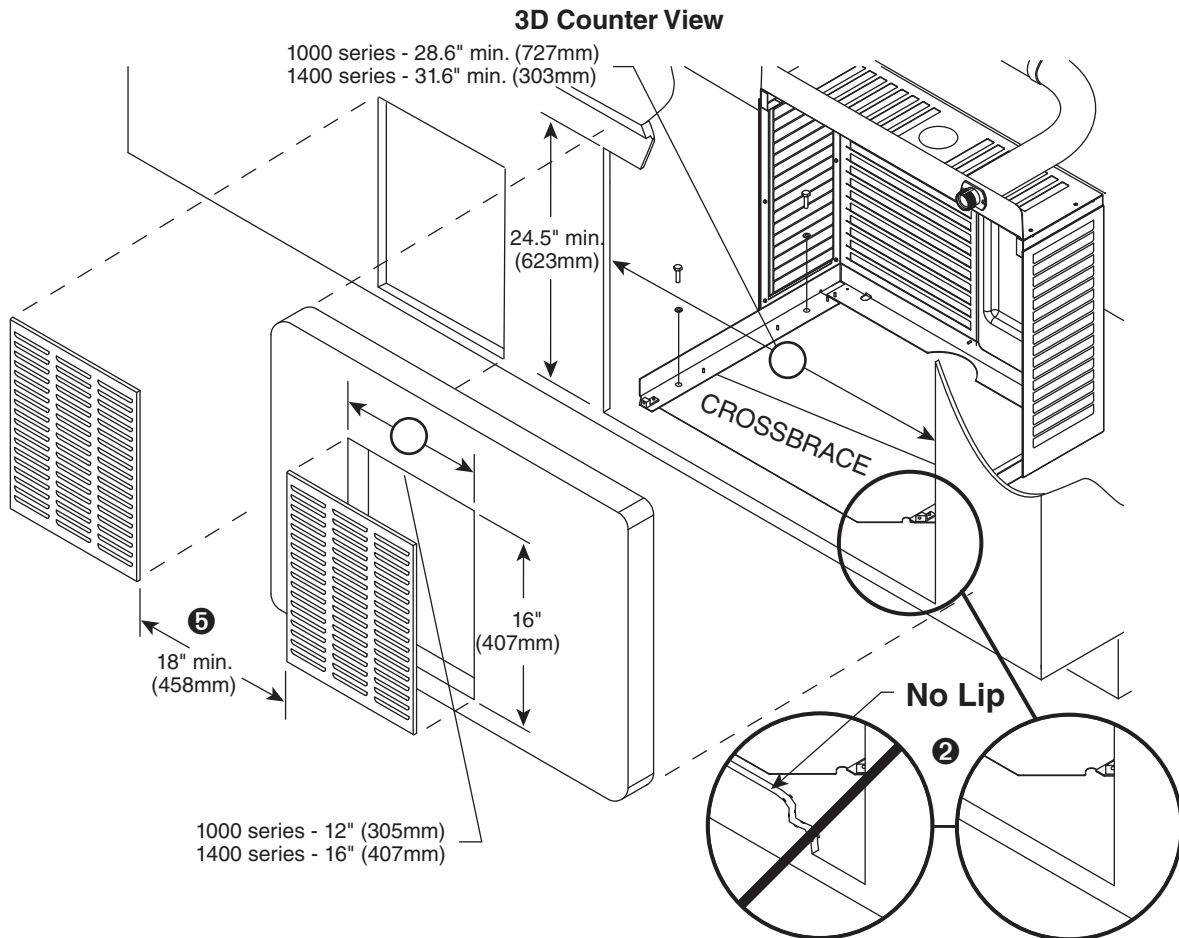
- Position the intake grille cut out in the access panel/door
 - Note:** Ice machine must be aligned with cut out and inside of access panel to provide a tight seal and prevent recirculation of hot exhaust air.
- Left edge of cutout should be 1.75" (45mm) from the left side of the ice machine ❸
- Bottom edge of cutout should be 1.875" (48mm) from the bottom of the ice machine ❹
- Position supplied exhaust grille at least 18" (458mm) away from intake grille ❺. Where possible, install exhaust grille to the rear or side of the base cabinet.
- If not using supplied grille, air circulation requirements below must be met:
 - 1000 series: 150 sq. in (967 sq. cm) intake air, 150 sq. in (967 sq. cm) exhaust air
 - 1400 series: 175 sq. in (1129 sq. cm) intake air, 175 sq. in (1129 sq. cm) exhaust air

Undercounter installation detail – Horizon 1000 & 1400 series



⚠ CAUTION

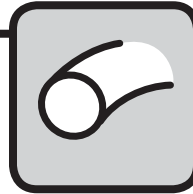
- Keep ventilation openings in the appliance enclosure clear of obstruction.
- To ensure proper ventilation (if not using supplied grille) carefully review air circulation specifications on facing page (3.1)



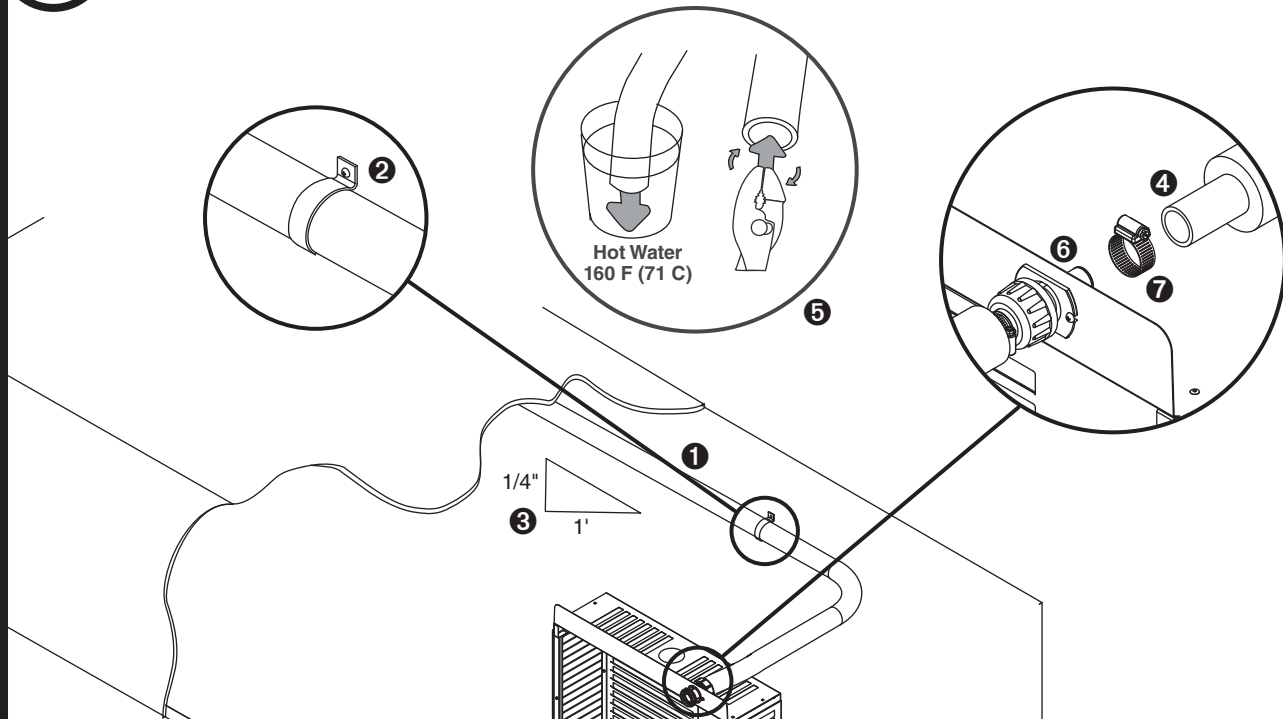
Install the ice transport tube.

Ice transport tube

4



4.1 Ice transport tube installation.



Ice transport tube tips

- Insulate entire length of ice transport tube ①
- Secure ice transport tube ② as needed to prevent dips and traps from forming. For long tube runs see guide on page 15.
- Pitch tube at least 1/4" per foot (6,4mm/.3m) ③
- Ice transport tube must drain towards ice machine

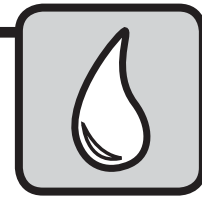
Ice transport tube to Ice machine

- Be sure tube ends are square ④
- Heat end of transport tube in cup of 160 F (71 C) hot water to soften and spread with pliers ⑤ before making connection to ease assembly
- Push ice transport tube onto ice machine nipple ⑥
- Install hose clamp ⑦

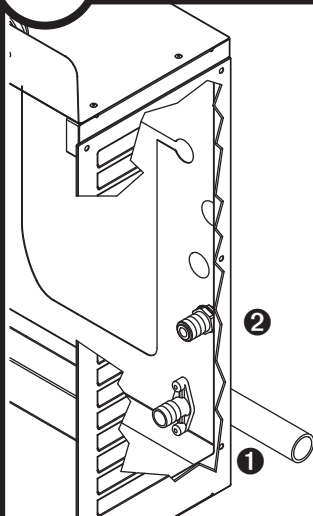
Ice transport tube to diverter valve

- See Ice Manager diverter valve instructions

Connect utilities to louvered docking assembly.

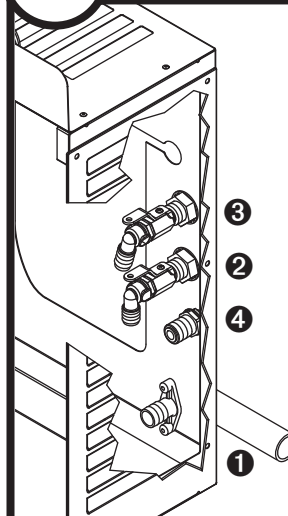


5.1 Air-cooled ice machines only



- Remove access panel if necessary
- Install drain line ①.
The rigid drain line from the ice machine must have at least 1/4" per foot pitch (6,4mm/0,3m).
- Install ice machine potable water supply ②
- Replace access panel

5.2 Water-cooled ice machines only

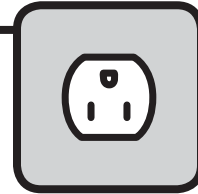


- Remove access panel if necessary
- Install drain line ①.
The rigid drain line from the ice machine must have at least 1/4" per foot pitch.
- Connect cooling water supply ② and return ③
- Install ice machine potable water supply ④
- Replace access panel

Connect louvered docking assembly to ice machine.

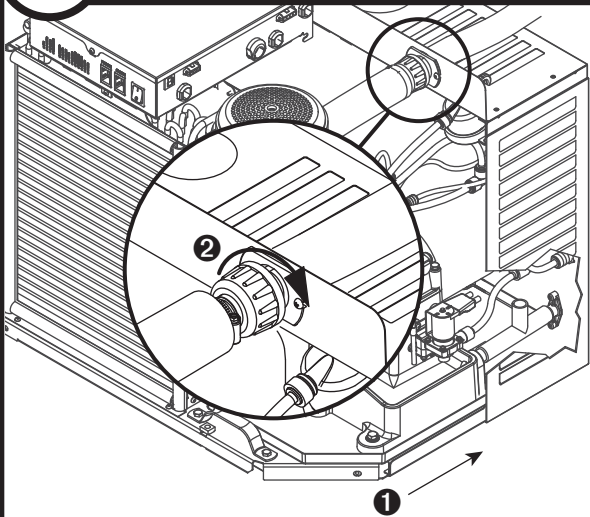
CAUTION

- Plug must be accessible after final installation.



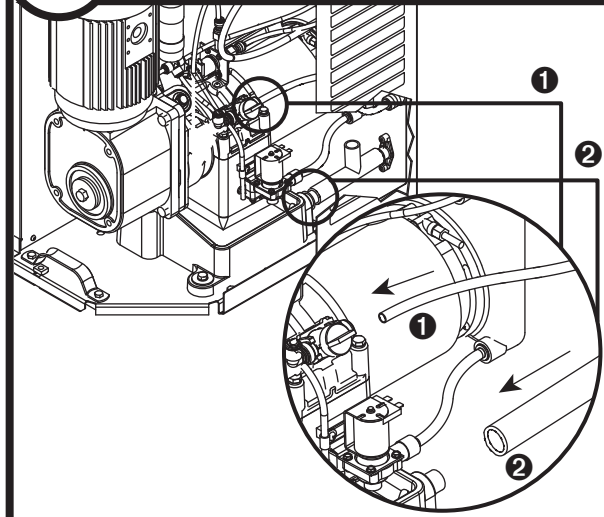
Air-cooled ice machines – follow steps 6.1 through 6.4.

6.1 Ice transport tube



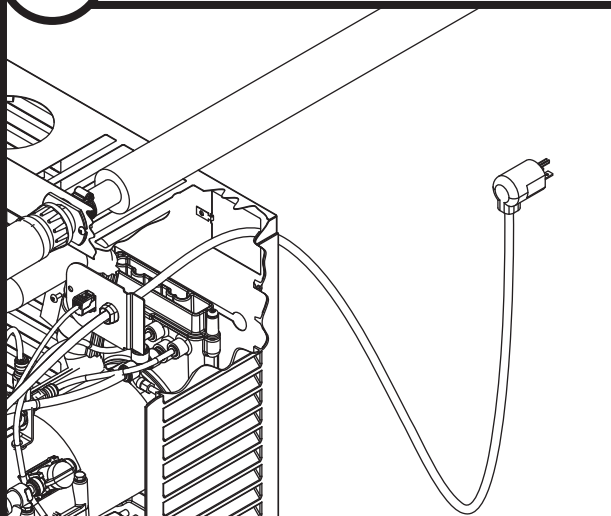
- Slide ice machine into louvered docking assembly **1**
- Insert ice transport tube all the way into coupling and tighten nut firmly **2**

6.2 Potable water and drain lines



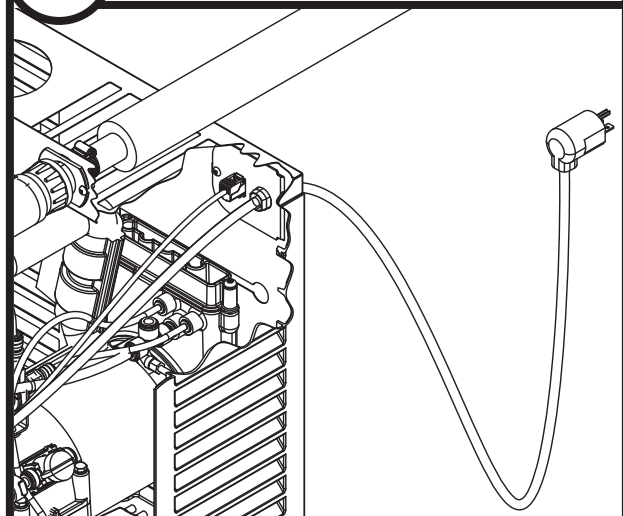
- Insert potable water line into valve **1**
- Push drain line over hose barb on back of evaporator mount **2**

6.3 Power cord



- Remove twist tie
- Carefully pass plug thru opening and plug into wall outlet

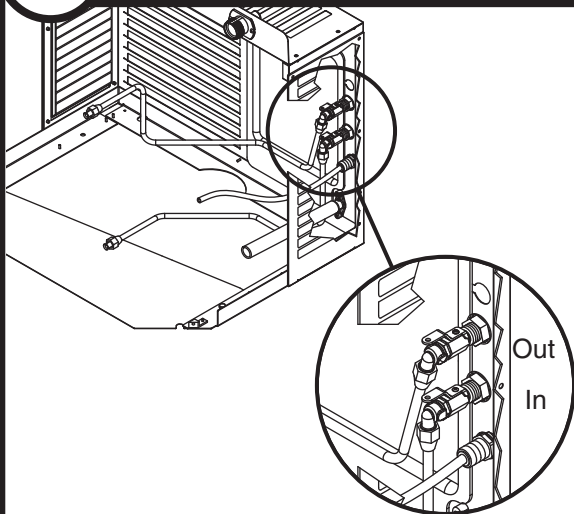
6.4 Power cord



- Position plate into opening and secure with supplied screw

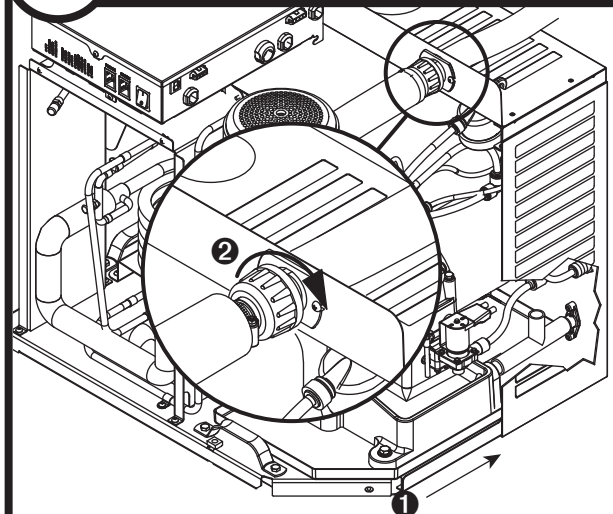
Water-cooled ice machines – follow steps 6.5 through 6.10.

6.5 Cooling lines



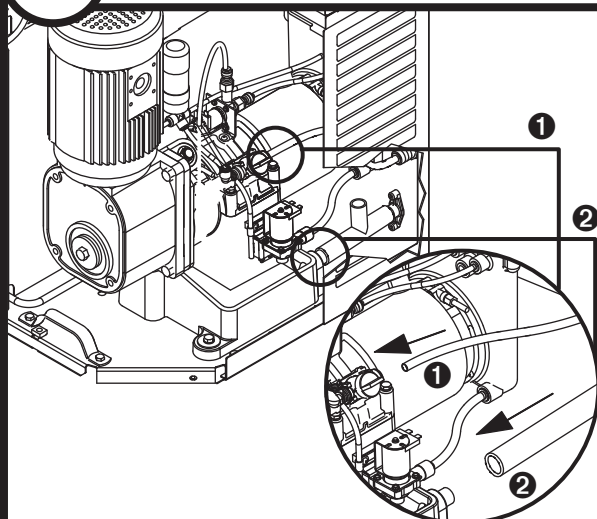
- Install ice machine cooling water lines to louvered docking assembly

6.6 Ice transport tube



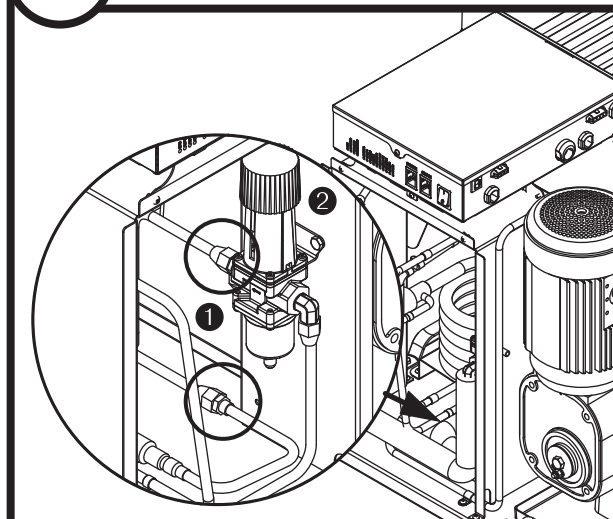
- Slide ice machine into louvered docking assembly ①
- Insert ice transport tube into coupling and tighten nut firmly ②

6.7 Potable water and drain lines



- Insert potable water line into valve ①
- Push drain line over hose barb on back of evaporator mount ②

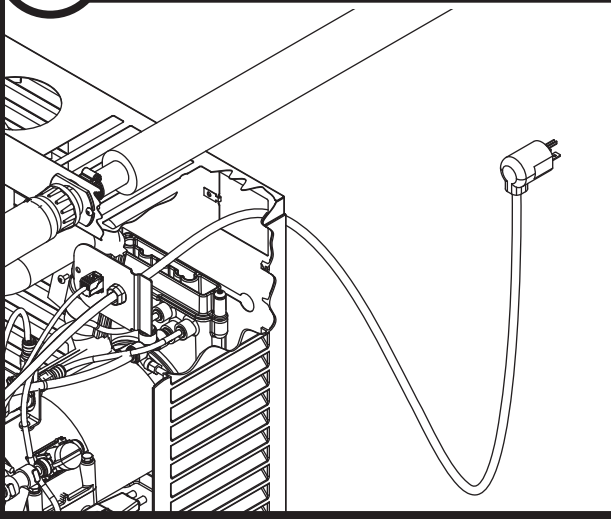
6.8 Cooling lines and power



- Connect cooling water lines to ice machine ①
- Water valve is set at the factory. **DO NOT** remove seal or adjust water valve ②

6.9

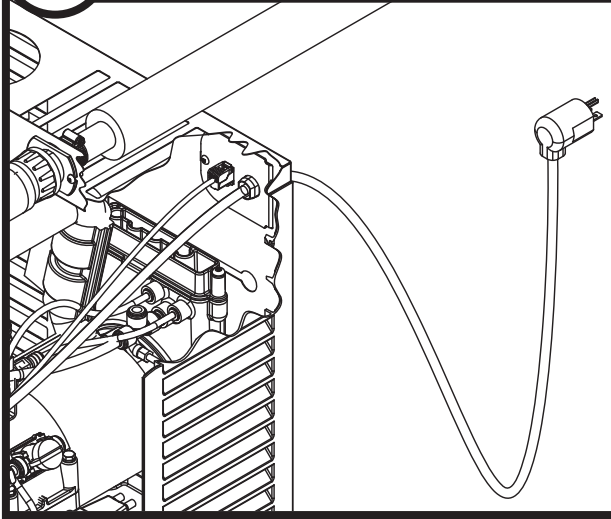
Power cord



- Remove twist tie
- Carefully pass plug thru opening and plug into wall outlet

6.10

Power cord



- Position plate into opening and secure with supplied screw

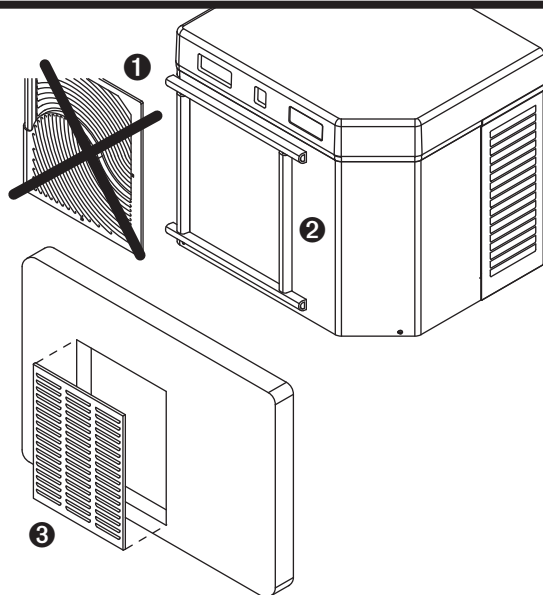
Install front cover to ice machine.

Front cover

7



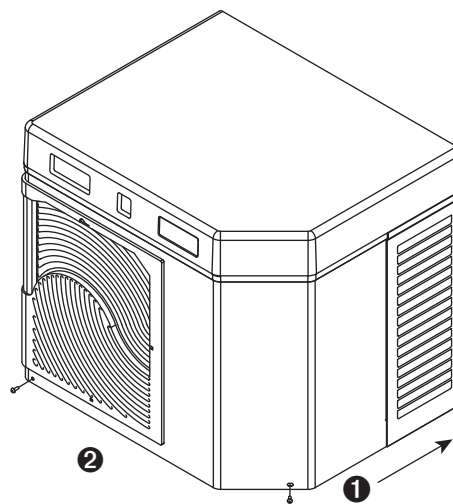
Front cover installation – undercounter



CAUTION

- Keep ventilation openings in the appliance enclosure clear of obstruction.
- To ensure proper ventilation (if not using supplied grille) carefully review air circulation specifications in section 4.1
- Remove and discard plastic grille ①
- Apply supplied gasket material around entire opening on skin to prevent air recirculation ②
- Attach supplied metal grille to opening in counter door (see section 4.1) ③

Normal front cover installation



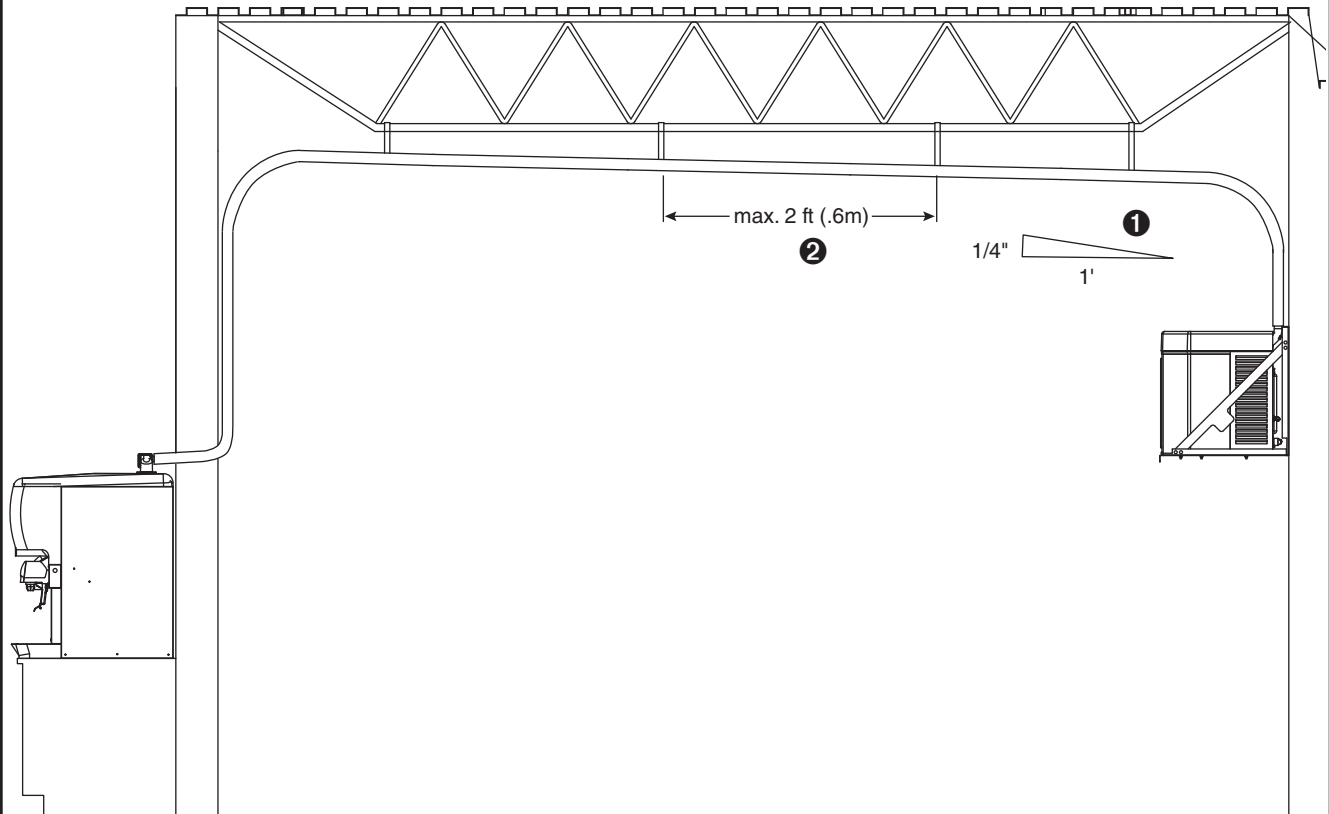
- Slide ice machine cover over machine ensuring that tabs on back of cover slip under louvers on back of louvered docking assembly ①
- Insert and tighten two screws through cover and into louvered docking assembly ②

NOTICE

Ice machine MUST be sanitized prior to operation!

Consult Operation and Service Manual provided with ice machine for sanitizing instructions.

Long tube run recommendations



- Pitch ice transport tube to allow melt water to drain towards ice machine ①
- Secure insulated ice transport tube at least every 2 ft (.6m) to prevent dips or traps ②

Horizon, Maestro, Harmony, Ice Manager, SafeCLEAN, Sani-Sponge, RIDE and Vision are trademarks of Follett Corporation.
Chewblat is a registered trademark of Follett Corporation, registered in the US.



801 Church Lane • Easton, PA 18040, USA
Toll free (877) 612-5086 • +1 (610) 252-7301
www.follettice.com



00172528R05
3/12