

Installation Instructions

Theory of operation

On power-up, the ice machine will make ice normally until the bin is full and then enter a normal time delay for 1 hour. At the end of time delay, the machine will begin monitoring the height of the ice pile using a thermostat. If the ice pile has fallen more than 7 inches from the top of the bin, the machine will immediately enter MAKING ICE mode. If the pile has fallen less than 7 inches the TIME DELAY LED will go off and the SLEEP CYCLE LED will light.

Once the pile has fallen 7 inches, the machine will exit sleep mode and immediately enter MAKING ICE mode.

If the pile does not fall 7 inches after 12 hours, the machine will enter MAKING ICE mode to ensure the bin is topped off.

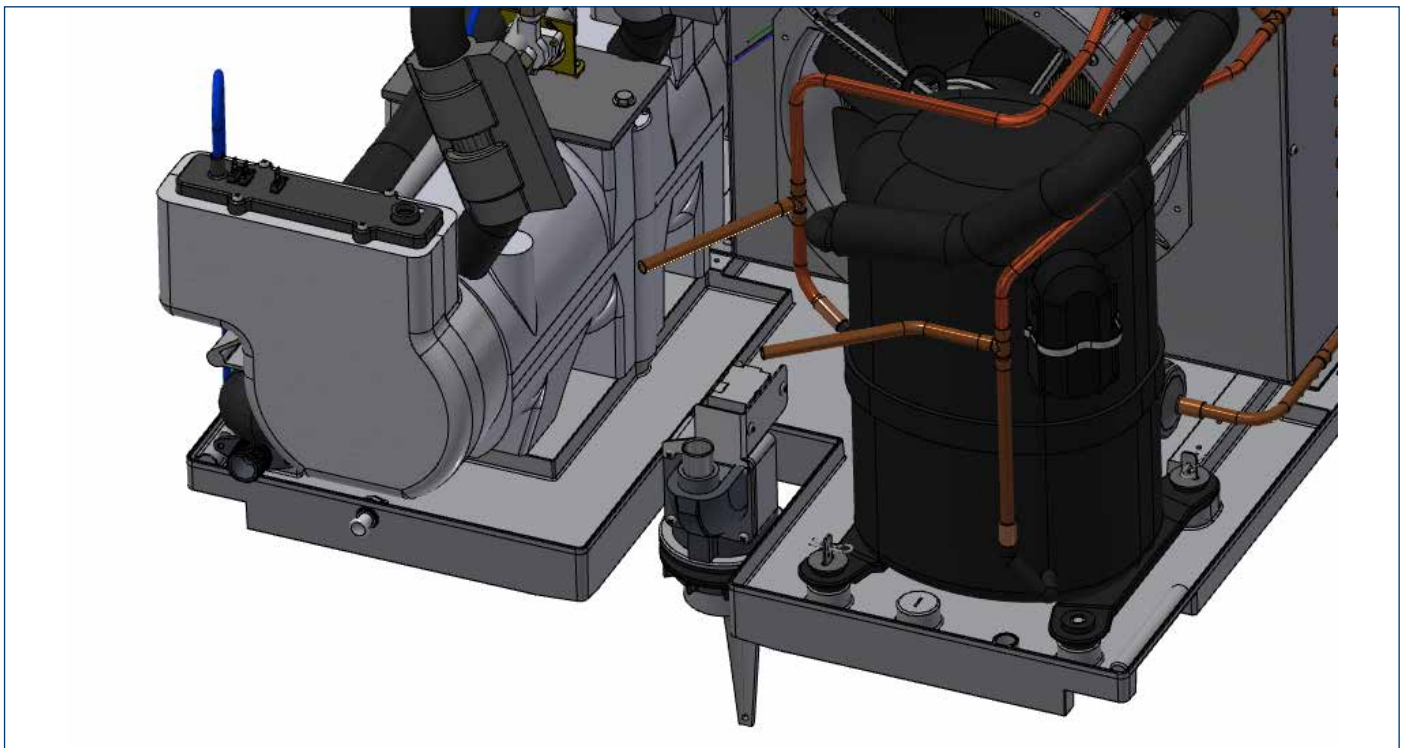
Before you begin

System must be installed in accordance with all applicable federal, state, and local regulations.

If you experience any problems during the installation, please call Follett Technical Service toll-free at (877) 612-5086 for assistance.

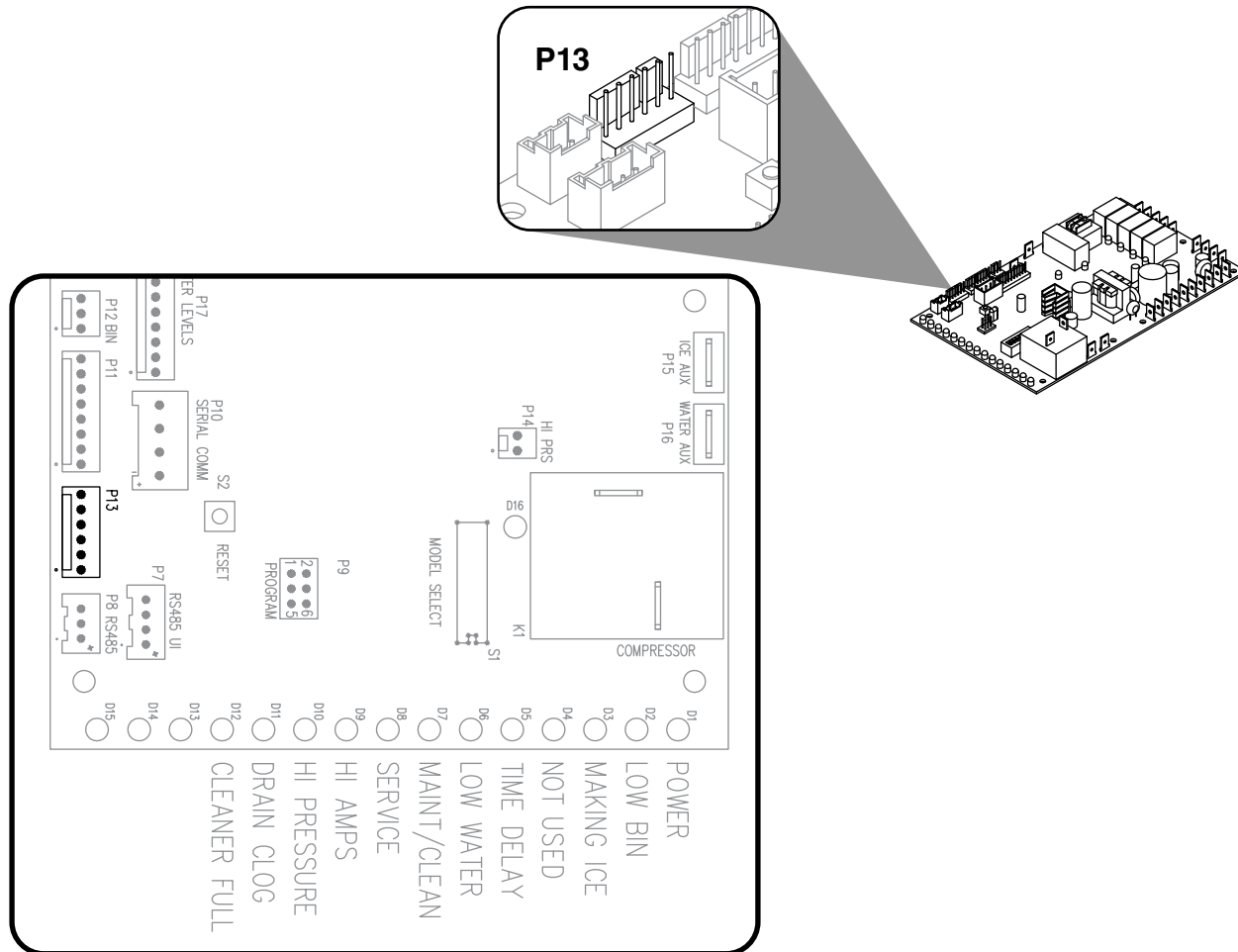
Materials supplied

- 1x 10 ft cable with connectors for control board (6-pin)
- Shuttle Actuator Sleep Cycle assembly



Procedure

1. System must be installed in accordance with all applicable federal, state, and local regulations.
2. Remove the ice transport tube from the existing shuttle actuator.
3. Remove the 3 inch ring from the interior of the bin and remove the shuttle actuator assembly.
4. Install the new sleep cycle shuttle assembly (tighten 3 inch ring and install ice transport tube).
5. Route the thermostat cable with the 6-pin connector into the electrical box through the strain relief.
6. Land the 6-pin connector on the board at the P13 terminal. Ensure that the connector is fully seated.



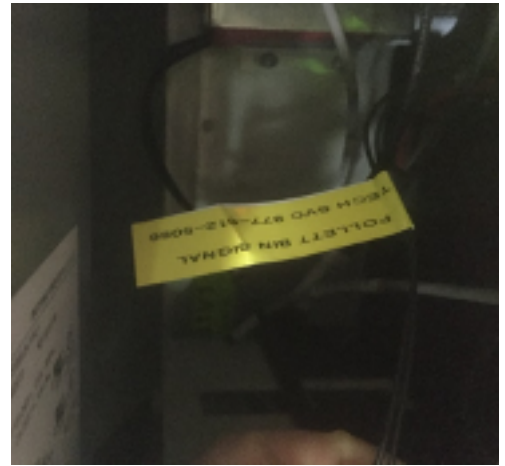
7. Gather any excess cable, coil and zip tie to hide from customer view.

Fig. 1



8. Ensure that the cable is labeled with the “Follett Bin Signal” tag included in the kit.

Fig. 2

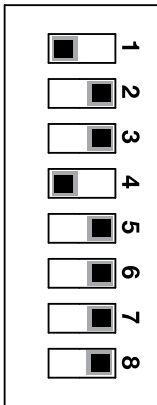


Set the DIP switches to enable the Sleep Cycle feature

Enabling the Sleep Cycle will allow the machine to remain off until the ice pile has fallen 7 inches below the bin top or a maximum time of 12 hours has elapsed.

1. Locate the dip switches on the control board.
2. Set dip switches as follows to enable the Sleep Cycle:

OFF ON



3. Reset ice machine by holding the reset button located on the control board for 5 seconds for the new settings to take effect.

Follett is a registered trademark of Follett Products LLC, registered in the US.



801 Church Lane • Easton, PA 18040, USA
Toll free (877) 612-5086 • +1 (610) 252-7301
www.follettice.com

01478577R01
© Follet Products, LLC 2/23