

# Symphony Plus™ ice and water dispenser

C 12 CI series countertop with Chewblet® ice machine



Shown with SensorSAFE™



## Features

Narrow, 40.9 cm (16.12") width

5.4 kg (12 lb) ice storage capacity

Integral air-cooled ice machine with up to 186 kg (410 lb) daily production of Chewblet ice

- soft, chewable, compressed nugget ice is preferred over cubes<sup>1</sup> and is ideal for patient care
- Quiet Night™ sleep mode turns off ice machine when idle

## Designed with sanitation in mind

- automatic self-flushing of ice machine removes impurities
- drain cup provides internal air gap for added protection of food zone components from drain line contaminants
- Agion® silver-based antimicrobial provides protection of key ice and water contact components<sup>2</sup>
- one-hand lever or SensorSAFE infrared ice dispense

## Dependable design, easy to service and clean

- cleaning and sanitizing of entire machine takes only 1 hour
- LED control board provides at-a-glance machine status
- panels are easily removed for accessibility to all components
- ice machine parts are common across all Symphony Plus dispensers
- stainless steel evaporator and auger deliver long life

## Environmentally responsible

- continuous ice making process uses less electricity and water

## Durable, attractive dispenser

- stainless steel cabinet with accent trim
- poly drain pan, grille and dispenser lid are corrosion-resistant

## Easy installation

- comes fully assembled and installs with three easy connections – electric, water and drain

## Warranty

- 3 years parts and labor, 5 years compressor parts<sup>3</sup>

## Accessories

Base stand with or without factory installed water filter (refer to form# 7010)

10.16 cm (4.00") leg kit (item# AF10LBLEGS)

Pressurized water sanitizing kits (refer to form# 1068)

Water filters (refer to form# 1058)

Additional Symphony Plus accessories (refer to price list)

## SensorSAFE infrared dispense



SensorSAFE not recommended for use with clear containers or for applications in direct sunlight

Model configurations				
Ice storage capacity	Configuration	Dispense	Ice machine cooling	Item number
<b>5.4 kg (12 lb)</b>	ice and water	Lever	air	<b>C12CI425A-L</b>
	ice-only	Lever	air	<b>C12CI425A-LI</b>
	ice and water	SensorSAFE	air	<b>C12CI425A-S</b>
	ice-only	SensorSAFE	air	<b>C12CI425A-SI</b>

Ice production		
Temperatures air/water	21/10 C (70/50 F)	32/21 C (90/70 F)
Air-cooled	186 kg (410 lb)	140 kg (310 lb)
Energy consumption per 45.4 kg (100 lb) ice	N/A	6.0 kWh air-cooled
Water consumption	45.4 L (12.0 gal) of potable water per 45.4 kg (100 lb) of ice	

Mokry Dwór 26C 83-021 Wiślina, Poland  
+48 (58) 785-6140 | Fax: +48 (58) 785-6159  
folletteurope.com

801 Church Lane | Easton, PA 18040, USA  
1.610.252.7301 | Fax: +1.610.250.0696 | follettice.com

**FOLLETT®**

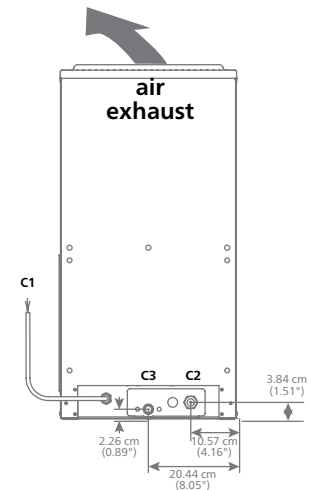
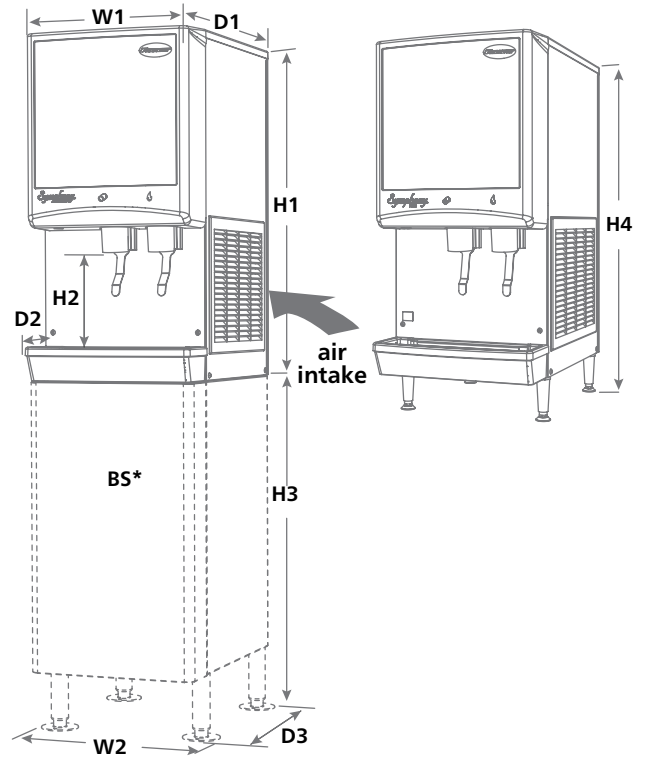
## Specification

Ice storage capacity	5.4 kg (12 lb)
<b>W1</b> Width	40.9 cm (16.12")
<b>W2</b> Width, base stand accessory	44.4 cm (17.50")
<b>D1</b> Depth, entire dispenser	59.7 cm (23.50")
<b>D2</b> Depth, drain pan	13.97 cm (5.50")
<b>D3</b> Depth, base stand accessory	55.9 cm (22.00")
<b>H1</b> Height, dispenser	82.6 cm (32.50")
<b>H2</b> Dispense height clearance	23.83 cm (9.38")
<b>H3</b> Height, base stand accessory	83.8 cm (33.00")
<b>H4</b> Height, leg kit accessory	93.1 cm (36.64")
Ventilation clearance	15.24 cm (6.00") top and right side
Service clearance	30.5 cm (12.00") top
Utility connection location	through back or bottom
<b>C1</b> 220 V/60/1 electrical	5.5 amps, 0.8 kW 2.4 m (8') cord only
<b>C2</b> Potable water inlet	3/8" FPT
<b>C3</b> Drain	3/4" MPT
Ice production at 70 F (21 C) air, 50 F (10 C) water	186 kg (410 lb)
Ice production at 90 F (32 C) air, 70 F (21 C) water	141 kg (310 lb)
Heat rejection	5000 BTU/hr
Air temperature	10 - 38 C (50 - 100 F)
Water temperature	7 - 32 C (45 - 90 F)
Potable water pressure	69 - 483 kpa (10 - 70 psi)
Refrigerant	R404a
Approximate net weight	65 kg (144 lb)
Approximate ship weight	90 kg (199 lb)
Approximate ship weight, base stand accessory	36 kg (80 lb)

NOTE: For indoor use only

SHORT FORM SPECIFICATION: (Choose one) \_\_\_\_\_ Ice and water or \_\_\_\_\_ ice-only dispenser to be Follett® automatic load in countertop configuration, with 5.4 kg (12 lb) of storage and separate ice and water chutes. Air-cooled ice machine to produce Chewblet ice. Ice machine equipped with automatic self-flushing and Quiet Night sleep mode. Dispenser to have automatic bin level control to start and stop ice machine. Storage area to be insulated with CARB compliant non-HFC foam. 2.4 m (8') cord only. NSF listed.

## Dimensional drawing



**BS\*** – Base stand sold separately; measurements shown are with base stand legs at lowest position.  
See dispenser detail sheet, form# 6675, for counter cut outs.

<sup>1</sup> Independent third party studies. Contact Follett for details.

<sup>2</sup> Disclaimer: Antimicrobial protection is limited to the treated components and does not treat water or ice.

<sup>3</sup> Refer to price list for additional warranty information.

Agion is a registered trademark of Sciesent LLC.

SYMPHONY PLUS, SENSORSAFE and QUIET NIGHT are trademarks of Follett Products, LLC.

CHEWBLET and FOLLETT are registered trademarks of Follett Products, LLC, registered in the US.

Follett reserves the right to change specifications at any time without obligation. Certifications may vary depending on country of origin.

## C 12 CI series countertop

