

Installation Instructions

For full Installation Instructions, please see the literature packaged with the Ice Machine.

Intake/Exhaust Grill Size:

- 710 - 18" x 14" (P/N 00978304)
- 1010/1410 - 24" x 16" (P/N 01080399)

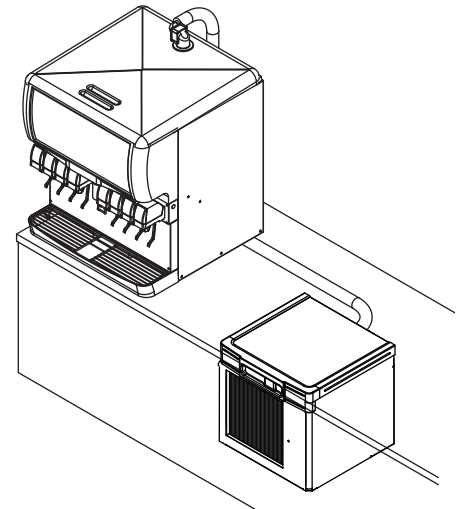
1. Mount Ice Machine

1.1 Ice machine in cabinet

Ice machines can be installed undercounter/in-cabinet to fill bins or dispensers using RIDE technology. Care must be taken to ensure proper cabinet venting to avoid recirculation of hot air. Improper venting can cause ice machine outages.

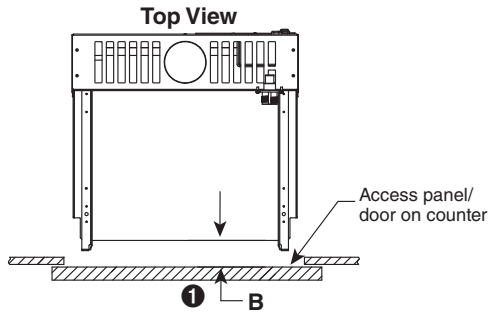
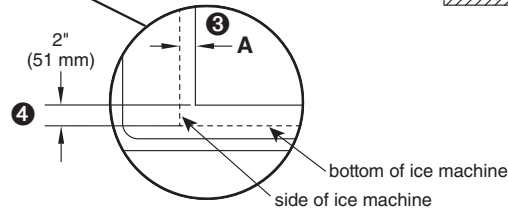
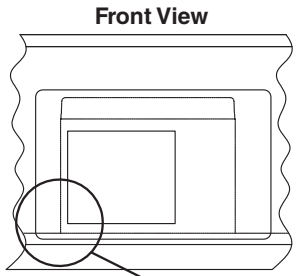
DOCKING STATION: Horizon (See detail drawing on next page)

- Position and screw docking assembly to the bottom of counter inside of access panel/door ❶
1010/1410: 2.25" (57 mm) from the front edge of assembly
710: 3.25" (83 mm) from the front edge of the cross brace
- The mounting surface for the docking assembly must be solid.
Do not mount directly onto runners or channels.
- There must be no lip or edge that would hinder the ice machine from sliding in or out of the docking station ❷



INTAKE AND EXHAUST GRILLE PLACEMENT: Air-cooled models only (See detail drawing on page 9)

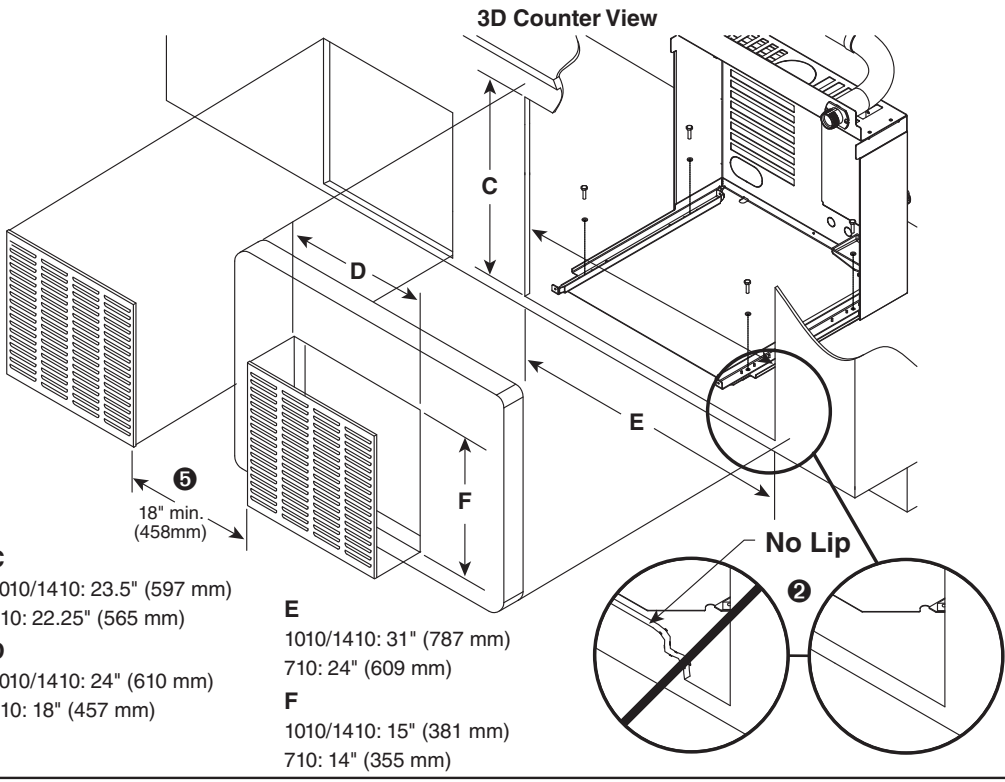
- Position the intake grille cut out in the access panel/door
Note: Ice machine must be aligned with cut out and inside of access panel to provide a tight seal and prevent recirculation of hot exhaust air.
- Left edge of cutout from the left side of the ice machine ❸
1010/1410: 2.25" (57 mm)
710: 2" (51 mm)
- Bottom edge of cutout should be 2" (51 mm) from the bottom of the ice machine ❹
- Position supplied exhaust grille at least 18" (458 mm) away from intake grille ❺.
Where possible, install exhaust grille to the rear or side of the base cabinet.
- If not using supplied grille, air circulation requirements below must be met:
1010/1410: 250 sq. in (1613 sq cm) intake/exhaust air
710: 160 sq. in (1032 sq cm) intake/exhaust air



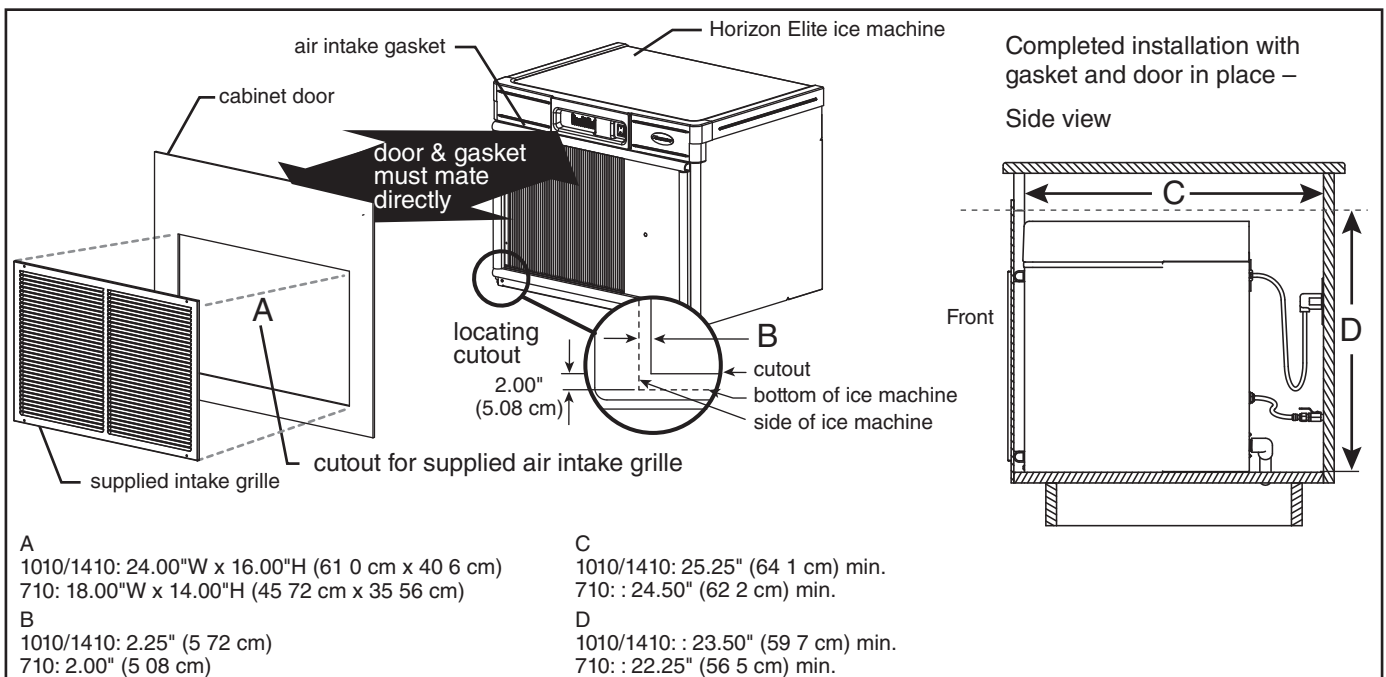
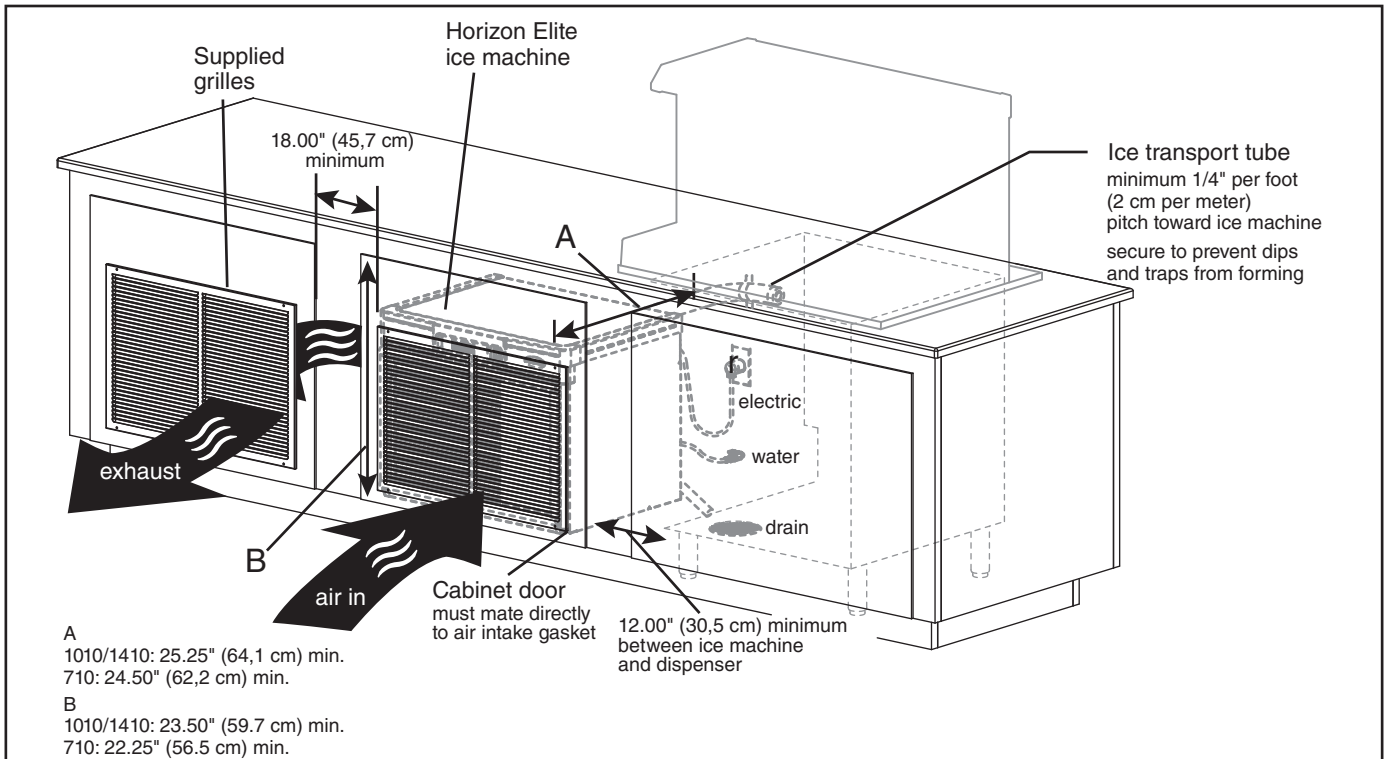
- A**
1010/1410: 2.25" (57 mm)
710: 2" (51 mm)
- B**
1010/1410: 2" (51 mm)
710: 3.25" (82.55 mm)

CAUTION!

- Keep ventilation openings in the appliance enclosure clear of obstruction. Failure to do so could result in damage to equipment.
- To ensure proper ventilation (if not using supplied grille) carefully review air circulation specifications on previous page.



- C**
1010/1410: 23.5" (597 mm)
710: 22.25" (565 mm)
- D**
1010/1410: 24" (610 mm)
710: 18" (457 mm)
- E**
1010/1410: 31" (787 mm)
710: 24" (609 mm)
- F**
1010/1410: 15" (381 mm)
710: 14" (355 mm)

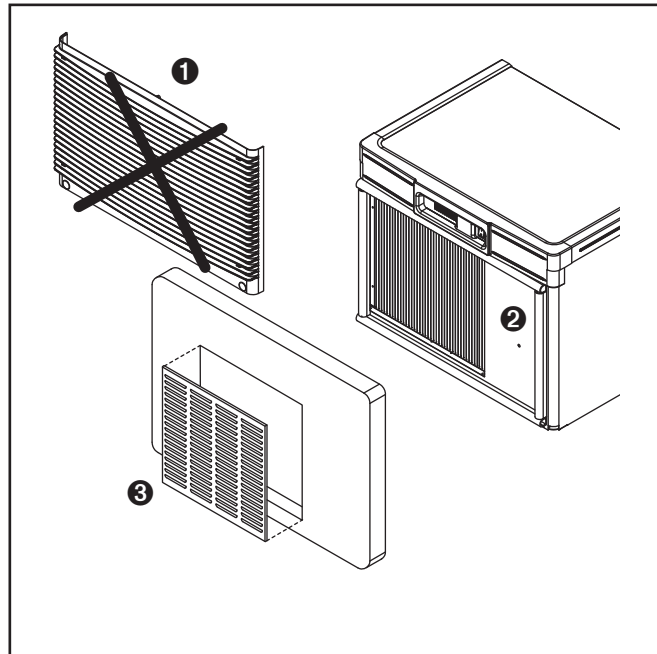


- The supplied exhaust grille must be located at least 18" (46 cm) from the supplied air intake grille (exhaust air must not recirculate with intake air).
- Cabinet interior must be open to allow for unrestricted exhaust air flow.
- Ice transport tube needs minimum 1/4" per foot (2 cm per meter) pitch toward ice machine and should be secured to prevent dips and traps from forming.
- Cabinet door must mate directly to air intake gasket.
- Cabinet interior must provide a minimum clear space of 25.25" deep (64,1 cm) by 23.5" high (59,9 cm) for 1010/1410, and 24.50" deep (62,2 cm) by 22.25" high (56,5 cm) for 710.
- Cutout for supplied grilles must meet minimum size requirements shown above.
- Utilities should be conveniently located as shown.

2. Front Cover

Install front cover to ice machine.

2.1 Install cover - undercounter air-cooled application only



NOTICE!

- Keep ventilation openings in the appliance enclosure clear of obstruction. Failure to do so could result in damage to equipment.
- To ensure proper ventilation (if not using supplied grille) carefully review air circulation specifications in section 4.1

- Remove and discard plastic grille ①.
- Apply supplied gasket material on flat surface of stainless steel portion of front panel to prevent air recirculation ②.
- Attach supplied metal grille to opening in counter door (see section 4.1) ③.

NOTICE!

- Ice machine MUST be sanitized prior to operation!
- Consult Operation and Service Manual provided with ice machine for sanitizing instructions.

Maestro, Vision, Ice Manager, Horizon, Horizon Elite are trademarks of Follett Products, LLC.
Chewblet, RIDE, Follett are registered trademarks of Follett Products, LLC.

FOLLETT®

801 Church Lane • Easton, PA 18040, USA
Toll free (877) 612-5086 • +1 (610) 252-7301
www.follettice.com

01565027R00
© Follett Products, LLC 11/24