

Undercounter freezers

vaccine storage



FZRAC5P-OR-00-00

FZRAC5P-TR-00-00

Model configurations			
Controls	Hinge location ¹	Door configuration	Item number
LED	right	stainless	FZRAC4P-OR-00-00
			FZRAC5P-OR-00-00
7" LCD touchscreen	right	stainless	FZRAC4P-TR-00-00
			FZRAC5P-TR-00-00

¹ As facing the unit.

Options and accessories²

Replacement NTC probe with NIST-traceable certificate of calibration (item# 01077841)

Extra shelf (item# 01059484)

Temperature surveillance module (includes alarm, 8.00" (20.32 cm) chart recorder, remote contacts) (item# 00168674)

Universal ADC-compatible bracket (for all medication dispensing system locks) (item# 01059096)

Glycerine, 16 oz (item# 00959296)

Stacking kit (Performance Plus on Performance Plus) (item# 01054006)

Stacking kit (REF/FZR Series on Performance Plus) (item# 01067172)

Pedestal base, 23.75" wide x 24.00" deep x 17.00" high (60.3 x 61.0 x 43.2 cm), stainless (item# 01059120)

Casters (set of 4 with spacers) (item# 01053636)

Wall mount kit (item# 00153700)

Seismic bracket kit (item# 01059104)

NO/NC dry contacts for connection to remote alarm systems (item# 01092022) (standard on touchscreen model)

Features

Certified to meet NSF 456 standard for vaccine storage

Superior temperature performance

- custom-designed microprocessor temperature controller
- air-cooled refrigeration system with heavy duty 1/4 hp compressor
- environmentally friendly, non-CFC R404a refrigerant
- programmed automatic defrost every 6 hours
- cabinet-wide temperature remains within ± 1 C (1.8 F), even with frequent door openings

Convenience and security

- FZRAC4P fits below 34.00" (86.4 cm) ADA countertops and FZRAC5P fits below 36.00" (91.4 cm) standard countertops without casters
- refrigeration system settings accessed through door-mounted controls
- exterior digital temperature display available in user-programmable C or F with choice of product or air temperature
 - LED on FZRAC4P/FZRAC5P-OR-00-00
 - 7" LCD capacitive touchscreen on FZRAC4P/FZRAC5P-TR-00-00
- ships with certificate of NIST-traceable calibration for alarm probe
- integral event and data logging with easy downloading via convenient USB port on touchscreen models
- user-programmable audible and visual high/low alarms
- mechanical lock – mounted on side of door
- lockable controller so set points cannot be inadvertently changed
- dry (NO and NC) contacts for connection to remote alarm systems (standard on touchscreen model)
- Agion® antimicrobial and UV product protection added to molded plastic façade¹

Durability and serviceability

- stainless steel construction on exterior and interior
- two epoxy-coated wire shelves standard
- back wall evaporator and front ventilation (no top, back or side clearance required)
- heavy-duty edge-mount self-closing hinges
- right-hinged door with integral handle and magnetic gasket door closure provides ease-of-use

Warranty

- 2 year parts and labor
- 5 year compressor parts only
- optional extended one year warranty (item# EW12)
 - 3 year parts and labor
 - 5 year compressor parts only
- optional extended three year warranty (item# EW36)
 - 5 year parts and labor

Certifications (applied to all products unless otherwise noted)



Vaccine Freezer
NSF 456 – E524732
Commercial Refrigerator
SAFETY US/CA – SA12646

¹ Disclaimer: Antimicrobial protection is limited to the plastic façade.

² Certifications do not apply to options and accessories.

Specification

Nominal capacity	FZRVAC4P – 3.9 cu ft (110 L) FZRVAC5P – 4.5 cu ft (127 L)
Vaccine storage capacity	FZRVAC4P – 2.65 cu ft (75 L) FZRVAC5P – 3.04 cu ft (86 L)
Ventilation clearance	0.0" for top, side and back clearance

Exterior

W1 Width	23.75" (60.3 cm)
D1 Depth cabinet	25.62" (65.1 cm)
Depth with façade	27.00" (68.6 cm)
H1 Height	FZRVAC4P – 31.38" (79.7 cm) FZRVAC5P – 34.00" (86.4 cm)
Height with casters	FZRVAC4P – 33.88" (86.1 cm) FZRVAC5P – 36.50" (92.7 cm)
Door swing	24.00" (60 cm) from front of cabinet, 180° from closed

Interior

Width	19.75" (50.2 cm)
Depth	18.32" (46.5 cm)
Height	FZRVAC4P – 18.94" (48.1 cm) FZRVAC5P – 21.54" (54.7 cm)
Storage system	(2) 18.10" x 19.10" (46.0 x 48.5 cm) epoxy-coated steel shelves

Door configurations

Door	solid, foamed stainless 21.50" x 22.51" x 1.63" (54.6 cm x 57.2 cm x 4.0 cm)
Door lock	cylinder lock
Door handle	molded into front façade
Door hinges	edge-mount, self-closing
Gasket	magnetic

Electrical

C1 115 V/60/1 electrical	7.1 run load amps, NEMA 5-15P 90° hospital-grade plug. PVC, SJT, 16GA, 7' (2.1 m) cord.
Maximum size of branch circuit overcurrent device	15 amps dedicated circuit

Controls

Temperature display	7 segment LED on basic model or 7" capacitive touchscreen on touchscreen model
C2 3rd party probe access	rear access port
Factory preset	-27.8 C
Date and time	programmable on touchscreen model
Controller security	choose "on" or "off" — 4 digit password to prevent interface setting/selection changes on touchscreen model
Product simulation bottle	(1) 60 ml
Programmable operating range	-37 to -18 C (-35 F to 0 F)

Alarming

High and low product temperature alarm	audible and visual, user programmable set points in C or F
Probe error alarm	audible and visual — product temperature probes, refrigeration and defrost
Alarm mute	user selectable
Alarm volume	0 -10 adjustable
Min/max temperature log	shows highest and lowest product temperature since last reset occurred

NSF 456 certified vaccine freezer

9120-20250220 | © Follett Products, LLC

Remote contacts	NO/NC located on back of touchscreen models
-----------------	--

System performance

Refrigerant and charge	R404a refrigerant, 10 oz
Energy consumption	5.8 kWh/day
Nominal heat rejection ¹	825 BTU/hr (242 W)
Max heat rejection	2175 BTU/hr (637 W)

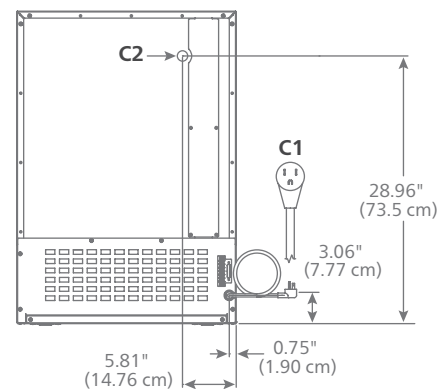
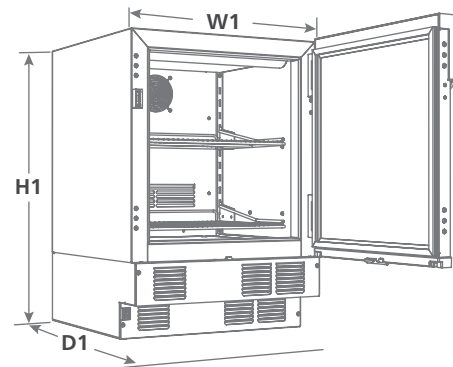
Shipping

Approximate net weight	170 lb (77 kg)
Approximate ship weight	205 lb (93 kg)

NOTE: For indoor use only

SHORT FORM SPECIFICATION: NSF/ANSI 456-certified vaccine freezers (choose one) with ____ 3.9 cu ft (110 L) of nominal capacity and fits under 34.00" (86.4 cm) ADA-height counter or ____ 4.5 cu ft (127 L) of nominal capacity and fits under 36.00" (91.4 cm) standard counter height. Performance Plus undercounter refrigerator with solid stainless steel includes (2) epoxy-coated wire shelves, adjustable in 1.50" (3.81 cm) increments. Environmentally responsible R134a forced-air cooled refrigeration system. Top-mounted controls display product or air temperature in user-selectable C or F. Integral high and low temperature alarming. Storage area insulated with CARB compliant non-HFC foam. 7' (2.1 m) power cord with NEMA 5-15P 90° hospital-grade plug. UL listed.

Dimensional drawing



¹ Nominal heat rejection means heat rejection from a freezer in a 75 F (24 C) ambient with proper ventilation, an empty cabinet, default settings, default defrost schedules/durations, and nominal supply 115-120 VAC.

Agion is a registered trademark of Sciessent LLC.
FOLLETT and FOLLETT HEALTHCARE are registered trademarks of Follett Products, LLC, registered in the US.
Follett reserves the right to change specifications at any time without obligation. Certifications may vary depending on country of origin.