



LED controls with optional keypad

Model configurations			
Controls	Keypad	V/Hz/Ph	Item number
LED	No	115/60/1	REF2
	Yes	115/60/1	REF2-KP

Options and accessories¹

- Replacement NTC probe with NIST-traceable certificate of calibration (item# 01077841)
- Wall mount bracket (item# 00969949)
- Organizing bins, 6 (item# 00969931)
- Extra shelf (item# 00969956)
- Temperature surveillance module (includes alarm, 8.00" (20.32 cm) chart recorder, remote contacts) (item# 01570860)
- Glycerine, 16 oz (item# 00959296)
- Casters (set of 4) (item# 01111947)
- Pedestal, 2.00" (5.08 cm) (item# 01184845)
- Pedestal, fan-assist, 4.50" (11.43 cm) (item# 01025899)
- Pedestal, 12.00" (30.5 cm) (item# 01025881)
- NO/NC dry contacts for connection to remote alarm systems (item# 01092022)
- Stacking kit (countertop on countertop) (item# 01100742)
- Stacking kit (countertop on Performance Plus undercounter) (item# 01100759)
- Stacking kit (countertop on REF/FZR (Legacy) undercounter) (item# 01142363)

Features

Superior temperature performance

- heavy-duty compressor and forced air cooling
- quiet compressor and coaxial fans
- non-CFC R134a refrigerant

Convenience and security

- exterior LED displays product temperature in user-selectable F or C
- "sleep mode" turns off display
- user-programmable, audible and visual high/low alarms
- lockable controller prevents inadvertent setpoint changes
- adjustable refrigeration set points are accessed through front controls
- high/low temperature log shows highest and lowest product temperature recorded
- cylinder door lock supports Joint Commission standards for medication storage
- back wall port provides entry for third-party probes
- flush door design, compatible with standard automated dispensing system brackets

Durability and serviceability

- stainless steel construction on exterior and interior
- rubberized feet
- two epoxy-coated wire shelves
- heavy-duty edge-mount self-closing hinges
- field-reversible door
- removable back panel for easy service access to compressor, condenser and fans
- dart-type magnetic gasket
- dished floor for easy cleanup

Warranty

- 2 year parts and labor
- 5 year compressor parts only
- optional extended one year warranty (item# EW12)
 - 3 year parts and labor
 - 5 year compressor parts only
- optional extended three year warranty (item# EW36)
 - 5 year parts and labor

Certifications (applied to all products unless otherwise noted)



Commercial Refrigerator
SAFETY US/CA - SA12646

¹ Certifications do not apply to options and accessories.

Specification

Nominal capacity	1.8 cu ft (51 L)
Ventilation clearance with more than 8.00" (20.32 cm) top clearance	2.00" (5.08 cm) for both sides
Ventilation clearance with less than 8.00" (20.32 cm) top clearance	6.00" (15.24 cm) for one side

Exterior

W1 Width	18.60" (47.2 cm)
Depth at top	24.00" (61.0 cm)
D1 Depth at bottom	20.00" (50.8 cm)
H1 Height	27.93" (70.9 cm)
Door swing	standard with self-closing right hinge, field reversible

Interior

Width	14.50" (36.8 cm)
Depth	10.00" (25.4 cm)
Height	21.25" (54.0 cm)
Storage system	(2) 13.81" x 9.06", (35.08 cm x 23.01 cm) epoxy-coated wire shelves

Door configurations

Door	stainless steel
Door lock	cylinder door lock with 2 keys
Door hinges	edge-mount, self-closing
Gasket	magnetic, dart-style

Electrical

C1 115 V/60/1 electrical	1.8 full load amps, NEMA 5-15P 90° hospital-grade plug low profile, SJT, 18 AWG, 8' (2.4 m) cord
---------------------------------	--

Controls

Temperature display	standard 7 segment LED, default set in C, user-selectable F or C
Display sleep function	button turns off display, press again to turn back on
Factory preset	4.4 C
Probes	2 probes : P1 controls refrigeration system; P2 provides product temperature
Product simulation bottle	(1) 60 ml
Programmable operating range	2.2 to 10 C (36 to 50 F)

Alarming

High and low product temperature alarm	audible and visual, user programmable set points in F or C
Alarm	user-programmable high/low; audible and visual alert; audible alarm mute
Alarm delay	user-programmable 0 to 255 min

System performance

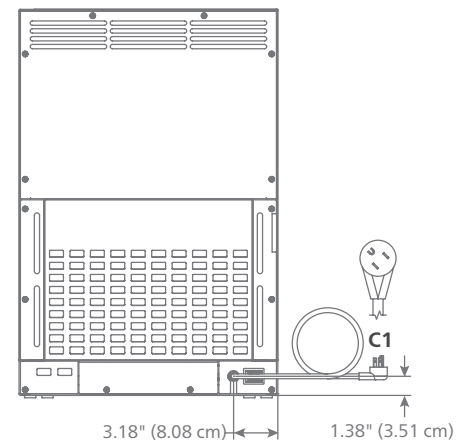
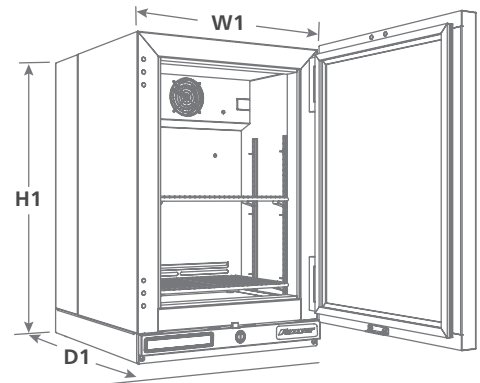
Refrigerant and charge	R134a refrigerant, 3.4 oz charge
Automatic defrost	no heated defrost cycle required
Energy consumption	1.4 kWh/day
Max heat rejection	190 BTU/hr

Shipping

Approximate net weight	73 lb (33 kg)
Approximate ship weight	132 lb (60 kg)
NOTE: For indoor use only	

SHORT FORM SPECIFICATION: Refrigerator with solid stainless steel door fits on standard 24.00" (61.0 cm) deep countertop and under standard 18.00" (45.7 cm) wall-hung cabinets with 1.8 cubic feet (51 L) of nominal capacity. Includes (2) epoxy-coated wire shelves, adjustable in 1/2" increments. Environmentally responsible R134a forced-air cooled refrigeration system. Bottom-mounted controls display product temperature in user-selectable C or F. Integral high and low temperature alarming. Storage area insulated with CARB compliant non-HFC foam. 8' (2.4 m) power cord with NEMA 5-15P 90° hospital-grade plug. UL and CUL listed.

Dimensional drawing



FOLLETT and FOLLETT HEALTHCARE are registered trademarks of Follett Products, LLC, registered in the US. Follett reserves the right to change specifications at any time without obligation. Certifications may vary depending on country of origin.

REF2 countertop refrigerator

6560-20250218 | © Follett Products, LLC

801 Church Lane | Easton, PA 18040, USA
1.800.523.9361 | 1.610.252.7301 | folletthealthcare.com

