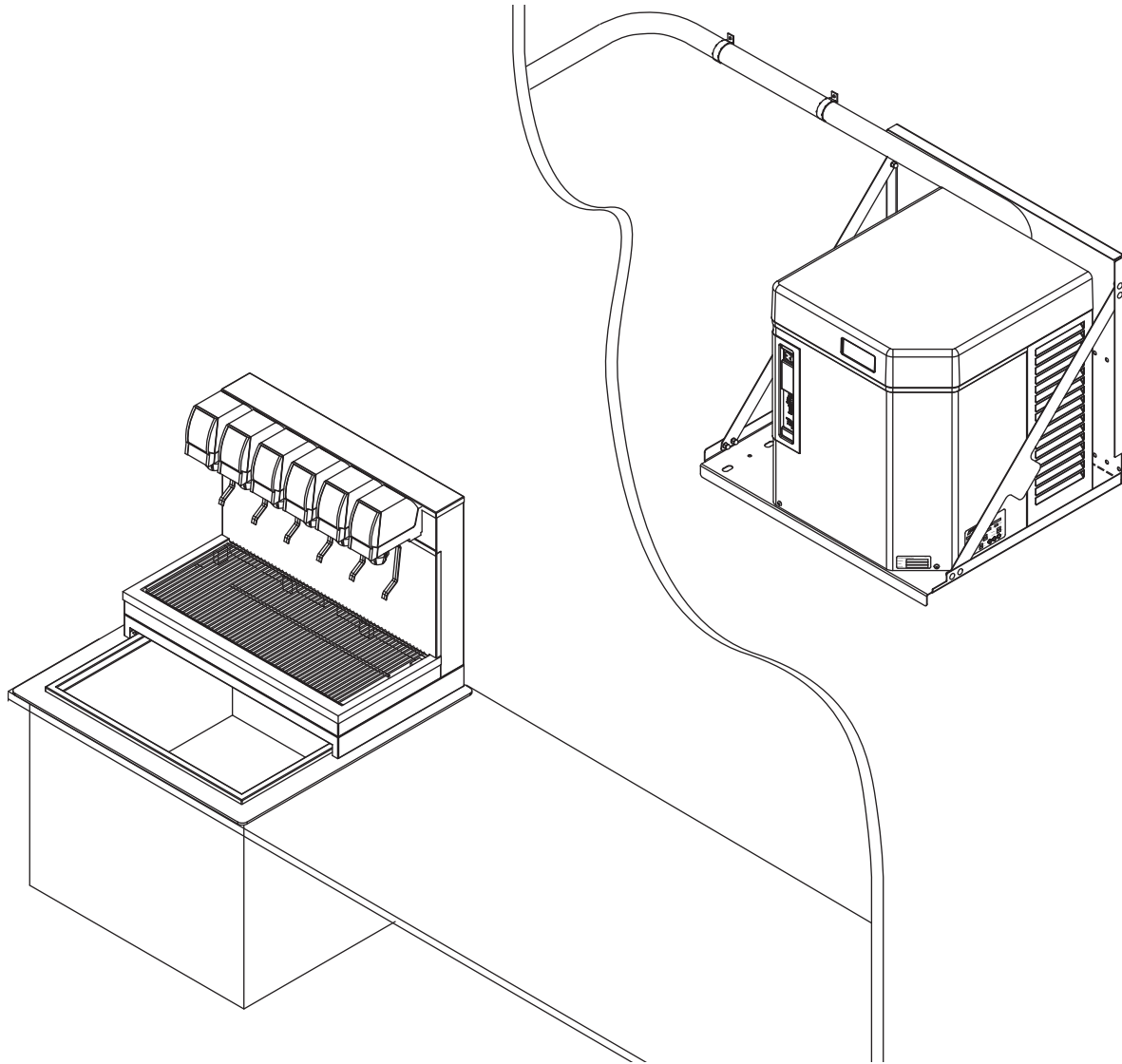
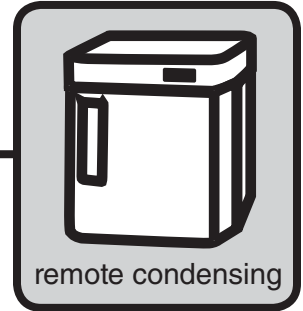


# Horizon™ Ice Machine Models with RIDE™ Technology Installation Instructions for Drop-Ins

HCD/HMD/HCF/HMF1000RJS, HCD/HMD/HCF/HMF1400RJS, HCD/HMD/HCF/HMF1650RJS,  
HCD/HMD1000NJS, HCD/HMD1400NJS, HCD/HMD1650NJS  
(See model number configurator on page 2 for details.)

Order parts online  
[www.follettice.com](http://www.follettice.com)




## Chewblet® Ice Machine Model Number Configurations

HC
C
1400
A
V
S


Icemaker	Voltage	Series	Condenser	Application	Configuration
MC Maestro™ Chewblet® (400 Series)	C 208-230/60/1 (icemaking head) <i>Self-contained only.</i>	400 up to 454 lbs	A Air-cooled, self-contained	V Vision™	S RIDE™
HC Horizon Chewblet (1000, 1400, 1650 Series)	D 115/60/1 (icemaking head) <i>Self-contained and remote. If remote unit, high side is 208-230/60/1.</i>	1000 up to 1036 lbs (471kg)	W Water-cooled, self-contained	H Harmony™	(RIDE remote ice delivery equipment)
	E 230/50/1 (icemaking head) <i>Self-contained only.</i>	1400 up to 1450 lbs (658kg)	R Air-cooled, remote condensing unit	B Ice storage bin	
HM Horizon Micro Chewblet	F 115/60/1 (icemaking head) <i>Remote only. High side is 208-230/60/3.</i>	1650 up to 1580 lbs (717kg)	N Air-cooled, no condensing unit for connection to parallel rack system	J Drop-in	T Top-mount
				M Ice Manager diverter valve system	

Read and complete the following 8 installation steps


1 **Unpack** \_\_\_\_\_




2 **Site preparation** \_\_\_\_\_




3 **Dispenser preparation** \_\_\_\_\_



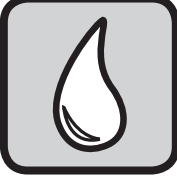
4 **Louvered docking assembly** \_\_\_\_\_




5 **Ice transport tube** \_\_\_\_\_




6 **External connection** \_\_\_\_\_



7 **Internal connection** \_\_\_\_\_



8 **Front cover** \_\_\_\_\_



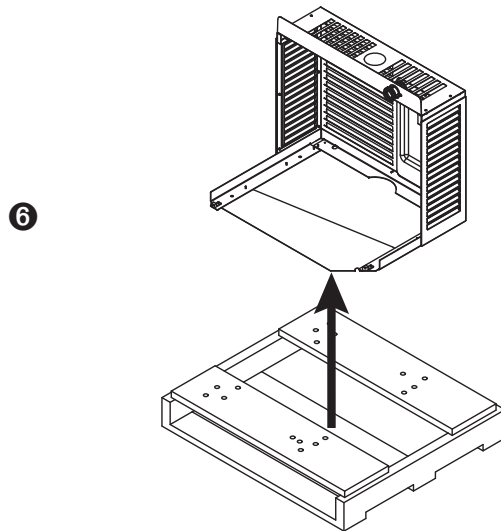
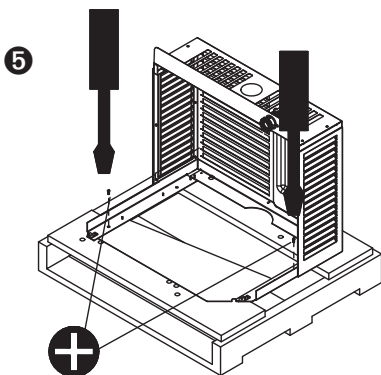
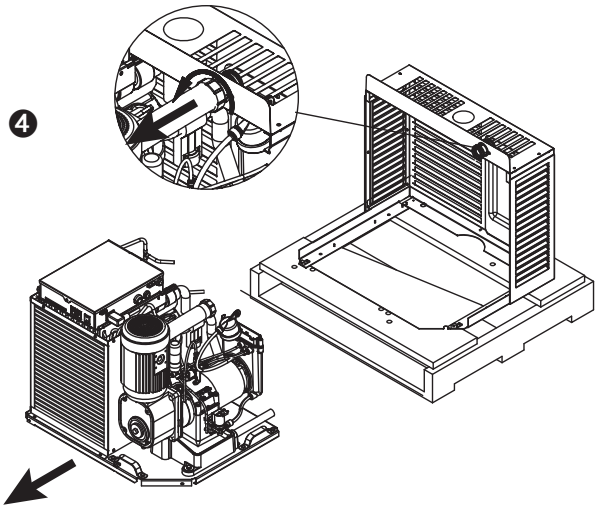
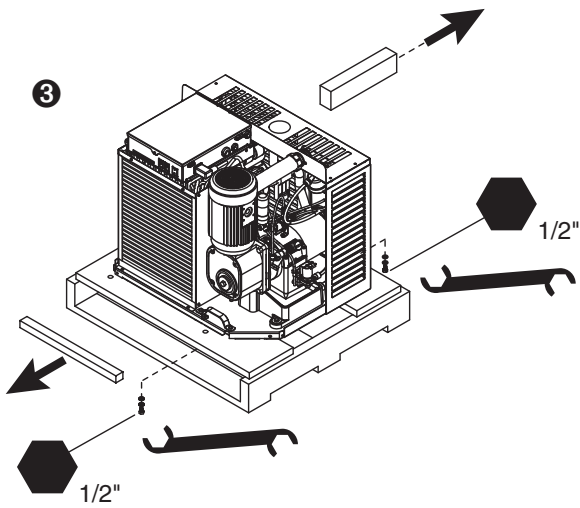
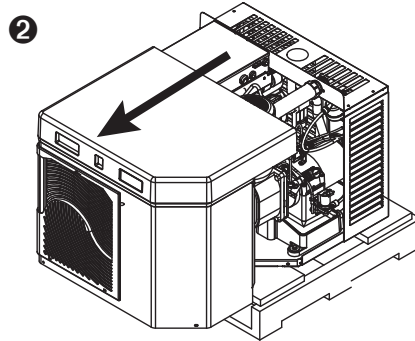
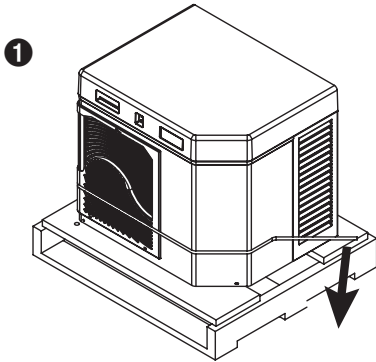
Carefully unpack and inspect the contents of your Follett ice machine.

Unpack

1

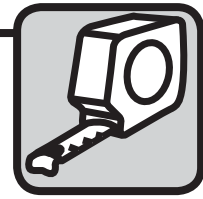


### 1.1 Unpack ice machine

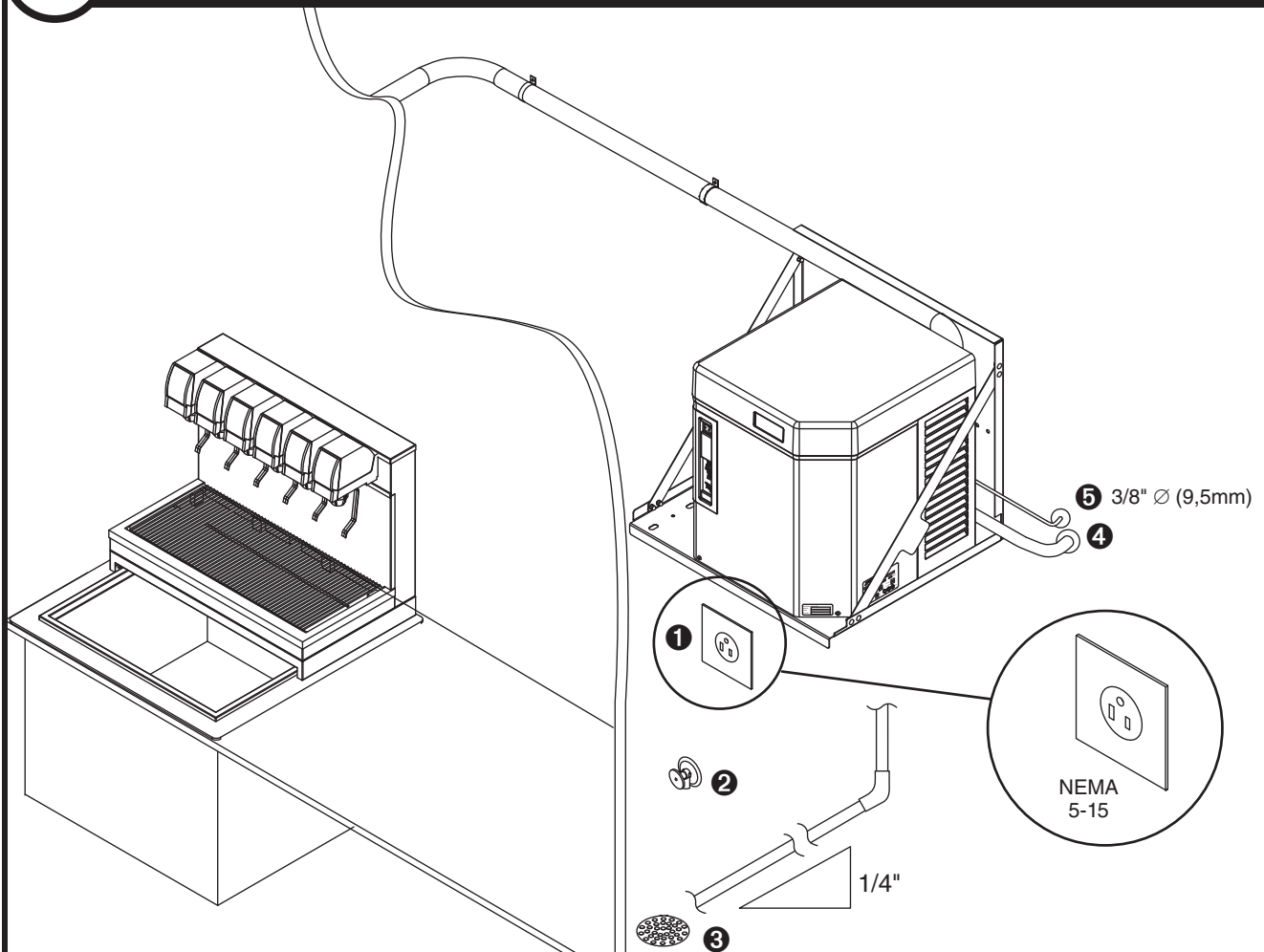


Prepare the installation site.

Provide drainage, water supply and electrical power to within 6 feet (2m) of ice machine in accordance with local and national codes. Outdoor installation of low side is not recommended and will void warranty.



2.1 Installation site requirements



Electrical ①

- 120/60/1-6 amps

Potable water supply ②

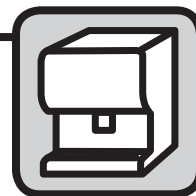
- 10-70 psi (69-483kpa)
- 45-90 F (7-32 C)
- Follett recommends the use of an in-line water filtration system (item# 00130286)

Drain ③

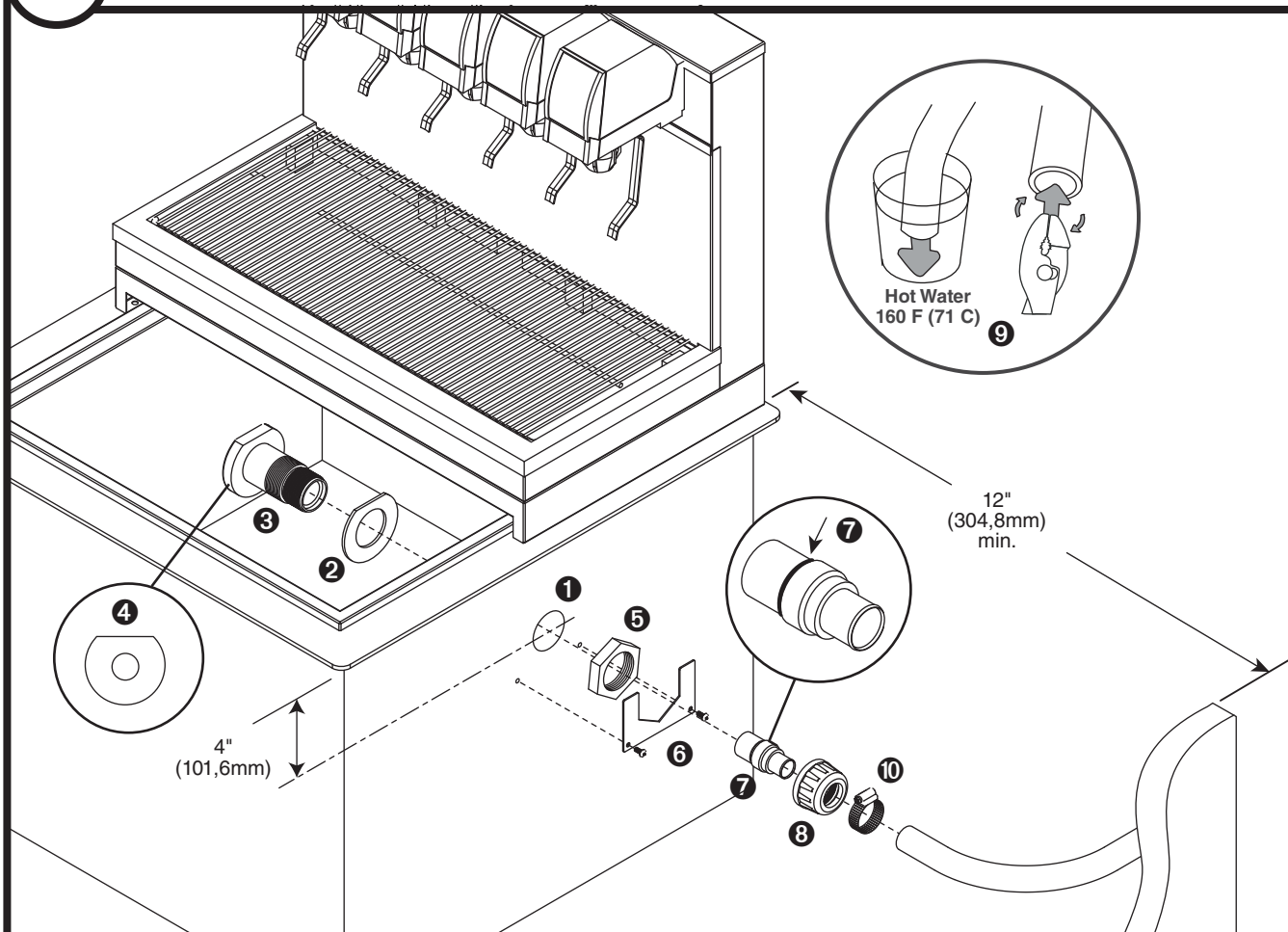
- The drain line from the ice machine must have at least 1/4" per foot pitch (6,4mm/0,3m)

Refrigeration lines ④

- 1000, 1400: 5/8" (15,8mm) diameter suction (insulated) ④
- 1650: 7/8" (22,2mm) diameter suction (insulated) ④
- 3/8" (9,5mm) liquid ⑤

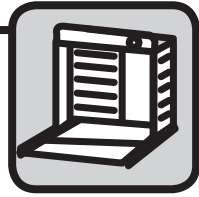


3.1 Dispenser preparation

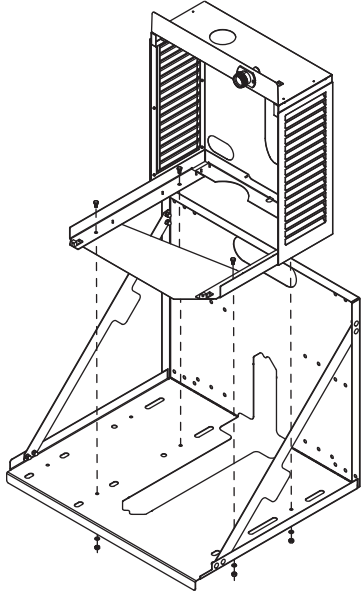


- Determine best route for ice transport tube run. **Note:** 12" (304,8mm) clearance is required.
- Drill 1 3/4" (44,5mm) hole through either side of dispenser ①
- Install gasket ② onto bulkhead fitting ③
- Attach bulkhead fitting with flat up ④ and tighten bulkhead nut ⑤
- Position and secure nut locking plate ⑥ with supplied screws
- Verify installation of O-ring on stainless steel ice transport tube coupling ⑦
- Insert stainless steel ice transport tube coupling ⑦ into bulkhead fitting and secure with coupling cap ⑧
- Heat end of transport tube in cup of 160 F (71 C) hot water to soften and spread with pliers ⑨ before making connection to ease assembly
- Attach ice transport tube to coupling with supplied hose clamp ⑩

Install the louvered docking assembly.

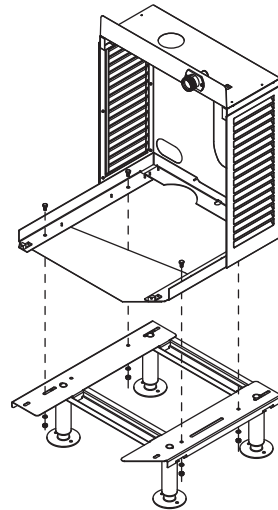


Wall bracket accessory



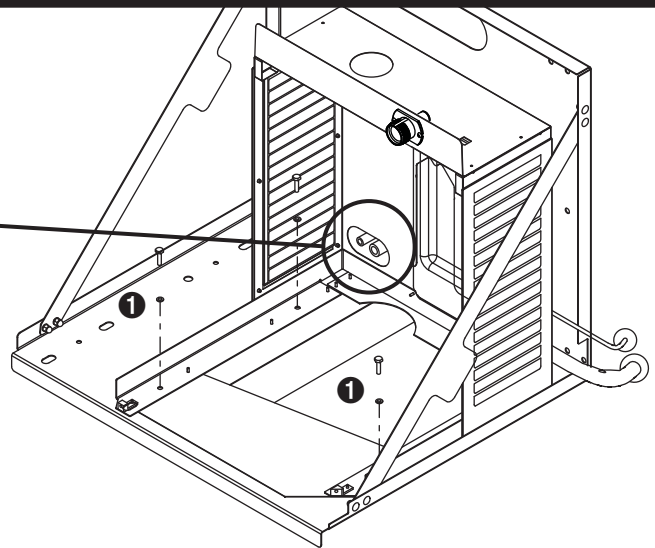
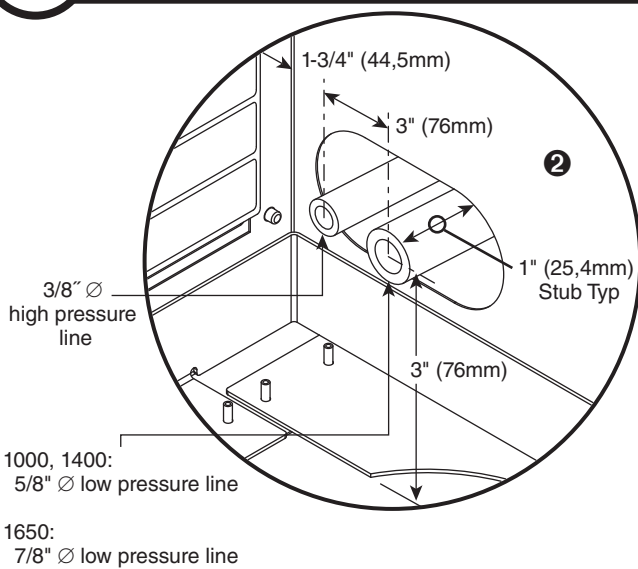
- Mount louvered docking assembly to wall bracket accessory

Machine stand accessory



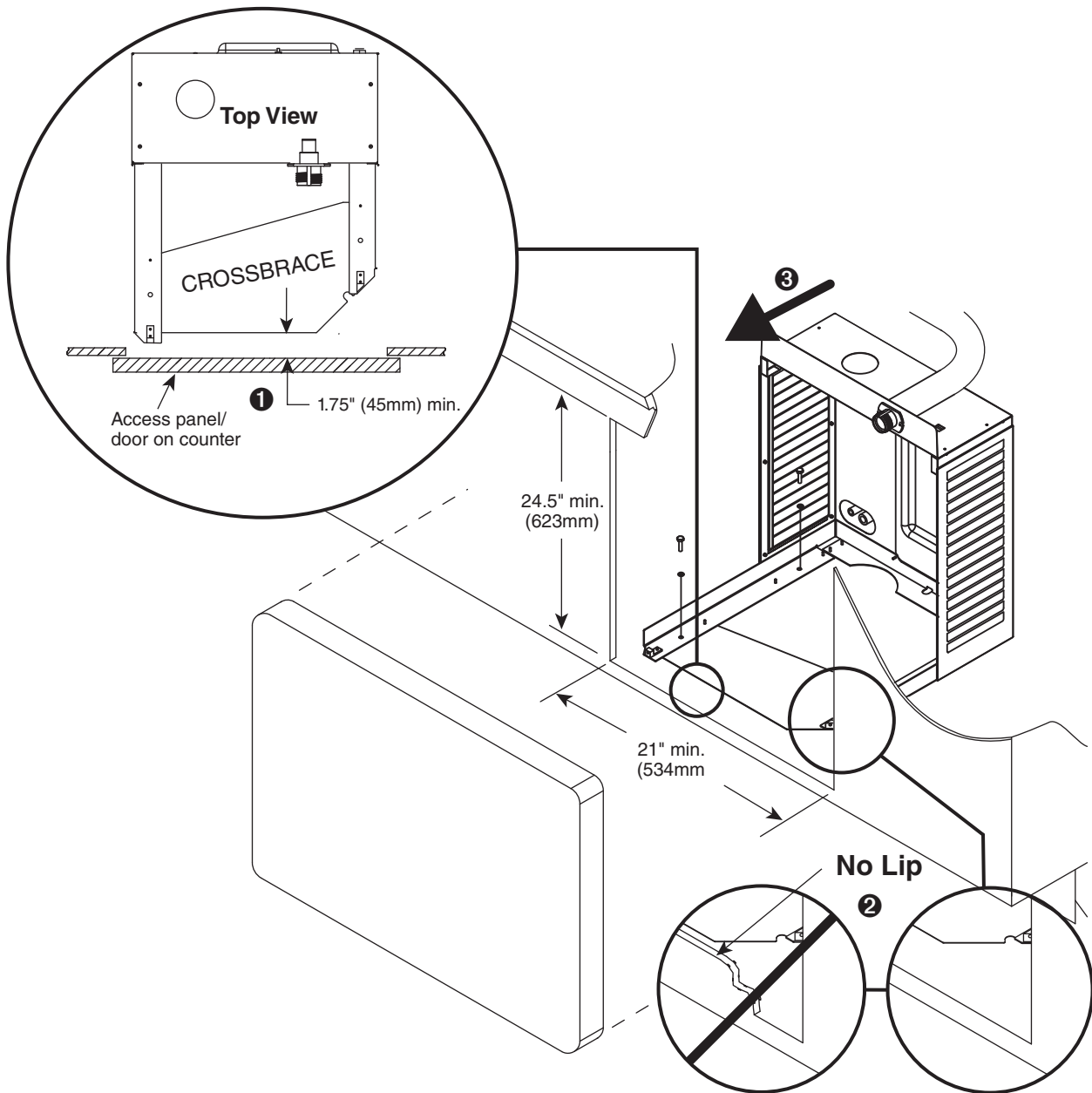
- Mount louvered docking assembly to machine stand accessory

4.1 Louvered docking assembly



- Mount louvered docking assembly ①
- "Rough-in" the refrigerant piping ②

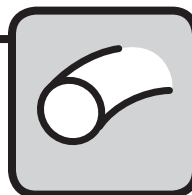
## 4.1 Undercounter installation requirements



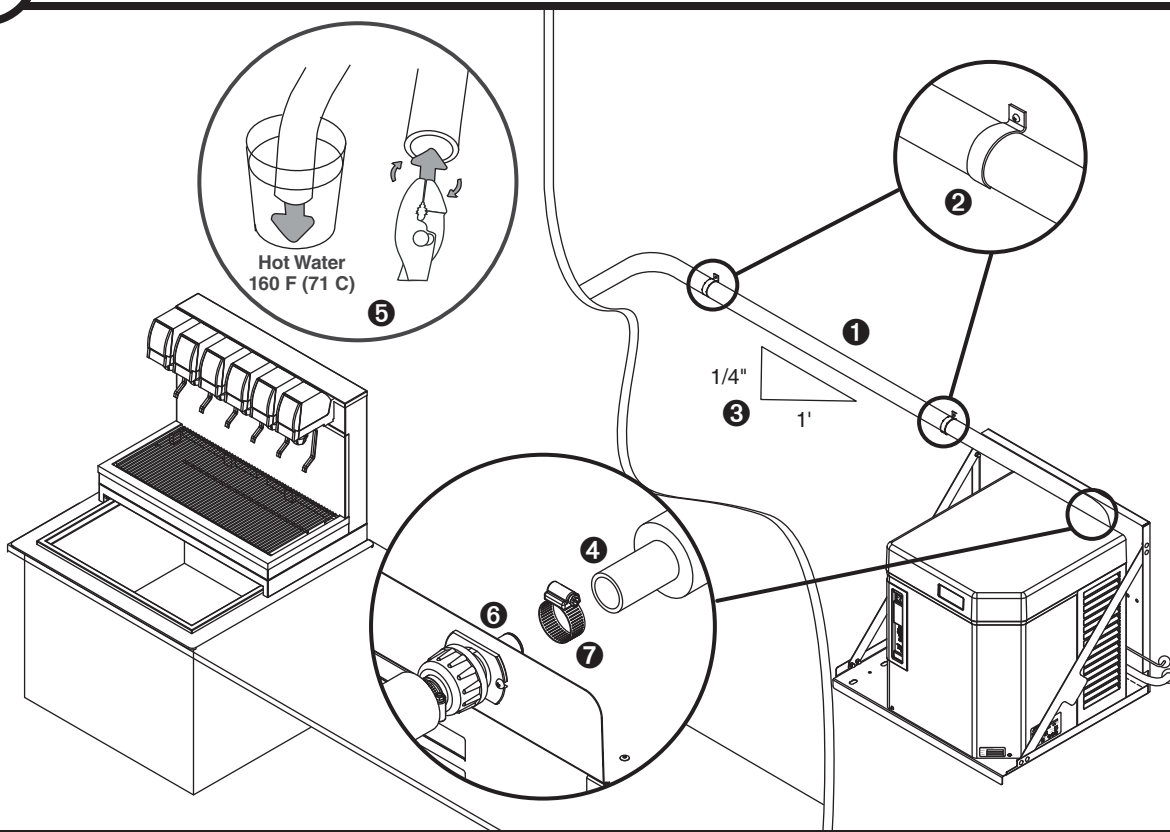
### DOCKING STATION

- Position and screw louvered docking assembly to the bottom of counter inside of access panel/door min. of 1.75" (45mm) from the front edge of the cross brace ①
- The mounting surface for the louvered docking assembly must be solid. Do not mount directly onto runners or channels.
- There must be no lip or edge that would hinder the ice machine from sliding in or out of the louvered docking station ②
- Ice machine must be installed facing forward as shown for service accessibility ③





### 5.1 Ice transport tube installation from dispenser to ice machine



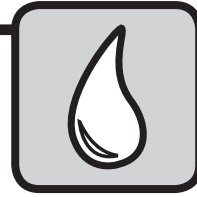
#### Ice transport tube tips

- Insulate entire length of ice transport tube ①
- Secure ice transport tube ② as needed to prevent dips and traps from forming. For long tube runs see guide on page 14.
- Pitch ice transport tube at least 1/4" per foot (6,4mm/.3m) ③
- Ice transport tube must drain towards ice machine

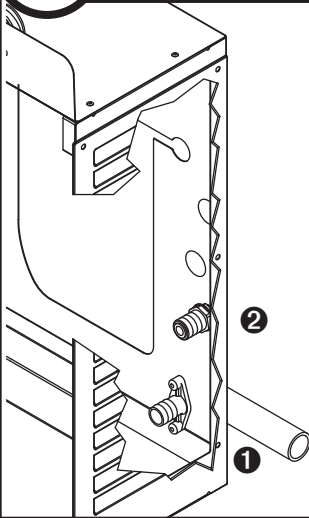
#### Ice transport tube to Ice machine

- Be sure tube ends are square ④
- Heat end of transport tube in cup of 160 F (71 C) hot water to soften and spread with pliers ⑤ before making connection to ease assembly
- Push ice transport tube onto ice machine nipple ⑥
- Install hose clamp ⑦

Connect utilities to louvered docking assembly.

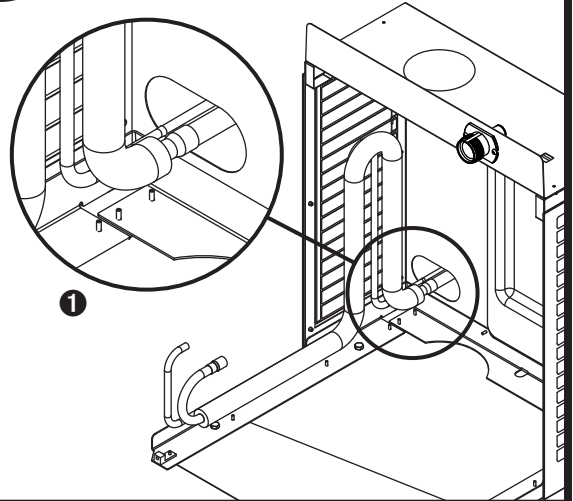


### 6.1 Water and drain



- Remove access panel if necessary.
- Install drain line ❶.  
The rigid drain line from the ice machine must have at least 1/4" per foot pitch (6,4mm/0,3m).
- Install ice machine potable water supply ❷
- Replace access panel

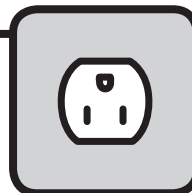
### 6.2 Refrigerant



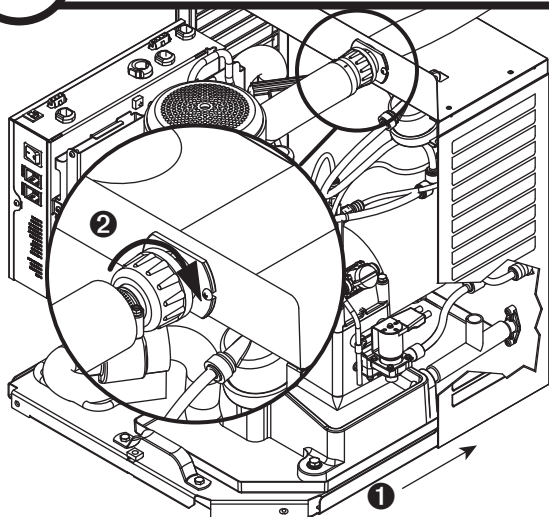
- Braze supplied expandable refrigerant lines in place ❶

Connect louvered docking assembly to ice machine.

## Internal connections **7**

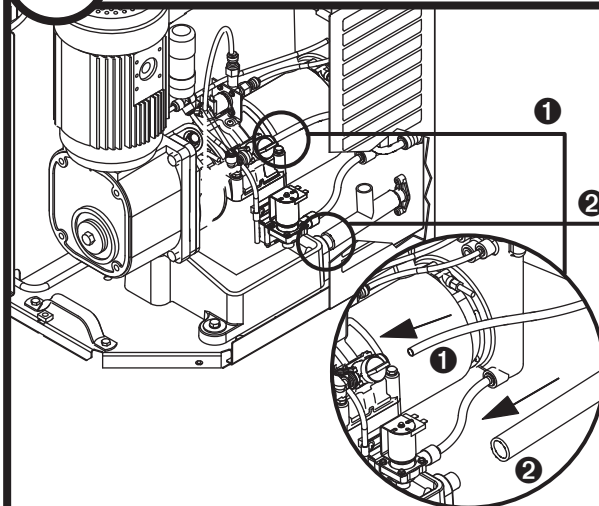


### 7.1 Ice transport tube installation



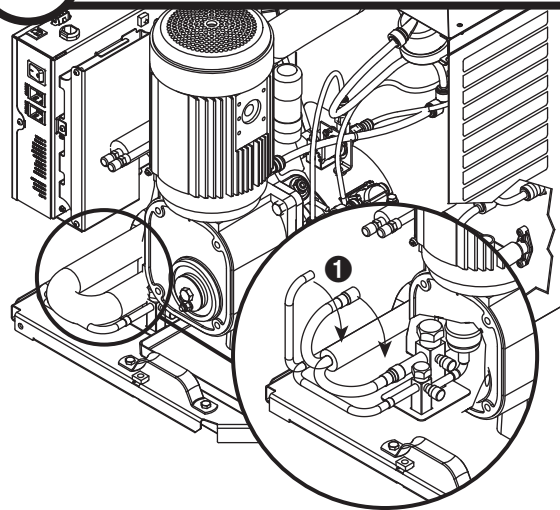
- Slide ice machine into louvered docking assembly **1**
- Insert ice transport tube all the way into coupling and tighten nut firmly **2**

### 7.2 Water and drain lines



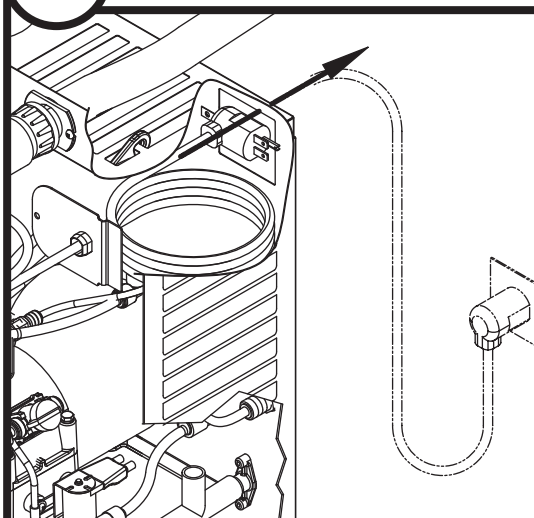
- Insert potable water line into valve **1**
- Push drain line over hose barb on back of evaporator mount **2**

### 7.3 Refrigeration lines



- Rotate and braze refrigerant lines **1**

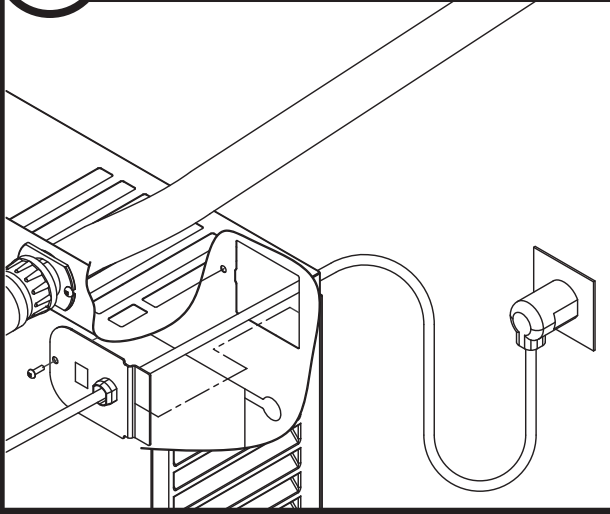
### 7.4 Power cord



- Remove twist tie
- Carefully pass plug thru opening and plug into wall outlet

7.5

### Power cord



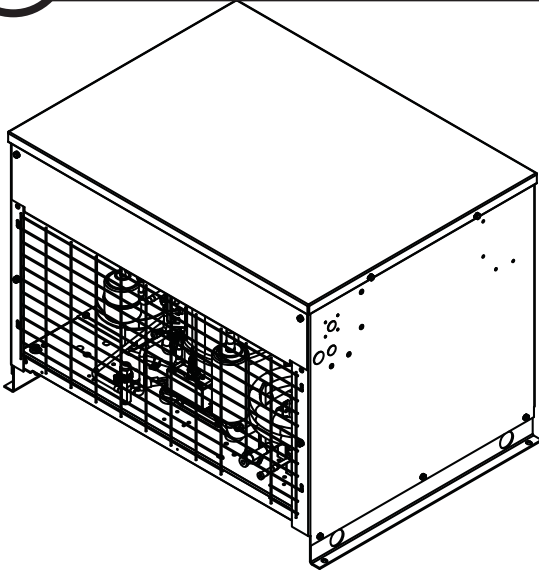
- Position plate into opening and secure with supplied screw

Install front cover to ice machine.

Front cover **8**

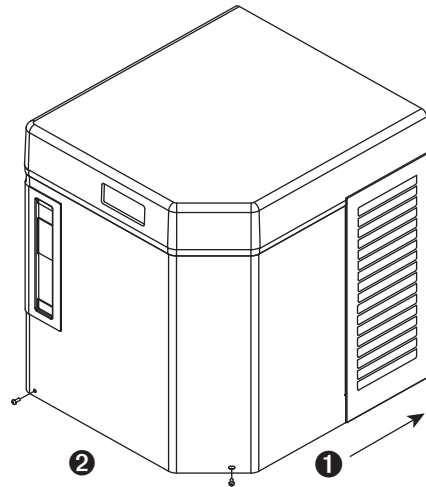


**8.1** Install condensing unit



- Complete installation of condensing unit or connection to rack system.

**8.2** Install ice machine front cover



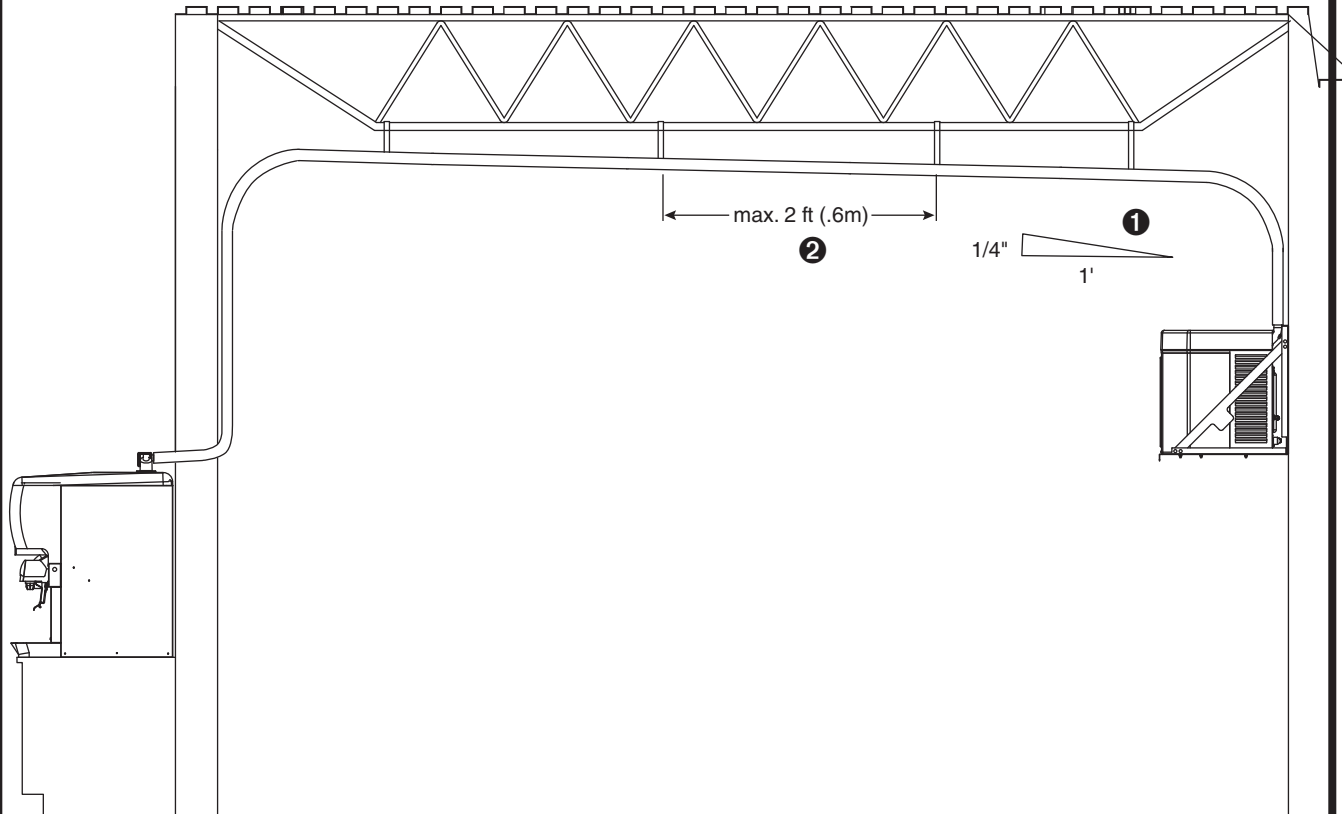
- Slide ice machine cover over machine ensuring that tabs on back of cover slip under louvers on back of louvered docking assembly **1**
- Insert and tighten two screws through cover and into louvered docking assembly **2**

**NOTICE**

**Ice machine MUST be sanitized prior to operation!**

Consult Operation and Service Manual provided with ice machine for sanitizing instructions.

## Long tube run recommendations



- Pitch ice transport tube to allow melt water to drain towards ice machine ①
- Secure insulated ice transport tube at least every 2 ft (.6m) to prevent dips or traps ②



Horizon, Maestro, Harmony, Ice Manager, SafeCLEAN, Sani-Sponge, RIDE and Vision are trademarks of Follett Corporation.  
Chewblet is a registered trademark of Follett Corporation, registered in the US.



801 Church Lane • Easton, PA 18040, USA  
Toll free (877) 612-5086 • +1 (610) 252-7301  
[www.follettice.com](http://www.follettice.com)



00159996R08  
3/13