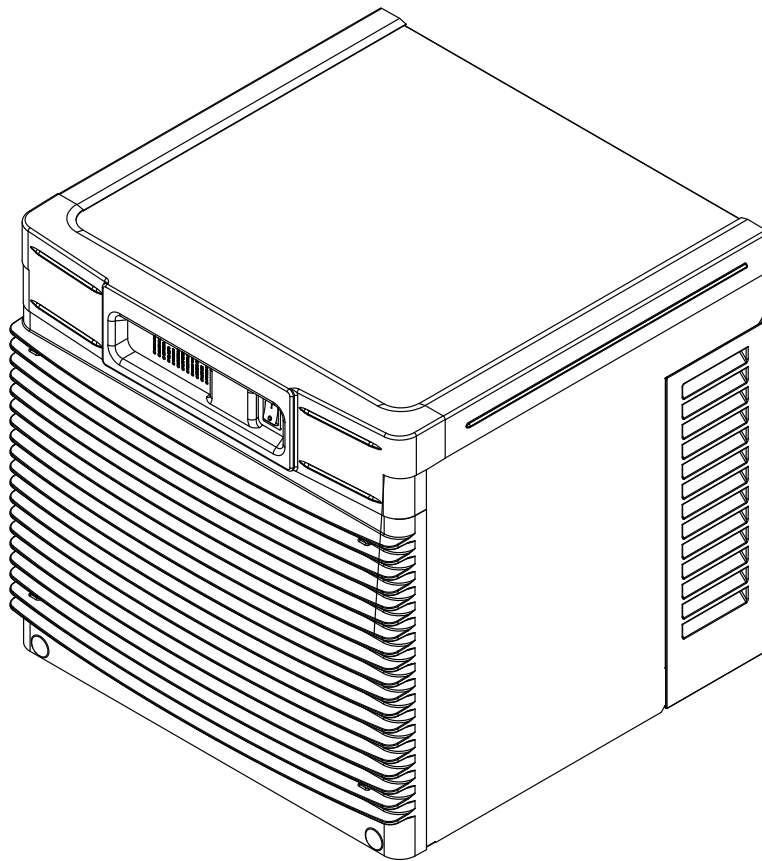


HCE/HME700A, HCE/HME700W, Ice Machines 230 V/50 Hz (Self-contained)

Order parts online
www.follettice.com

Operation and Service Manual Serial Numbers After H58642



**Following installation, please forward this manual
to the appropriate operations person.**

 **CAUTION!**

- This appliance should be permanently connected by a qualified person in accordance with application codes.
- If the supply cord is damaged, it must be replaced by the manufacturer, its service agent or similarly qualified persons in order to avoid a hazard.
- Connect to potable water supply only.
- This appliance can be used by children aged 8 years and above and persons with reduced physical, sensory, or mental capabilities, or lack of experience and knowledge if they have been given supervision or instruction concerning use of the appliance in a safe way and understand the hazards involved. Children should be supervised to ensure that they do not play with the appliance.
- This appliance is intended to be used for household and similar applications such as staff kitchen areas in shops, offices and other working environments; farm houses and by clients in hotels, motels and other residential type environments; bed and breakfast type environments; catering and similar non-retail applications.
- **WARNING!** To avoid a hazard due to instability of the appliance, it must be fixed in accordance with the instructions.
- Warranty does not cover exterior or outside installations.
- Moving parts. Do not operate with front cover removed.
- Hot parts. Do not operate with cover removed.
- To reduce risk of shock, disconnect power before servicing.
- To prevent circuit breaker overload, wait 15 minutes before restarting this unit. This allows the compressor to equalize and the evaporator to thaw.
- Drain line must be vented.
- Water supply must be treated by a scale-inhibiting filter.
- Most ice machine cleaners contain citric or phosphoric acid, which can cause skin irritation. Read caution label on product and follow instructions carefully.
- Ice is slippery. Maintain counters and floors around dispenser in a clean and ice-free condition.
- Ice is food. Follow recommended cleaning instructions to maintain cleanliness of delivered ice.

Table of contents

Welcome to Follett Corporation	4
Specifications	5
Operation.....	7
Cleaning	7
Weekly exterior care.....	7
Monthly condenser cleaning	7
Semi-annual evaporator cleaning.....	7
Service.....	12
Ice machine operation	12
Water system.....	13
Electrical system.....	14
Normal control board operation.....	14
Error faults.....	15
Hard error	15
Soft errors.....	15
Relay output indication	15
Flushing logic	15
Wiring diagram	16
Compressor data.....	17
Gearmotor data	17
Resistance of windings	17
Mechanical system	18
Evaporator disassembly	18
Evaporator reassembly.....	21
Refrigeration system.....	25
Refrigeration pressure data.....	25
Refrigeration system diagram.....	25
Refrigerant charge size	26
Refrigerant replacement requirements.....	26
Evacuation.....	26
Ambients	26
Ice capacity test	26
Bin full detection system.....	27
Troubleshooting	28
Replacement parts	30

Welcome to Follett

Follett equipment enjoys a well-deserved reputation for excellent performance, long-term reliability and outstanding after-the-sale support. To ensure that this equipment delivers the same degree of service, we ask that you review the installation manual (provided as a separate document) before beginning to install the unit. Our instructions are designed to help you achieve a trouble-free installation. Should you have any questions or require technical help at any time, please call our technical service group at (877) 612-5086 or +1 (610) 252-7301.

Before you begin

After uncrating and removing all packing material, inspect the equipment for concealed shipping damage. If damage is found, notify the shipper immediately and contact Follett Corporation so that we can help in the filing of a claim, if necessary.

Check your paperwork to determine which model you have. Follett model numbers are designed to provide information about the type and capacity of Follett equipment. Following is an explanation of the different model numbers in the Horizon 700 series.

Chewblet® Ice Machine Model Number Configurations

Machine	Voltage	Series	Condenser	Application	Configuration
MC Maestro™ Chewblet (400 Series)	C 208-230/60/1 (icemaking head) <i>Self-contained only.</i>	400 up to 454 lbs (206kg)	A Air-cooled, self-contained	V Vision™	S RIDE®
HC Horizon Chewblet (1000, 1400, 1650 Series)	D 115/60/1 (icemaking head) <i>Self-contained and remote. If remote unit, high side is 208-230/60/1.</i>	700 up to 750 lbs (340kg)	W Water-cooled, self-contained	H Harmony™	(RIDE remote ice delivery equipment)
HM Horizon Micro Chewblet	E 230/50/1 (icemaking head) <i>Self-contained only.</i>	1000 up to 1036 lbs (471kg)	R Air-cooled, remote condensing unit	B Ice storage bin	T Top-mount
	F 115/60/1 (icemaking head) <i>Remote only. High side is 208-230/60/3.</i>	1400 up to 1450 lbs (658kg)	N Air-cooled, no condensing unit for connection to parallel rack system	J Drop-in	
		1650 up to 1580 lbs (717kg)		M Ice Manager™ diverter valve system	

Specifications

Electrical

Each ice machine requires its own separate circuit with electrical disconnect within 10 ft (6m).
 Equipment ground required.
 Standard electrical: HCE/HME700: 230/50/1 (6 ft (2m) cord
 Maximum ice machine fuse: 15A each
 Amperage: 7A

Plumbing

3/8" OD push-in water inlet
 3/4" MPT drain
 1/4" FPT condenser inlet (water-cooled condenser only)
 1/4" FPT condenser drain (water-cooled condenser only)

Notes: 3/4" vented drain line must slope a minimum of 1/4" per foot (6mm per 30.4 cm run).
 Drain to be hard piped and insulated.
 To prevent back flow, do not connect drains.
 Separate drains for ice machine and condenser.
 Water shut-off recommended within 10 feet (3 m).
 Water supply must be treated by a scale-inhibiting filter (Follett item# 00130286).

Ambient

Air temperature	100 F/38 C max.	50 F/10 C min.
Water temperature	90 F/32 C max.	45 F/7 C min.
Water pressure – potable	70 psi max. (483 kPa)	10 psi min. (89 kPa)

Note: Water-cooled condenser pressure 150 psi (1034 kPa)

Heat rejection

Air-cooled rejects 8850 BTU/hr
 Water-cooled rejects 10150 BTU/hr

Ice production

Note: Water regulating valve set to maintain a 215 PSIG (95°F Saturated R404A) discharge pressure at all conditions.

Air-cooled ice machine capacity/24 hrs.

		Ambient Air Temperature F/C					
		F	60	70	80	90	100
Inlet Water Temperature F/C	C	16	21	27	32	38	
	50	651	600	571	518	460	lbs
	10	295	272	259	235	209	kg
	60	620	574	531	492	443	lbs
	16	281	260	280	223	201	kg
	70	572	538	506	479	416	lbs
	21	259	244	230	217	189	kg
	80	569	519	493	452	415	lbs
	27	258	235	224	205	188	kg
	90	537	504	471	430	389	lbs
	32	244	229	214	195	176	kg

Water-cooled ice machine capacity/24 hrs.

		Ambient Air Temperature F/C					
		F	60	70	80	90	
Potable Make-up Water Temperature F/C	C	16	21	27	32		
	50	608	600	592	583	lbs	
	10	276	272	269	264	kg	
	60	578	571	567	548	lbs	
	16	262	259	257	249	kg	
	70	554	540	537	528	lbs	
	21	251	245	244	239	kg	
	80	530	521	514	489	lbs	
	27	240	236	233	222	kg	
	90	515	512	508	484	lbs	
	32	234	232	230	220	kg	

Dimensions and clearances

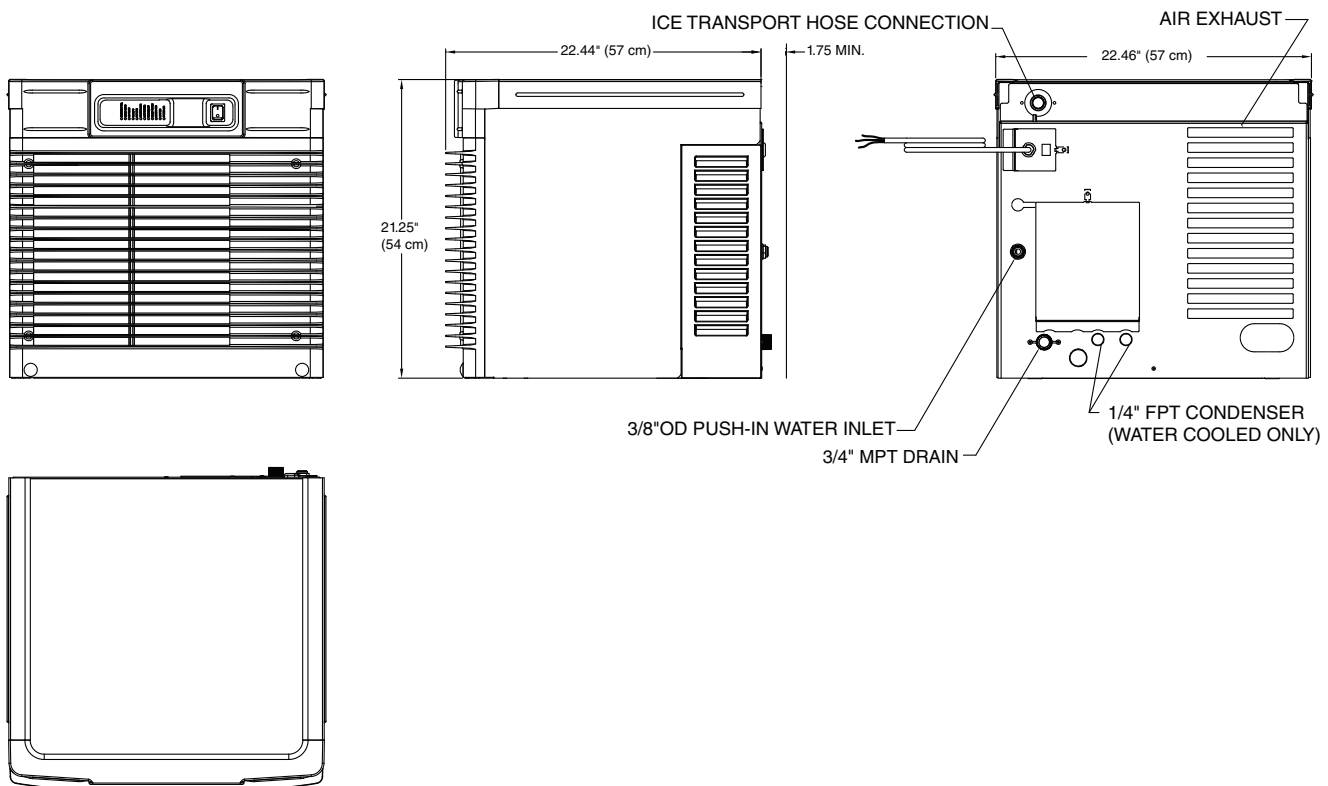
Entire front of ice machine must be clear of obstructions/connections to allow removal.

1" (26 mm) clearance above ice machine for service.

1" (26 mm) minimum clearance on sides.

The intake and exhaust air grilles must provide at least 160 sq in (1032 sq cm) of open area.

Air-cooled model HCE700A ice machines – 18" (458 mm) minimum clearance between discharge and air intake-grilles.



Operation

Cleaning and preventive maintenance (all models)

Note: Do not use bleach to sanitize or clean the icemaker.

Preventive maintenance

Periodic cleaning of Follett's icemaker system is required to ensure peak performance and delivery of clean, sanitary ice. The recommended cleaning procedures that follow should be performed at least as frequently as recommended, and more often if environmental conditions dictate.

Cleaning of the condenser can usually be performed by facility personnel. Cleaning of the icemaker system, in most cases, should be performed by your facility's maintenance staff or a Follett authorized service agent. Regardless of who performs the cleaning, it is the operator's responsibility to see that this cleaning is performed according to the schedule below. Service problems resulting from lack of preventive maintenance will not be covered under the Follett warranty.

Weekly exterior care

The exterior may be cleaned with a stainless cleaner such as 3M Stainless Steel Cleaner & Polish or equivalent.

Monthly condenser cleaning (air-cooled icemaker only)

1. Use a vacuum cleaner or stiff brush to carefully clean condenser coils of air-cooled icemakers to ensure optimal performance.
2. When reinstalling counter panels in front of remote icemakers, be sure that ventilation louvers line up with condenser air duct.

Semi-annual evaporator cleaning (every 6 months)

WARNING

- Wear rubber gloves and safety goggles (and/or face shield) when handling ice machine cleaner or sanitizer.

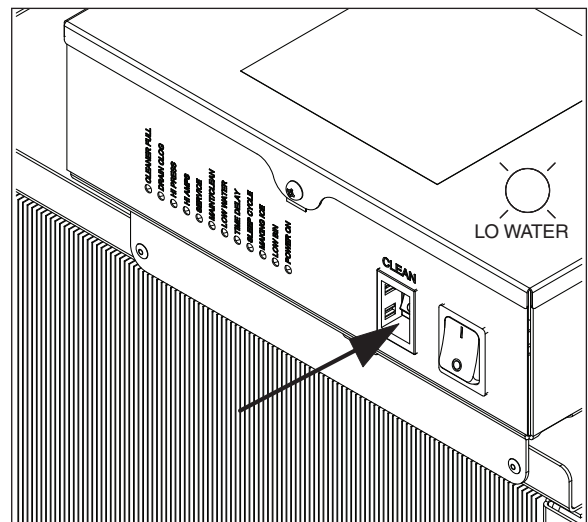
CAUTION

- Use only Follett approved SafeCLEAN™ Cleaner (part #00132001) and NU-CALGON IMS-II or IMS-III SANITIZER (00979674).
- Do not mix Cleaner and Sanitizer solutions together.
- DO NOT USE BLEACH.
- It is a violation of Federal law to use these solutions in a manner inconsistent with their labeling.
- Read and understand all labels printed on packaging before use.

Note: Complete procedure for cleaning and sanitizing MUST be followed. Ice must be collected for 10 minutes before putting ice machine back into service.

1. To clean – Remove cover. Press the CLEAN button. The machine will drain. Wait for the LO WATER light to come on (**Fig. 1**).

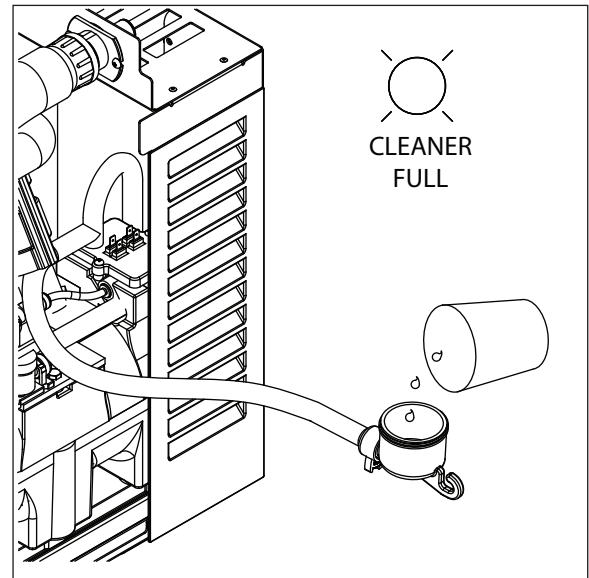
Fig. 1



- Mix 1 gallon (3.8L) 120 F (49 C) water and 7 ounces (198g) (one 7 ounce packet of Follett SafeCLEAN ice machine cleaner, part# 00132001). Locate cleaning cup. Fill until CLEANER FULL light comes on (**Fig. 2**).

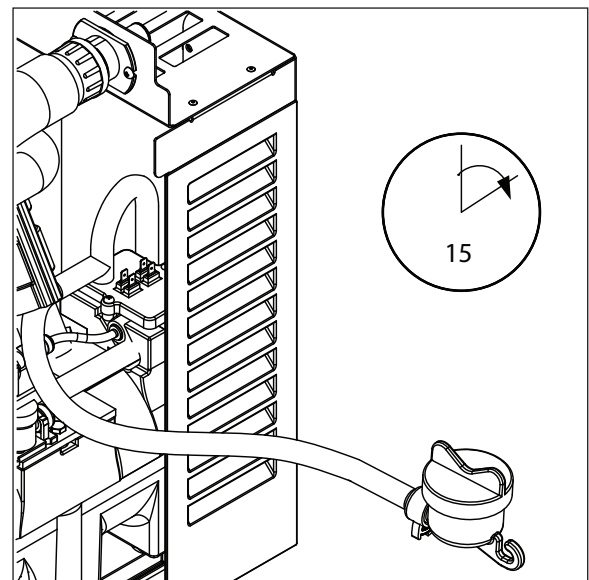
Note: Do not use bleach to sanitize or clean the icemaker.

Fig. 2



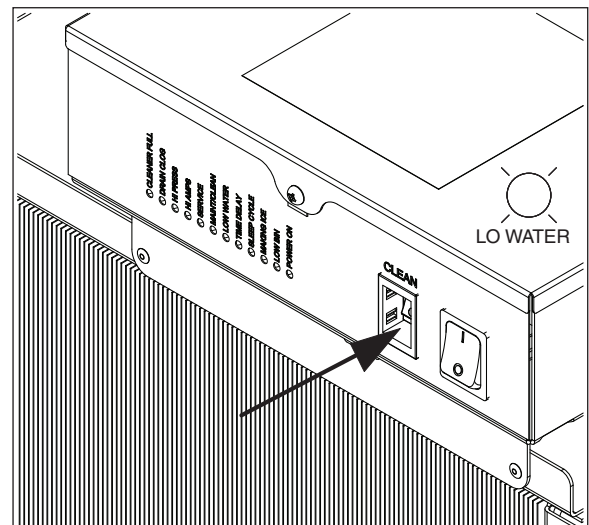
- Replace cover on cleaning cup. Wait until machine restarts. Machine will clean, then flush 3 times in approximately 15 minutes (**Fig. 3**).

Fig. 3



- To sanitize – Press CLEAN button. The machine will drain. Wait for LO WATER light to come on (**Fig. 4**).

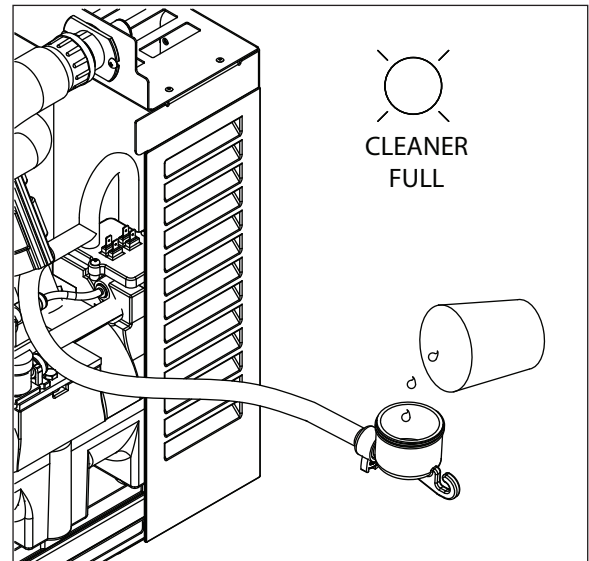
Fig. 4



- Mix 1 gallon 120 F (49 C) water and 1.6 ounces (48ml) NU-CALGON IMS-II or IMS-III SANITIZER. Fill until CLEANER FULL light comes on (Fig. 5). Place one Sani-Sponge™ in remaining sanitizing solution and retain for Step 9.

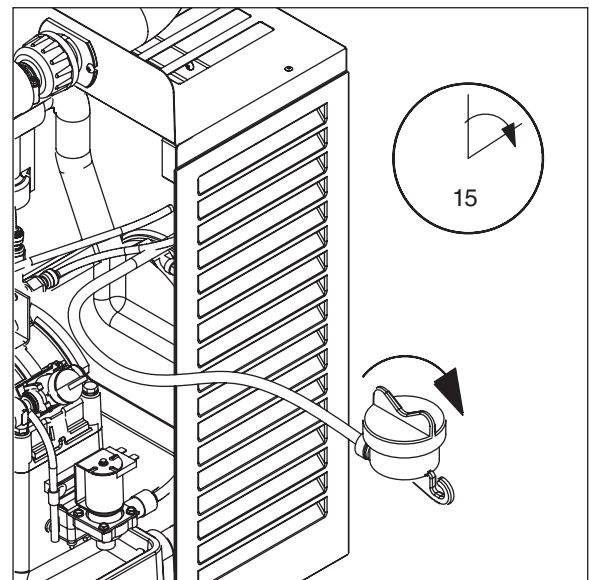
Note: Do not use bleach to sanitize or clean the icemaker.

Fig. 5



- Replace cover on cleaning cup. Wait until machine restarts. Machine will sanitize, then flush 3 times in approximately 15 minutes (Fig. 6).

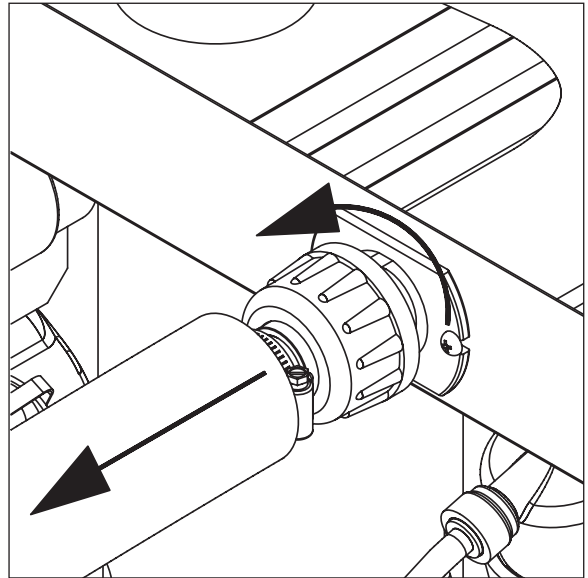
Fig. 6



7. Disconnect coupling as shown (**Fig. 7**).

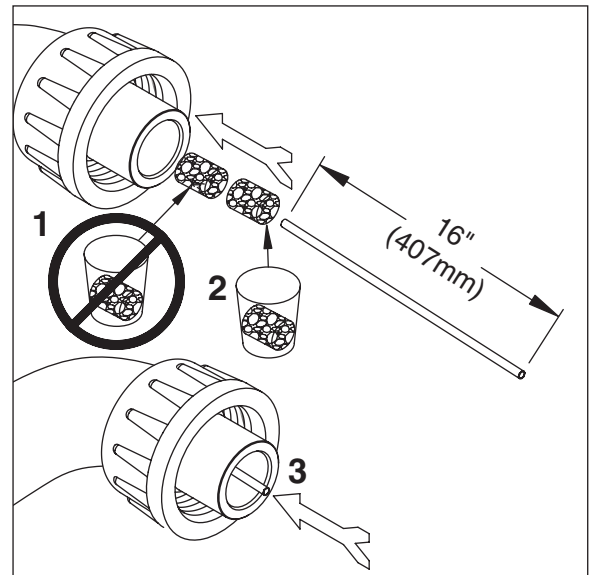
Note: Steps 8-11 must be completed before machine flushes and starts producing ice.

Fig. 7



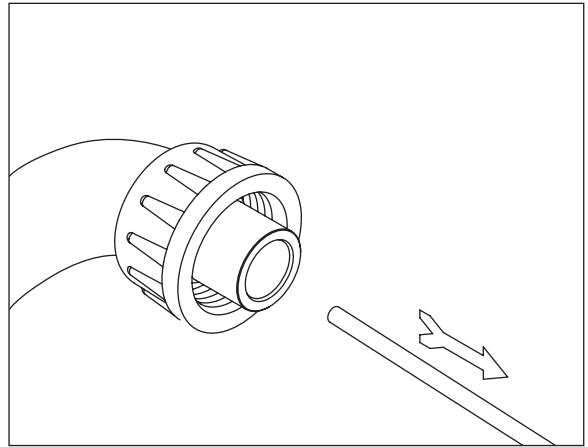
8. Using disposable food service grade gloves, insert dry Sani-Sponge™ (kit part# 00132068). Next, insert Sani-Sponge soaked in Nu-Calgon IMS-II or IMS-III sanitizer solution (from Step 5). Push both Sani-Sponges down ice transport tube with supplied pusher tube (**Fig. 8**).

Fig. 8



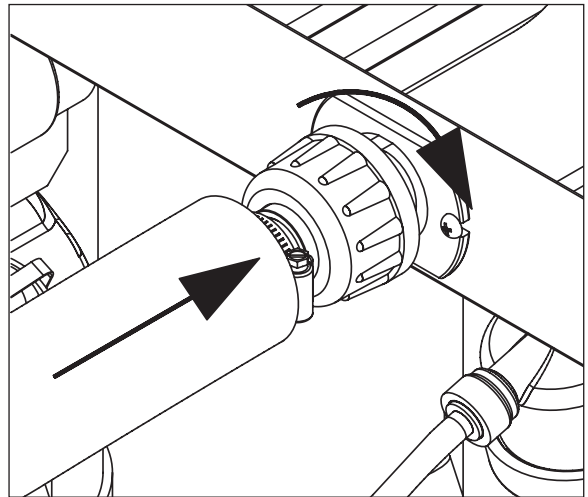
9. Remove and discard 16" (407mm) pusher tube (Fig. 9).

Fig. 9



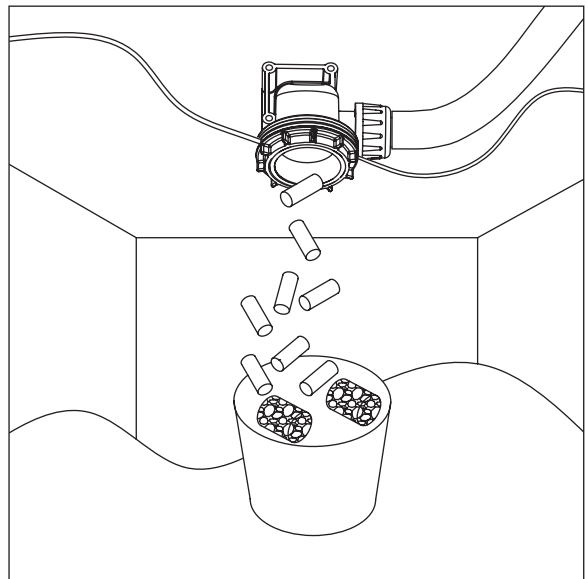
10. Reconnect coupling. When sanitizing cycle ends, machine will start producing ice. Press power switch ON. Ice pushes Sani-Sponges through tube (Fig. 10).

Fig. 10



11. Place a sanitary (2 gallon or larger) container in bin or dispenser to collect Sani-Sponges and ice for 10 minutes. Collect 5.5 lbs (3kg) of ice from unit. Discard ice and Sani-Sponges (Fig. 11).

Fig. 11



Service

Ice machine operation (all models)

Follett's ice machine consists of five distinct functional systems covered in detail as follows:

- Water system
- Electrical control system
- Mechanical assembly
- Refrigeration system
- Bin full

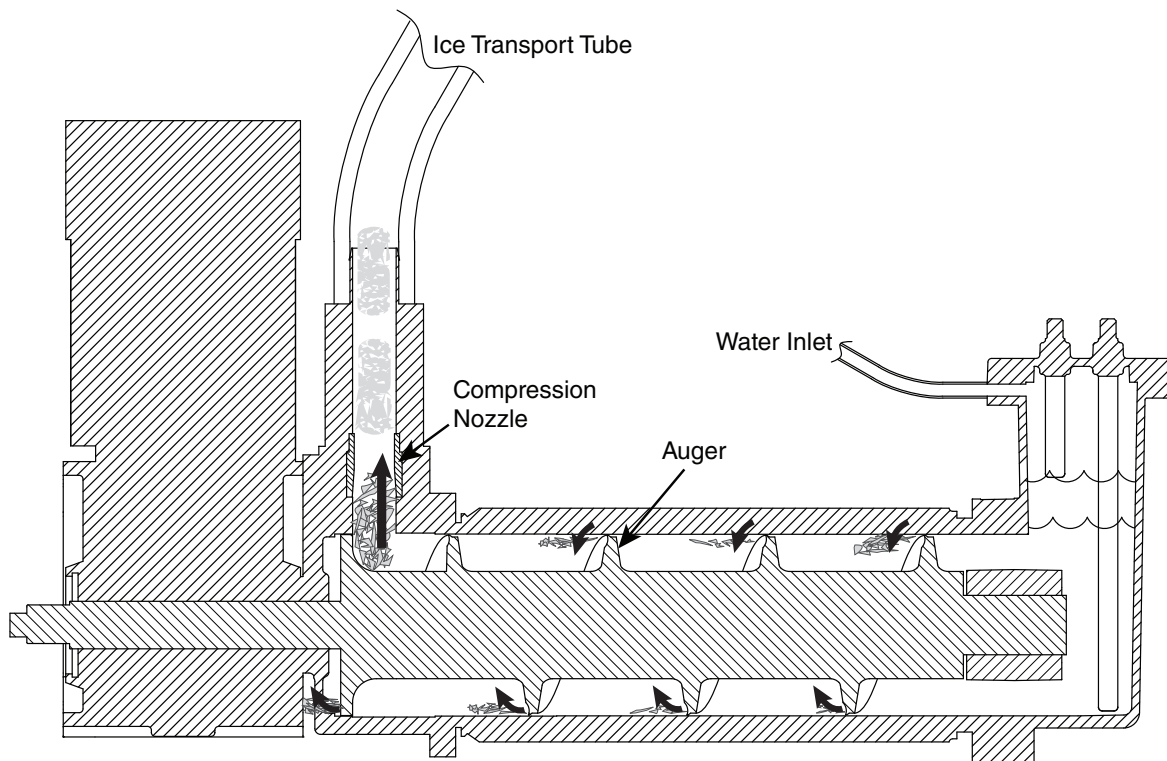
The Horizon ice machine overview

The Follett Horizon ice machine uses a horizontal, cylindrical evaporator to freeze water on its inner surface. The refrigeration cycle is continuous; there is no batch cycle. The evaporator is flooded with water and the level is controlled by sensors in a reservoir. A rotating auger (13 RPM) continuously scrapes ice from the inner wall of the evaporator. The auger moves harvested ice through the evaporator into an ice extrusion canal. The ice is forced through a restrictive nozzle that squeezes out the water and creates the Chewblet. The continuous extrusion process pushes the Chewblets through a transport tube into a dispenser or bin.

A solid state PC board controls and monitors the functionality of the ice machine. In addition to sequencing electrical components, the board monitors various operational parameters. A full complement of indicator lights allows visual status of the machine's operation. Additionally, the PC board controls the self-flushing feature of the ice machine. The evaporator water is periodically drained and replenished to remove minerals and sediment.

A unique "bin full" detection system is incorporated in the Horizon ice machine. A switch located at the ice discharge port of the machine detects the position of the transport tube. When the bin fills up with ice, the transport tube moves out of the normal running position, and the switch turns the ice maker off. A domed housing at the end of the transport tube contains the ice extrusion loads during shut down.

Harvest system diagram



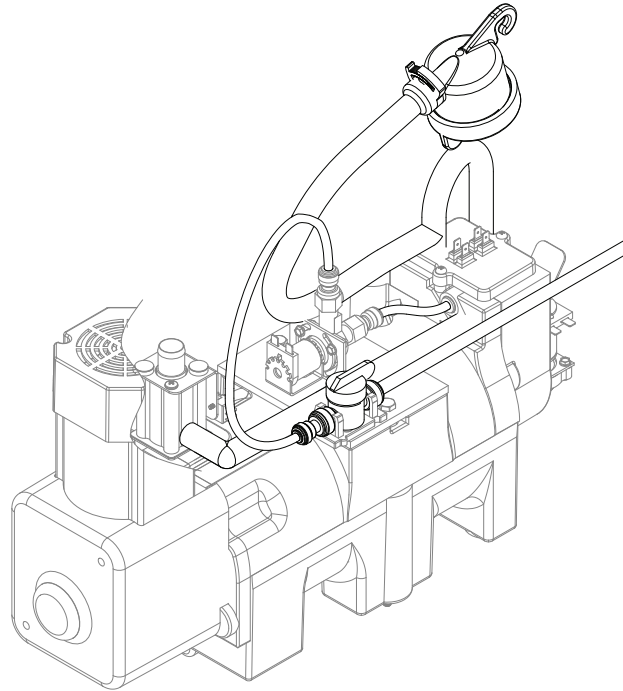
Water system

The water level in the evaporator is controlled by a feed solenoid and level detecting sensors. Referencing the diagram below, water sensing rods extend down into the reservoir at the end of the evaporator assembly. The system works via electrical conductivity as follows:

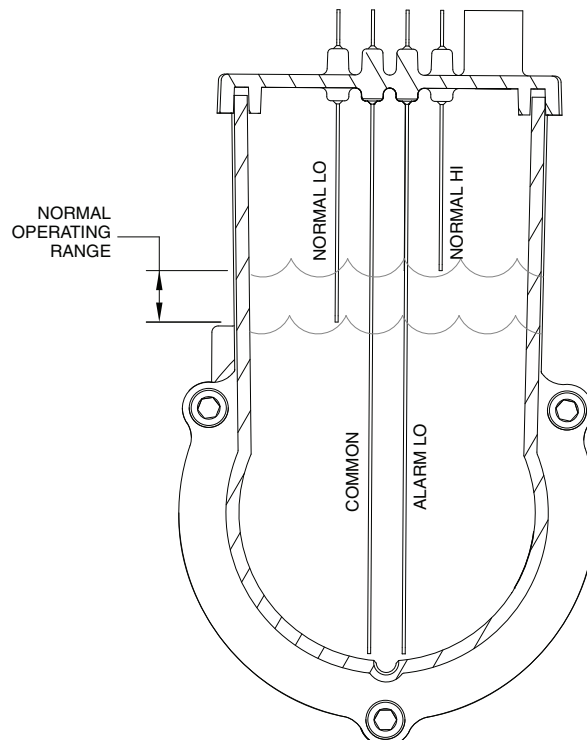
One of the longest probes is a common. When water is between any of the other probes and the common, the PC board will sense the activation. During normal operation, the water level rises and falls between the Normal High and Normal Low sensors. As water is consumed to make ice, the level will fall until the Normal Low sensor is exposed, triggering the water feed solenoid on. Water will fill until the Normal High sensor is activated.

Note: The potable water dissolved solids content must be greater than 10 ppm for the water control system to function properly. If using reverse osmosis water filtration system, ensure T.D.S level is greater than 10 ppm.

Water system diagram



Water level diagram



Electrical system



ATTENTION!

To prevent circuit breaker overload, wait 15 minutes before restarting this unit. This allows the compressor to equalize and the evaporator to thaw.

Normal control board operation

The PC board indicator lights provide all the information necessary to determine the machine's status. Green indicator lights generally represent “go” or normal operation; Yellow indicators represent normal off conditions; Red indicators generally represent alarm conditions, some of which will lock the machine off.

A flashing green light labeled POWER indicates power to the machine. All other normal operation status indicators are covered as follows:

Ice machine disposition	Operating conditions
Legend: ● ON ○ OFF ◐ ON or OFF ✕ FLASHING	
1. Ice machine is making ice. CLEANER FULL ○ DRAIN CLOG ○ HI PRESS ○ HI AMPS ○ SERVICE ○ MAINT/CLEAN ○ LOW WATER ○ TIME DELAY ○ NOT USED ○ MAKING ICE ● LOW BIN ● POWER ON ✕	1. Normal running.
2. Ice machine is not making ice. CLEANER FULL ○ DRAIN CLOG ○ HI PRESS ○ HI AMPS ○ SERVICE ○ MAINT/CLEAN ○ LOW WATER ● TIME DELAY ○ NOT USED ○ MAKING ICE ○ LOW BIN ● POWER ON ✕	2. Normal time delay. When the bin fills with ice, the LOW BIN light goes out momentarily and the refrigeration and auger drive systems immediately shut down. (Note: The fan motor will continue to run for 10 minutes to cool condenser) The TIME DELAY light comes on, initiating the time delay period. When the time delay expires, the machine will restart provided that the LOW BIN light is on.

DIP Switch Settings

	OFF	ON	
NOT USED	<input type="checkbox"/>	<input checked="" type="checkbox"/>	1 NOT USED
NOT USED	<input type="checkbox"/>	<input checked="" type="checkbox"/>	2 NOT USED
NOT USED	<input type="checkbox"/>	<input checked="" type="checkbox"/>	3 NOT USED
NOT USED	<input type="checkbox"/>	<input checked="" type="checkbox"/>	4 NOT USED
NOT USED	<input type="checkbox"/>	<input checked="" type="checkbox"/>	5 NOT USED
30 minute time delay	<input type="checkbox"/>	<input checked="" type="checkbox"/>	6 60 minute time delay
Flush disabled	<input type="checkbox"/>	<input checked="" type="checkbox"/>	7 Flush enabled
Maintenance timer ON	<input type="checkbox"/>	<input checked="" type="checkbox"/>	8 Maintenance timer OFF

Error faults:

The Horizon PC board monitors various operating parameters including high pressure, auger gearmotor amperage limits, clogged drain, and low water alarm conditions. There are two types of errors namely "hard" or "soft." A hard error is one that shuts the machine off and will not allow restart until the reset button is pressed. Even cycling power will not reset a hard error. A soft error can either be automatically reset should the condition rectify, or if power is cycled. Should an error occur, consult the troubleshooting guide in this manual or a Follett service technician.

Soft errors:

HI AMPS: The PC board monitors the amperage of the auger motor. Should the gear motor experience current draw above the allowable limit, the machine will shut down and the TIME DELAY and HI AMP will be illuminated. After the time delay the machine will restart and the TIME DELAY and HI AMP will clear.

LO WATER: During operation, the water level cycles between the normal low and normal high sensors. Should the water be shut off to a running machine, a soft error will occur. The error sequence is as follows: During operation, the water level falls to the normal low sensor, and when it does the water feed solenoid is energized. If water is not detected at the normal low sensor within 10 seconds, a soft error will occur. The machine will shut down, but the water feed solenoid will remain energized. Should water return, it will fill to the normal low sensor and the machine will resume normal operation. The error will clear automatically.

HI PRESSURE: Should the refrigeration pressure rise above 425 psi, the machine will shut down and the TIME DELAY and HIGH PRESSURE will be illuminated. After the time delay, and if the pressure has fallen back below the reset point of 295 psi, the machine will restart and the TIME DELAY and HIGH PRESSURE will clear.

Hard error:

DRAIN CLOG: The drain clog sensor, located in the chassis, underneath the rear drain pan, will detect the presence of water just below the top edge of the pan. If water does not properly flow out of the drain pan it will overflow into the chassis and rise to the sensor (especially during a self-flushing purge cycle). Pressing the reset button will restart the ice machine.

Relay output indication:

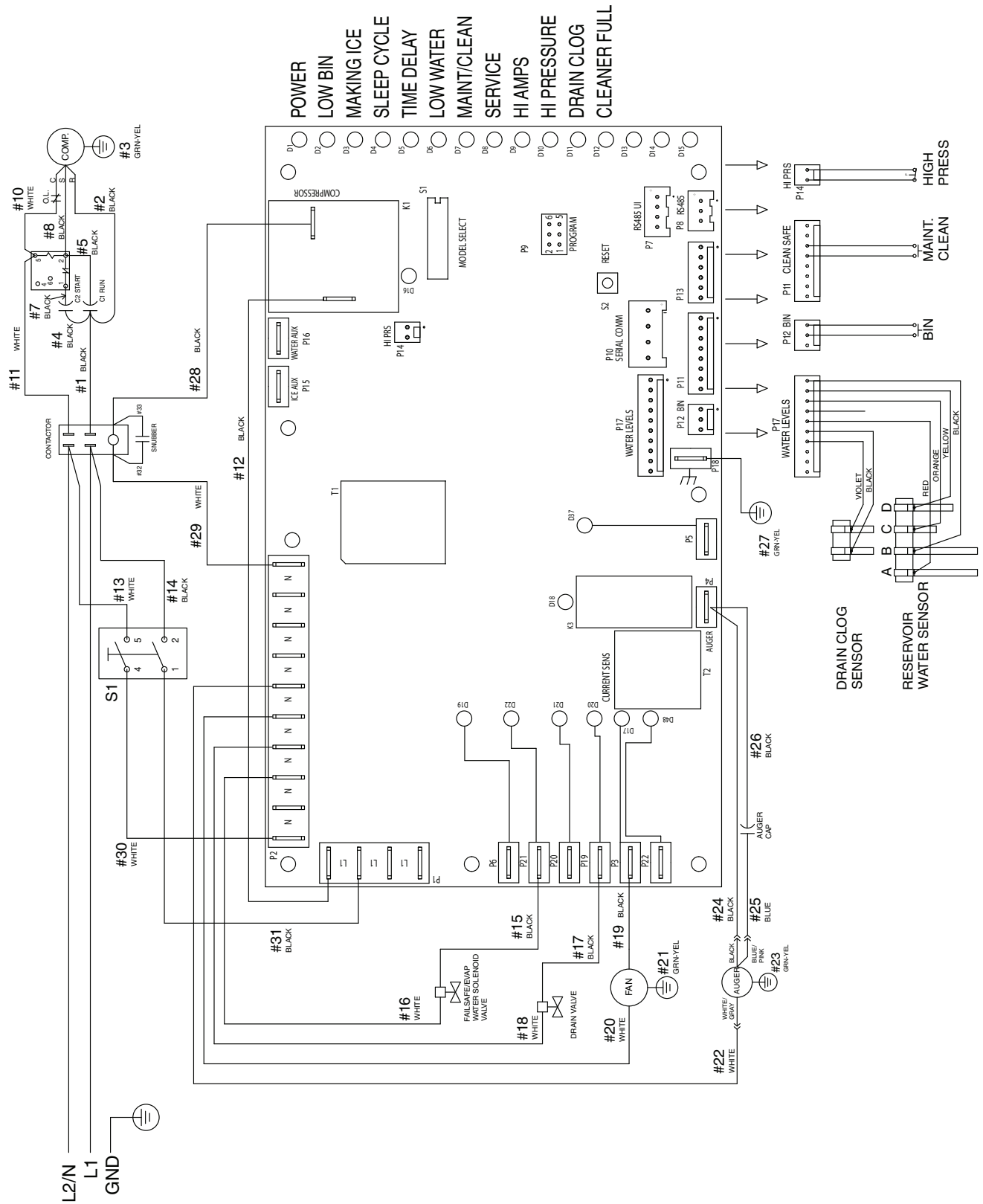
Each relay on the board has an indicator light associated with its output. For example, when the relay for the water feed solenoid is energized, the adjacent indicator light glows green.

Flushing logic

Flush on fly: For every one (1) hour of ice making time, the machine will open the drain valve for a duration of 60 seconds. While the drain valve is open, the machine will continue to make ice and the water feed valve will cycle to maintain water level.

Off cycle: At the completion of off-cycle time delay, the machine checks for a cumulative one (1) hour of ice making time since the last **off-cycle** flush. If the cumulative ice making time exceeds one (1) hour, the machine will open the drain valve for 60 seconds to drain the evaporator in its entirety. It will then refill with water and begin making ice. If the ice making time is less than 1 hour, the machine will start and begin making ice without draining the evaporator.

Wiring diagram



Compressor data

Compressor current draw at 230 VAC

Air/Water-cooled	60 F/15.5 C	70 F/21.1 C	80 F/26.7 C	90 F/32.2 C	100 F/37.8 C
	4.13A	4.06A	4.08A	4.10A	4.45A

Locked rotor amps: 31A @ 230V

Gearmotor data

Gearmotor current: 0.53A @ 230V

Gearmotor torque-out (high amp) trip point: 0.9A @ 230V

Locked rotor amps: 1A @ 230V

Resistance of windings

230 vac gearmotor (Brother):

White to black: 62 Ω

White to tan: 62 Ω

Tan to black: 124 Ω

Compressor start winding (230V) 5.95 Ω

Compressor run winding (230V) 0.69 Ω

Fan motor 38 Ω

Fan motor data

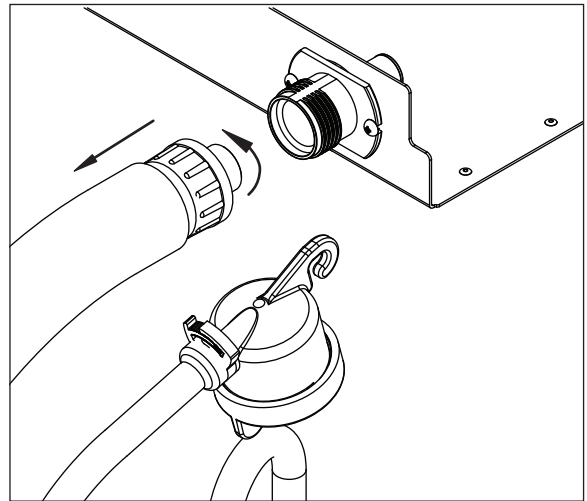
Fan motor current 0.75A @ 230V

Mechanical System

Evaporator disassembly

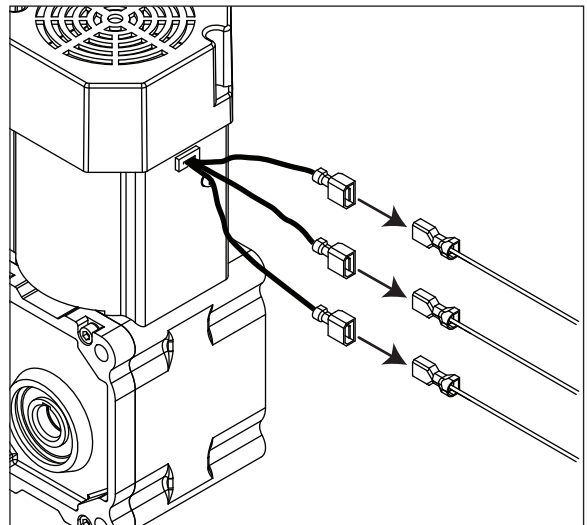
1. Press CLEAN button to purge evaporator. Turn power OFF when LO WATER lights.
2. Unscrew and disconnect transport tube from louvered docking assembly.

Fig. 12



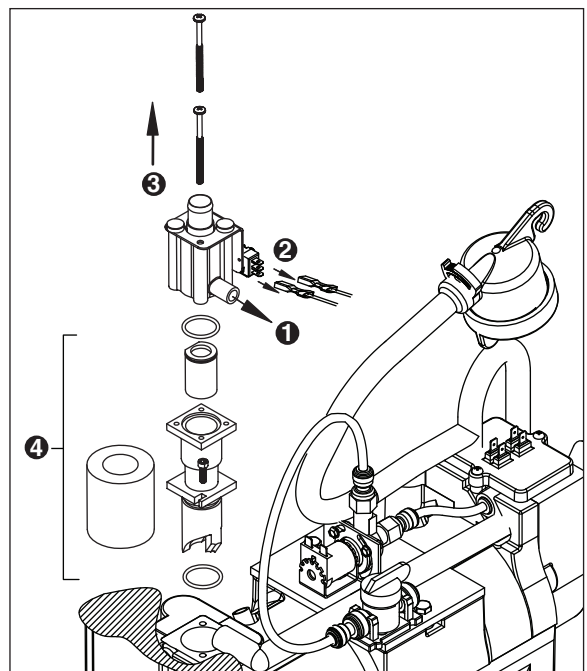
3. Unplug gear motor.

Fig. 13



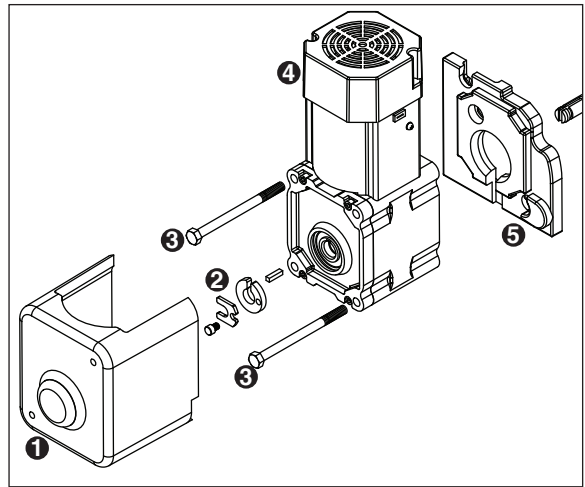
4. Remove shuttle housing:
 - Remove vent tube (**Fig. 14.1**).
 - Disconnect shuttle housing switch connections (**Fig. 14.2**).
 - Remove two screws and lift shuttle housing (**Fig. 14.3**).
 - Remove stream divider (**Fig. 14.4**).

Fig. 14



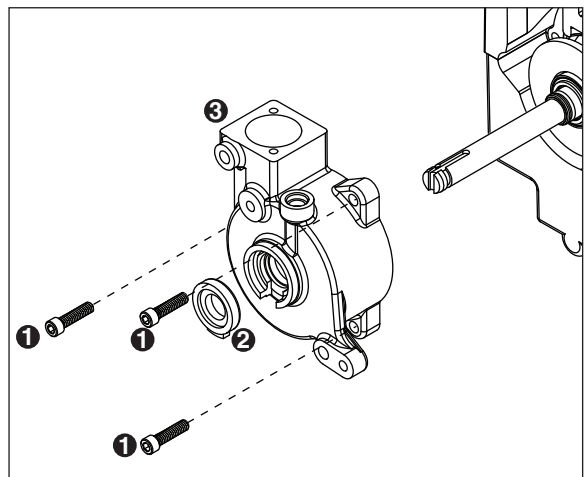
5. Remove gear motor:
 - Remove gear motor insulation (**Fig. 15.1**).
 - Remove 1/4-20 screw, retainer, and spacer (**Fig. 15.2**).
 - Remove two 1/2" bolts (**Fig. 15.3**).
 - Pull gear motor from auger (**Fig. 15.4**).
 - Remove main housing insulation (**Fig. 15.5**).
6. Remove all traces of petro-gel from auger shaft.

Fig. 15



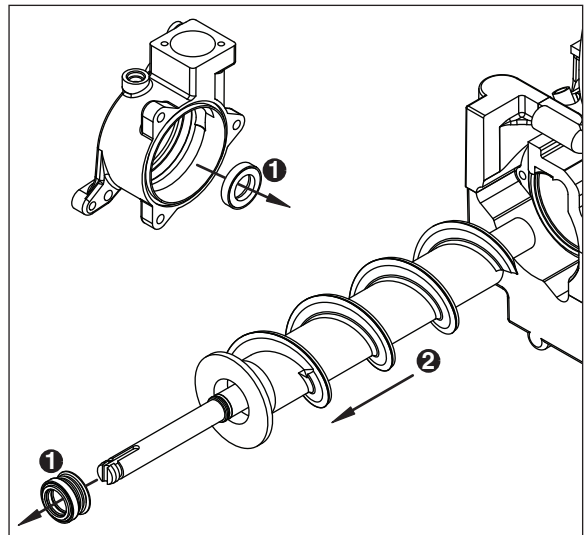
7. Remove main housing:
 - Use an allen wrench to remove 3/16" allen screws (3) (**Fig. 16.1**).
 - Remove shaft insulation (**Fig. 16.2**).
 - Remove main housing (**Fig. 16.3**).

Fig. 16



8. Remove and discard mating ring and seal (**Fig. 17.1**).
9. Carefully remove auger (**Fig. 17.2**).

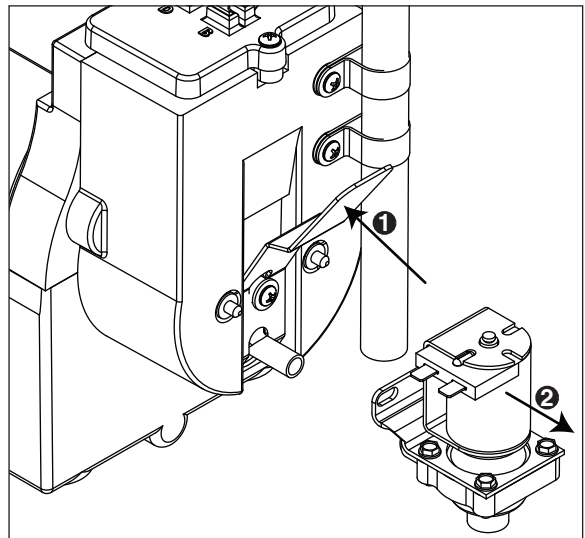
Fig. 17



⚠ WARNING!
 Use caution when removing auger. The auger is very sharp - handle with care to avoid personal injury.

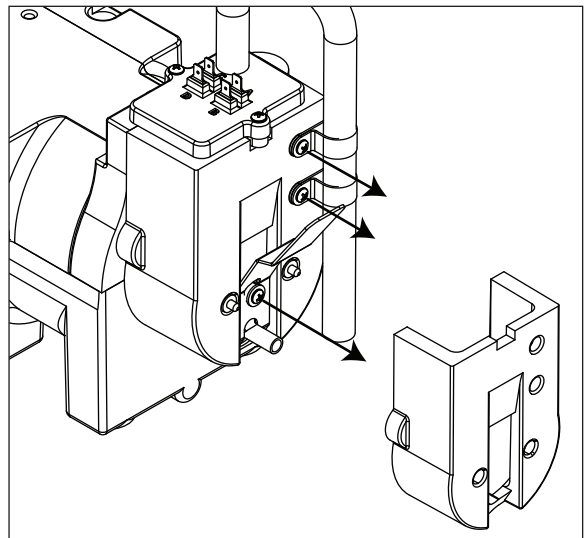
10. Press the lever on the back of the reservoir (Fig. 18.1) to release and remove the solenoid (Fig. 18.2).

Fig. 18



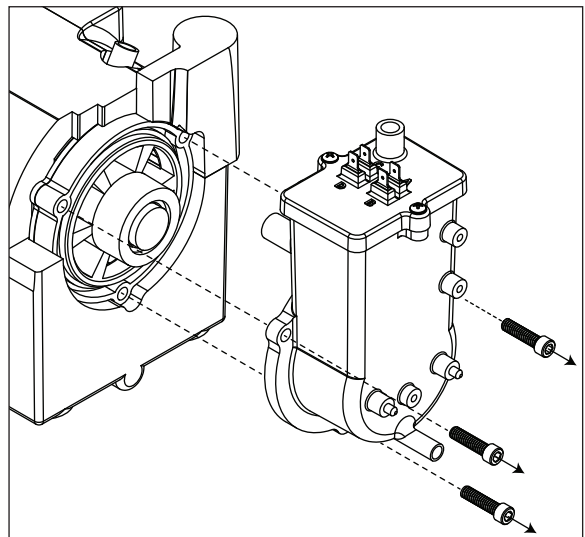
11. Remove three screws to remove the reservoir insulation (Fig. 19).

Fig. 19



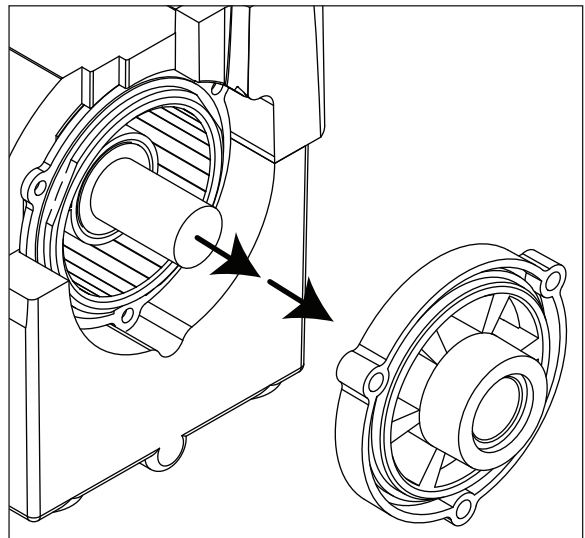
12. Remove three screws to remove the reservoir (Fig. 20).

Fig. 20



13. To remove the rear bushing, place the auger into the evaporator and use it to gently tap and dislodge the rear bushing housing (**Fig. 21**).

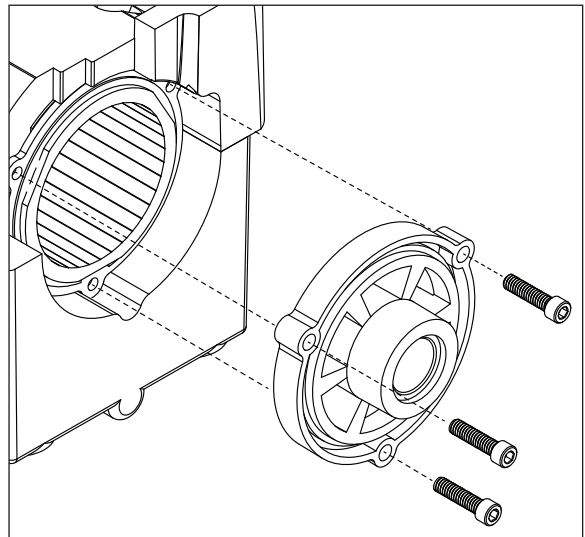
Fig. 21



Evaporator reassembly

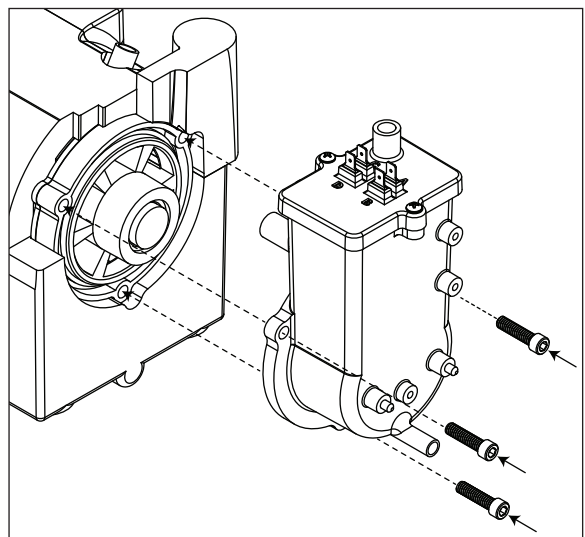
1. Remove and inspect O ring seal. Replace if damaged in any way.
2. Place rear bushing into evaporator.
3. Install the three bolts: partially tighten each bolt, alternating bolts until the rear bushing is fully seated and properly aligned (**Fig. 22**).
4. When fully seated, remove the bolts.

Fig. 22



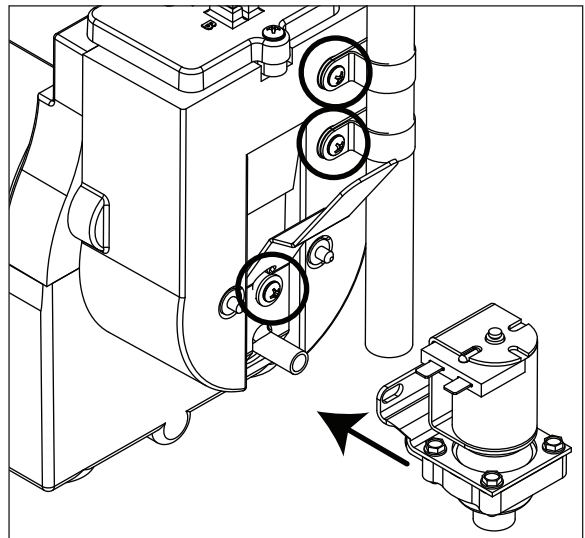
5. Install the reservoir with three bolts (**Fig. 23**).

Fig. 23



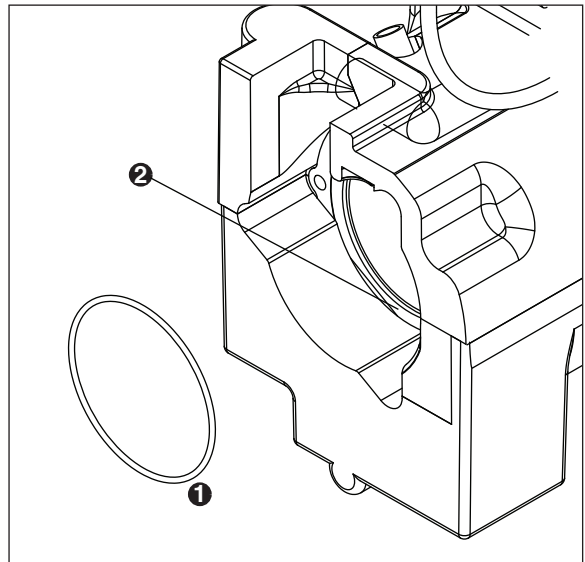
6. Install the reservoir insulation, tube clamp, and solenoid lever with three screws.
7. Install solenoid.

Fig. 24



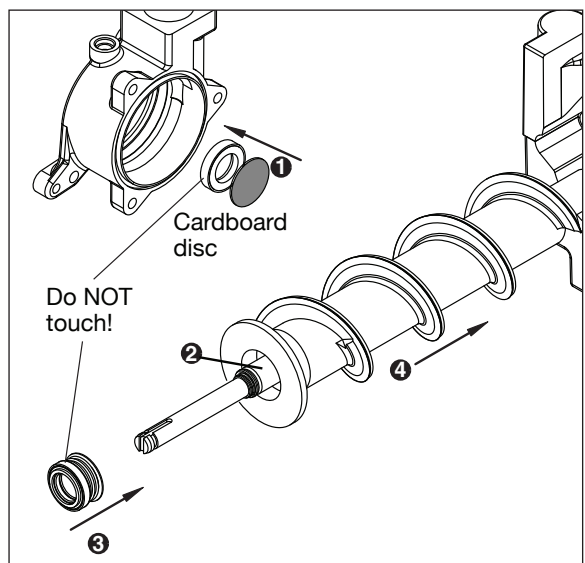
1. Remove and inspect O ring seal. Replace if damaged in any way (**Fig. 25.1**).
2. Clean O ring groove. Lubricate O ring with petrol-gel and reinstall (**Fig. 25.2**).

Fig. 25



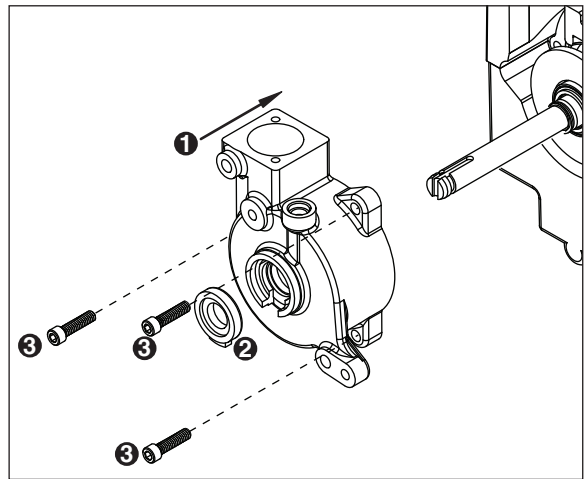
3. Use cardboard disc to press new mating ring into main housing (**Fig. 26.1**).
 4. Lube the shaft with liquid soap in the area shown (**Fig. 26.2**) and slip on seal and spring (**Fig. 26.3**).
- Note:** Do not touch the sealing surfaces with bare hands. Contact with bare skin will cause premature seal failure.
5. Install auger (**Fig. 26.4**).

Fig. 26



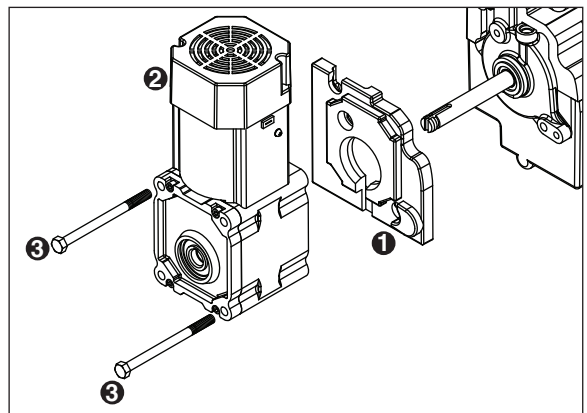
6. Install main housing:
 - Slide main housing onto auger shaft (**Fig. 27.1**).
 - Install main housing insulation (**Fig. 27.2**).
 - Use an allen wrench to install 3/16" allen screws (3) (**Fig. 27.3**).

Fig. 27



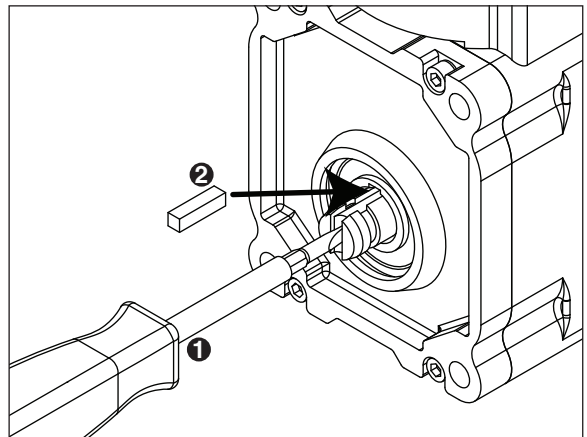
7. Apply a coat of petrol-gel to the auger shaft.
8. Install gear motor:
 - Install main housing insulation (**Fig. 28.1**).
 - Slide gear motor onto the auger shaft (**Fig. 28.2**).
 - Install two 1/2" bolts (**Fig. 28.3**).

Fig. 28



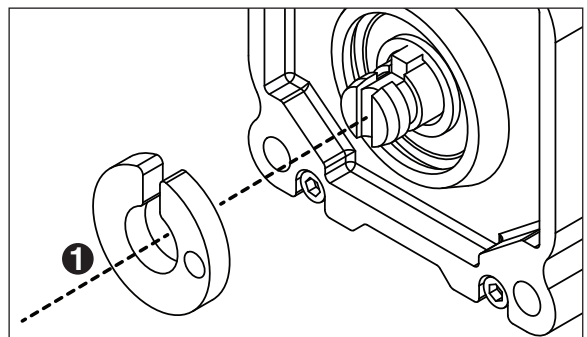
9. Use screwdriver to orient auger shaft to align with motor shaft keyway (**Fig. 29.1**).
10. Install key into keyway (**Fig. 29.2**).

Fig. 29



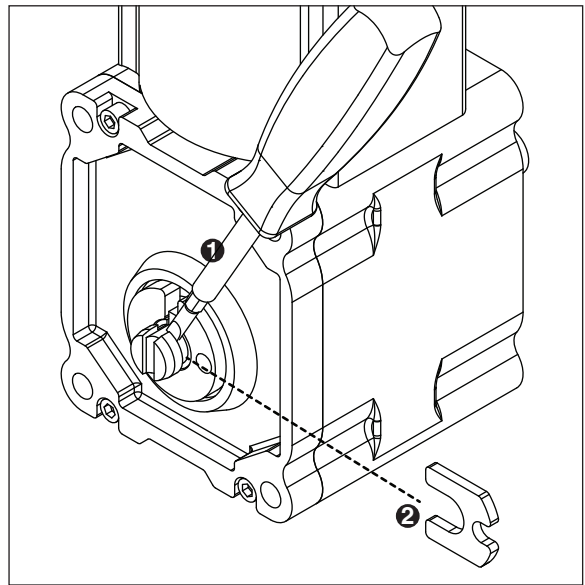
11. Install spacer, ensure that key is captured in slot (**Fig. 30.1**)

Fig. 30



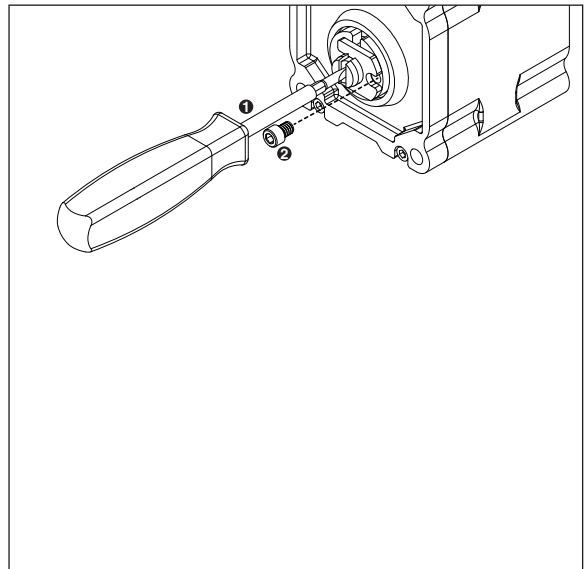
12. Insert screwdriver into groove of auger shaft and pry shaft outwards (**Fig. 31.1**).
13. Insert retainer into groove (**Fig. 31.2**), ensure that retainer is aligned with hole in spacer.

Fig. 31



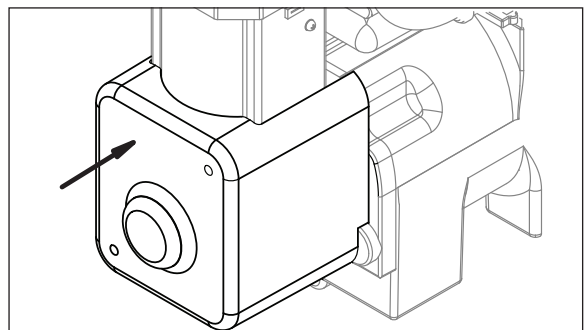
14. Install screw and tighten (**Fig. 32.1**).

Fig. 32



15. Install gear motor insulation.

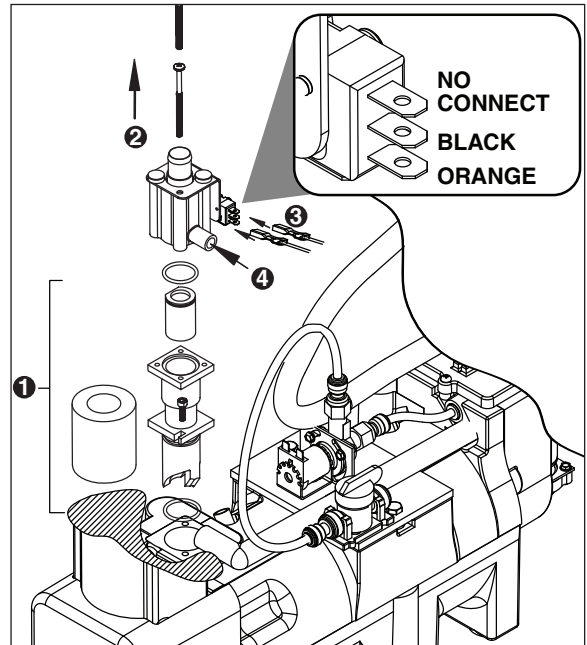
Fig. 33



16. Install shuttle housing:

- Install stream divider (Fig. 34.1).
- Place shuttle housing and install two screws (Fig. 34.2).
- Plug in shuttle housing connections (Fig. 34.3).
- Connect vent tube (Fig. 34.4).

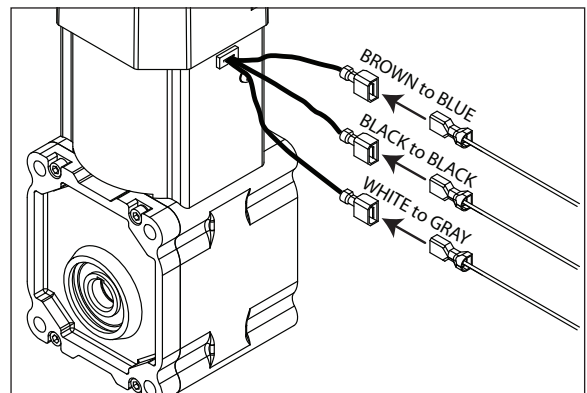
Fig. 34



17. Plug in gear motor.

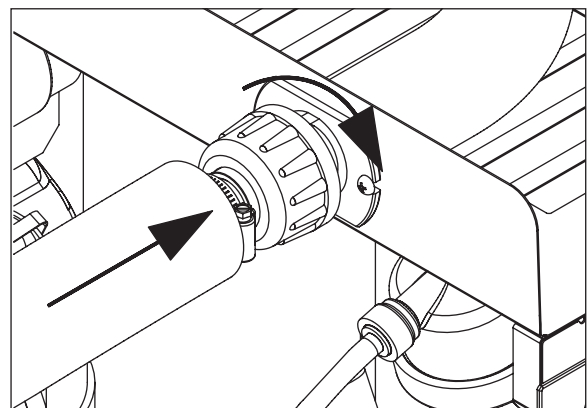
- BROWN to BLUE
- BLACK to BLACK
- WHITE to GRAY

Fig. 35



18. Connect transport tube to louvered docking assembly.

Fig. 36



Refrigeration system

Refrigerant pressure data

Air-cooled condensers (air)	60 F/16 C	70 F/21 C	80 F/27 C	90 F/32 C	100 F/38 C
Pressure (psig) discharge/suction	190/31	220/33	250/35	285/37	315/40

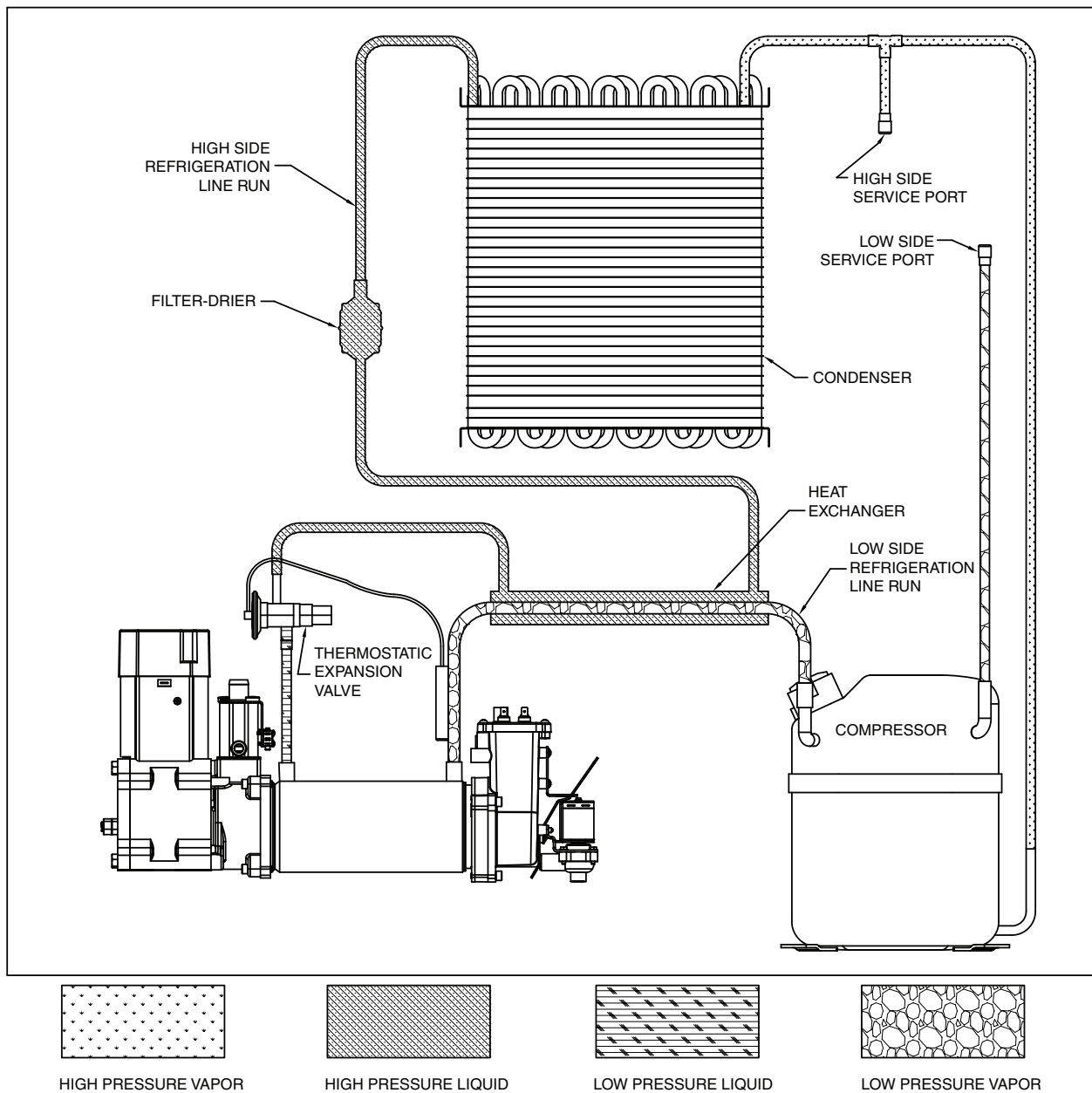
Water-cooled condensers (water)	60 F/16 C	70 F/21 C	80 F/27 C	90 F/32 C
Pressure (psig) discharge/suction	215/29	215/31	215/33	215/35

Pressure (psig) discharge/suction

215/29 215/31 215/33 215/35

Note: The water control valve is factory set to maintain 215 ± 15 psi discharge pressure @ 70 F/21 C water.

Refrigeration system diagram



Refrigeration charge

All service on refrigeration systems must be performed in accordance with all federal, state and local laws. It is the responsibility of the technician to ensure that these requirements are met. Recharging ice machine to other than factory specifications will void the warranty.

R404A ice machine charge specifications		
Model	Charge	Refrigerant type
HCE700A (air-cooled)	19 oz (539g)	R404A
HCE700W (water-cooled)	15 oz (425g)	R404A

Refrigerant replacement requirements

1. Non-contaminated refrigerant removed from any Follett refrigeration system can be recycled and returned to the same system after completing repairs. Recycled refrigerant must be stored in a clean, approved storage container. If additional refrigerant is required, virgin or reclaimed refrigerant that meets ARI standard 700-88 must be used.
2. In the event of system contamination (for example, a compressor burn out, refrigerant leak, presence of non-condensibles or moisture), the system must be repaired, evacuated and recharged using virgin or reclaimed refrigerant that meets ARI standard 700-88.
3. Follett Corporation does not approve of recovered refrigerants. Improper refrigeration servicing procedures will void the factory warranty.

Evacuation

Evacuate the system to a level of 500 microns. When the 500 micron level is reached, close all valves. Allow the system to sit for approximately 20 minutes. During this period the system pressure should not rise. If the system pressure rises and stabilizes there is moisture in the system and further evacuation is needed. If the pressure continues to rise check the system for leaks.

Ambients	Minimum	Maximum
Air temperature ¹	50 F/10 C	100 F/37.8 C
Water temperature ²	45 F/7 C	90 F/32.2 C

¹Ambient air temperature is measured at the air-cooled condenser coil inlet.

²Ambient water temperature is measured in the ice machine water reservoir.

Ice capacity test

Ice machine production capacity can only be determined by weighing ice produced in a specific time period.

1. Replace all panels on ice machine.
2. Run ice machine for at least 15 minutes.
3. Weigh and record weight of container used to catch ice.
4. Catch ice for 15 or 20 minutes.
5. Weigh harvested ice and record total weight.
6. Subtract weight of container from total weight.
7. Convert fractions of pounds to decimal equivalents (ex. 6 lbs 8oz = 6.5 lbs).
8. Calculate production using following formula:

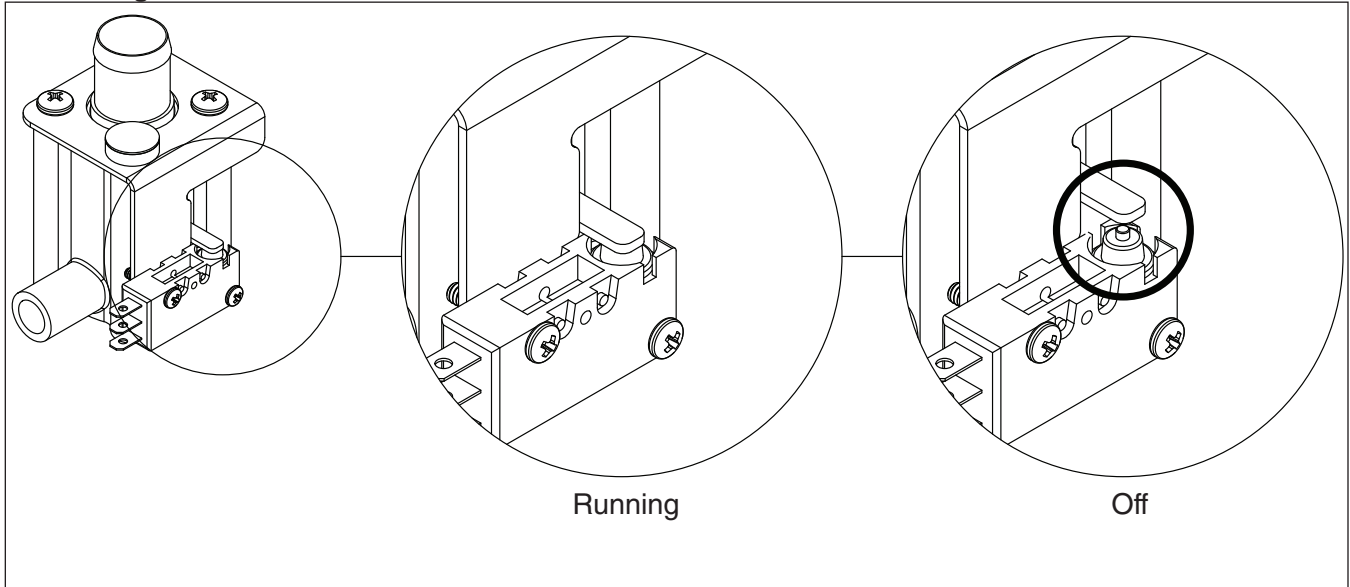
$$\frac{1440 \text{ min.} \times \text{wt. of ice produced}}{\text{Total test time in minutes}} = \text{Production capacity/24 hr.}$$

9. Calculated amount per 24 hours should be checked against rated capacity for same ambient and water temperatures in Ice Production Tables.

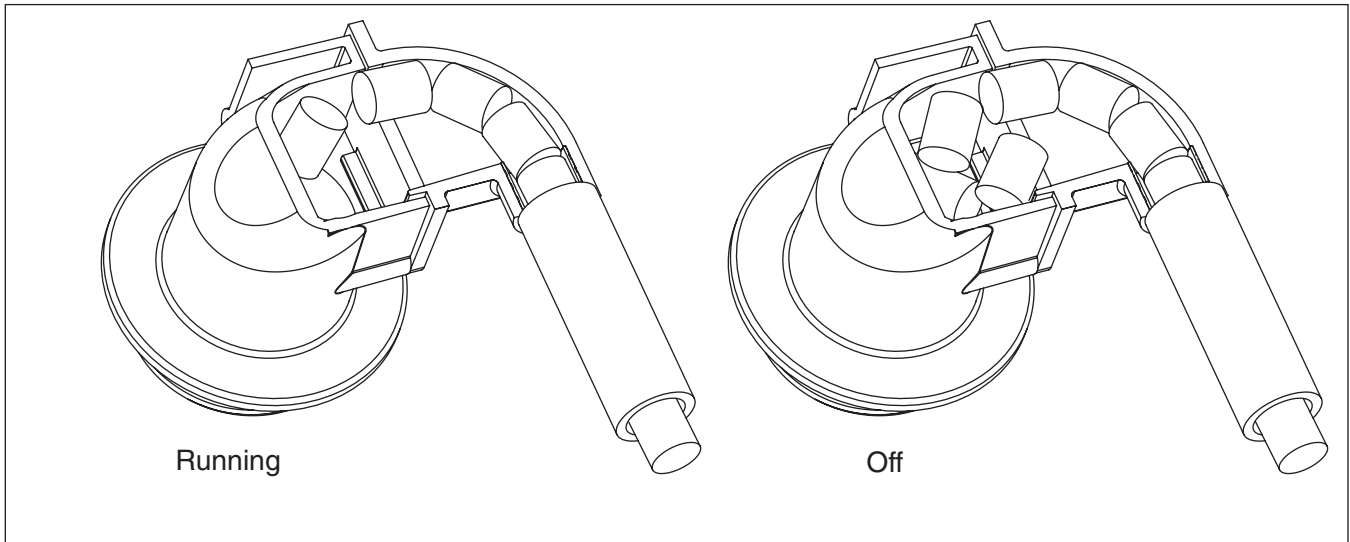
“Bin full” detection system

The Follett Horizon ice machine incorporates a unique “bin full” detection system that consists of the shuttle and actuator. The shuttle incorporates a flag and switch. Referencing the figure below, the normal running position of the flag is down, and the switch is closed. When the bin fills to the top and ice can no longer move through the tube, the machine will force the shuttle flag up, opening the switch and shutting the machine off. The shuttle actuator, located above the ice bin allows the ice to curl up within it when the bin is full. In this way, there are no loads generated that would tend to lift off the lid of the bin.

Shuttle flag and sensor



Shuttle actuator



Troubleshooting

Please see "Service" section for a description of each function.

Ice machine disposition	Possible causes	Corrective action
<p>Legend: ● ON ○ OFF ◐ ON or OFF ⊗ FLASHING</p>		
<p>1. Ice machine is in running condition but not making ice.</p> <p>CLEANER FULL ○ DRAIN CLOG ○ HI PRESS ○ HI AMPS ○ SERVICE ○ MAINT/CLEAN ○ LOW WATER ○ TIME DELAY ○ NOT USED ○ MAKING ICE ● LOW BIN ● POWER ON ⊗</p>	<ol style="list-style-type: none"> Defective compressor. Defective start relay. Defective start capacitor. Defective run capacitor. Defective main contactor. No output from PC board. Machine in Purge cycle. 	<ol style="list-style-type: none"> Replace compressor. Replace start relay. Replace start capacitor. Replace run capacitor. Replace main contactor. Replace PC board. Check for Purge operation.
<p>2. Machine in TIME DELAY without full bin.</p> <p>CLEANER FULL ○ DRAIN CLOG ○ HI PRESS ○ HI AMPS ○ SERVICE ○ MAINT/CLEAN ○ LOW WATER ○ TIME DELAY ◐ NOT USED ○ MAKING ICE ○ LOW BIN ◐ POWER ON ⊗</p>	<ol style="list-style-type: none"> Ice jamming due to improperly installed transport tube causing a false shuttle. Shuttle stuck in up position. Damaged or improperly installed thermostat (open). Transport tube backed-out of coupling. 	<ol style="list-style-type: none"> Correct transport tube routing. Repair or replace shuttle mechanism. Replace or reposition thermostat. Correct coupling installation.
<p>3. Ice machine is not making ice. HI AMPS.</p> <p>CLEANER FULL ○ DRAIN CLOG ○ HI PRESS ○ HI AMPS ● SERVICE ○ MAINT/CLEAN ○ LOW WATER ○ TIME DELAY ○ NOT USED ○ MAKING ICE ○ LOW BIN ◐ POWER ON ⊗</p>	<ol style="list-style-type: none"> Poor water quality causing ice to jam auger. Damaged shuttle mechanism. Intermittent drive output from PC board. Evaporator will freeze causing a HI AMPS error. Gearmotor is unplugged. 	<ol style="list-style-type: none"> Clean ice machine. Increase flushing frequency. Replace or repair shuttle mechanism. Replace PC board. Plug in gearmotor.
<p>4. Ice machine is not making ice. HI PRESSURE.</p> <p>CLEANER FULL ○ DRAIN CLOG ○ HI PRESS ● HI AMPS ○ SERVICE ○ MAINT/CLEAN ○ LOW WATER ○ TIME DELAY ○ NOT USED ○ MAKING ICE ○ LOW BIN ◐ POWER ON ⊗</p>	<ol style="list-style-type: none"> High ambient temperatures >100 F (38 C). Poor ventilation or air recirculation. Clogged condenser (air-cooled). No water flow through condenser (water-cooled). Fan not working properly. No air flow. <ul style="list-style-type: none"> Blocked fan blades No fan output from PC board Faulty fan motor 	<ol style="list-style-type: none"> Air condition area to below 100 F (38 C). Reposition ice machine or properly ventilate. Prevent ice machine exhaust from recirculating. Clean condenser grille (air-cooled). Restore water flow to condenser. Correct air flow. <ul style="list-style-type: none"> Remove any blockage from fan blades Replace PC board Replace fan motor

Ice machine disposition	Possible causes	Corrective action
<p>5. Ice machine is not making ice. Drain clog.</p> <p> <input type="radio"/> CLEANER FULL <input checked="" type="radio"/> DRAIN CLOG <input type="radio"/> HI PRESS <input type="radio"/> HI AMPS <input type="radio"/> SERVICE <input type="radio"/> MAINT/CLEAN <input type="radio"/> LOW WATER <input type="radio"/> TIME DELAY <input type="radio"/> NOT USED <input type="radio"/> MAKING ICE <input checked="" type="radio"/> LOW BIN <input checked="" type="radio"/> POWER ON </p>	<p>1. Drain hose kinked or plugged causing water to back up.</p> <p>2. Improper floor drain routing/pitch causing water to back up.</p> <p>3. High TDS levels and leaking drain solenoid may cause an errant drain clog.</p> <p>4. No vent on external drain line.</p>	<p>1. Remove kink or blockage from drain hose.</p> <p>2. Re-route floor drain.</p> <p>3. Clean area around drain sensor and/or replace Drain solenoid valve.</p> <p>4. Add vent to drain line.</p>
<p>6. Ice machine is making ice. Excessive water in bin or coming into bin from transport tube.</p> <p> <input type="radio"/> CLEANER FULL <input type="radio"/> DRAIN CLOG <input type="radio"/> HI PRESS <input type="radio"/> HI AMPS <input type="radio"/> SERVICE <input type="radio"/> MAINT/CLEAN <input type="radio"/> LOW WATER <input type="radio"/> TIME DELAY <input type="radio"/> NOT USED <input checked="" type="radio"/> MAKING ICE <input checked="" type="radio"/> LOW BIN <input checked="" type="radio"/> POWER ON </p>	<p>1. Failed water sensors. Processor assumes there is no water when there is water.</p> <p>2. Blocked reservoir vent.</p> <p>3. Defective water feed solenoid valve. Stuck in open position.</p>	<p>1. Clean or replace water probe assembly. Check wiring connections.</p> <p>2. Clean or replace vent tubes.</p> <p>3. Replace water feed solenoid valve.</p>
<p>7. Ice machine is not making ice. Lo water.</p> <p> <input type="radio"/> CLEANER FULL <input type="radio"/> DRAIN CLOG <input type="radio"/> HI PRESS <input type="radio"/> HI AMPS <input type="radio"/> SERVICE <input type="radio"/> MAINT/CLEAN <input checked="" type="radio"/> LOW WATER <input checked="" type="radio"/> TIME DELAY <input type="radio"/> NOT USED <input type="radio"/> MAKING ICE <input checked="" type="radio"/> LOW BIN <input checked="" type="radio"/> POWER ON </p>	<p>1. Water supply is insufficient.</p> <p>2. Low water pressure.</p> <p>3. Defective water feed solenoid valve. Stuck in closed position.</p> <p>4. No water feed output from PC board.</p>	<p>1. Restore water supply and check water filters. If evaporator was completely empty the reset button may have to be pressed to restart the ice machine.</p> <p>2. Ice machine will eventually start when water reaches normal lo level.</p> <p>3. Replace water feed solenoid valve.</p> <p>4. Replace PC board.</p>
<p>8. Service required.</p> <p> <input type="radio"/> CLEANER FULL <input type="radio"/> DRAIN CLOG <input type="radio"/> HI PRESS <input type="radio"/> HI AMPS <input checked="" type="radio"/> SERVICE <input type="radio"/> MAINT/CLEAN <input type="radio"/> LOW WATER <input type="radio"/> TIME DELAY <input type="radio"/> NOT USED <input type="radio"/> MAKING ICE <input type="radio"/> LOW BIN <input checked="" type="radio"/> POWER ON </p>	<p>1. 30,000 hour bushing check.</p>	<p>1. Call Follett technical service group at (877) 612-5086 or +1 (610) 252-7301.</p>



ATTENTION!

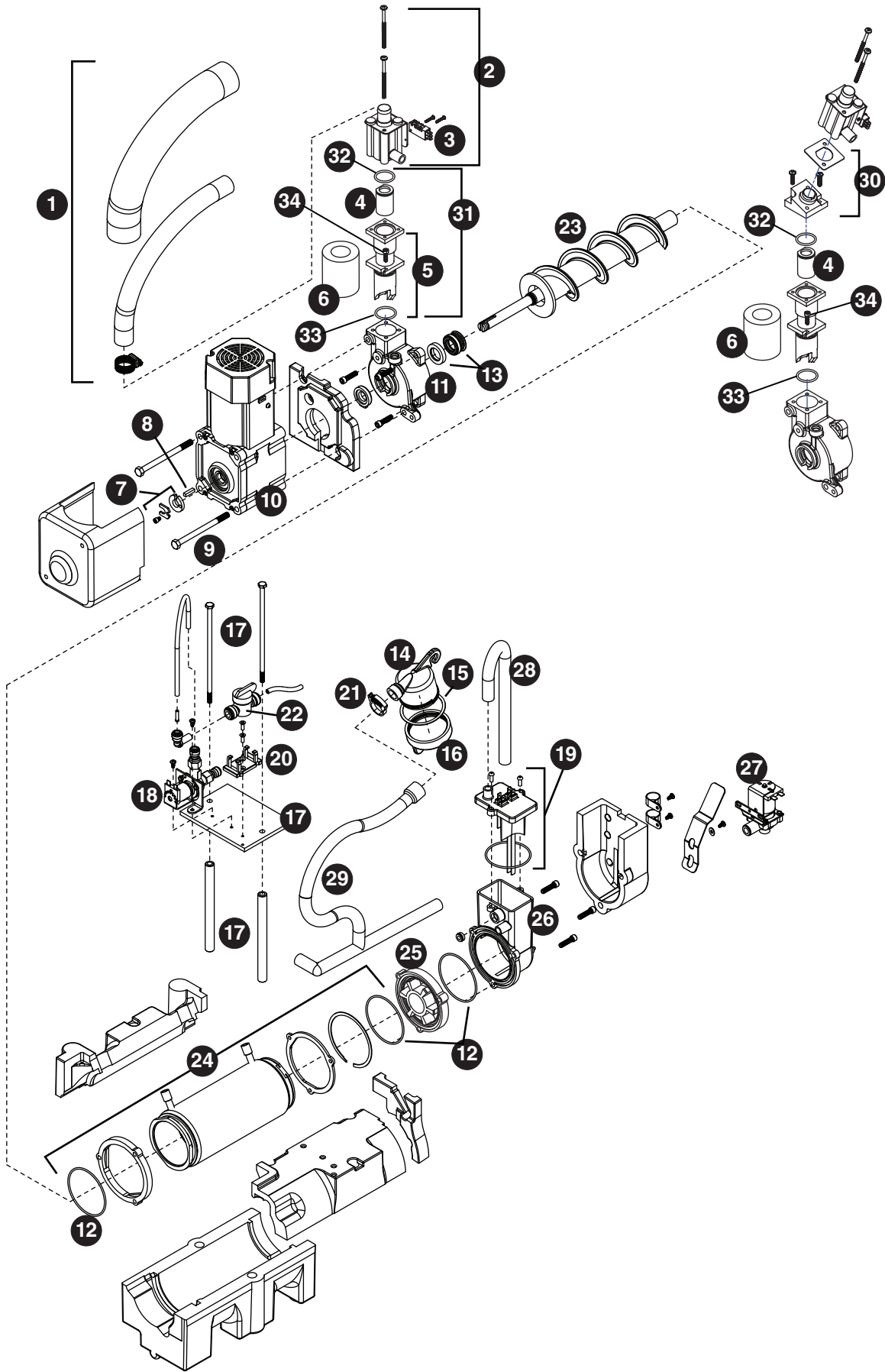
To prevent circuit breaker overload, wait 15 minutes before restarting this unit. This allows the compressor to equalize and the evaporator to thaw.

THIS PAGE INTENTIONALLY LEFT BLANK

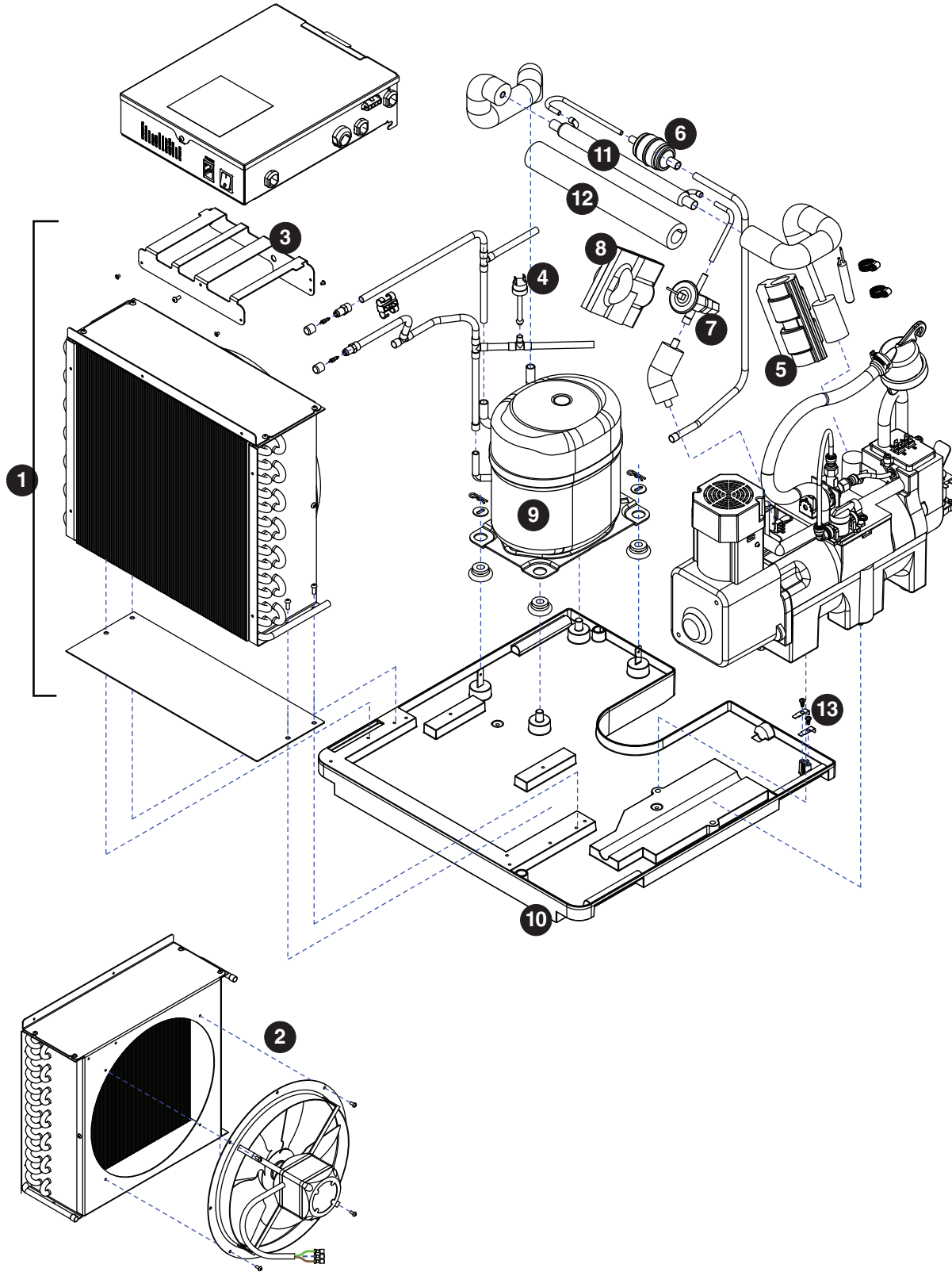
Replacement parts

Order parts online
www.follettice.com

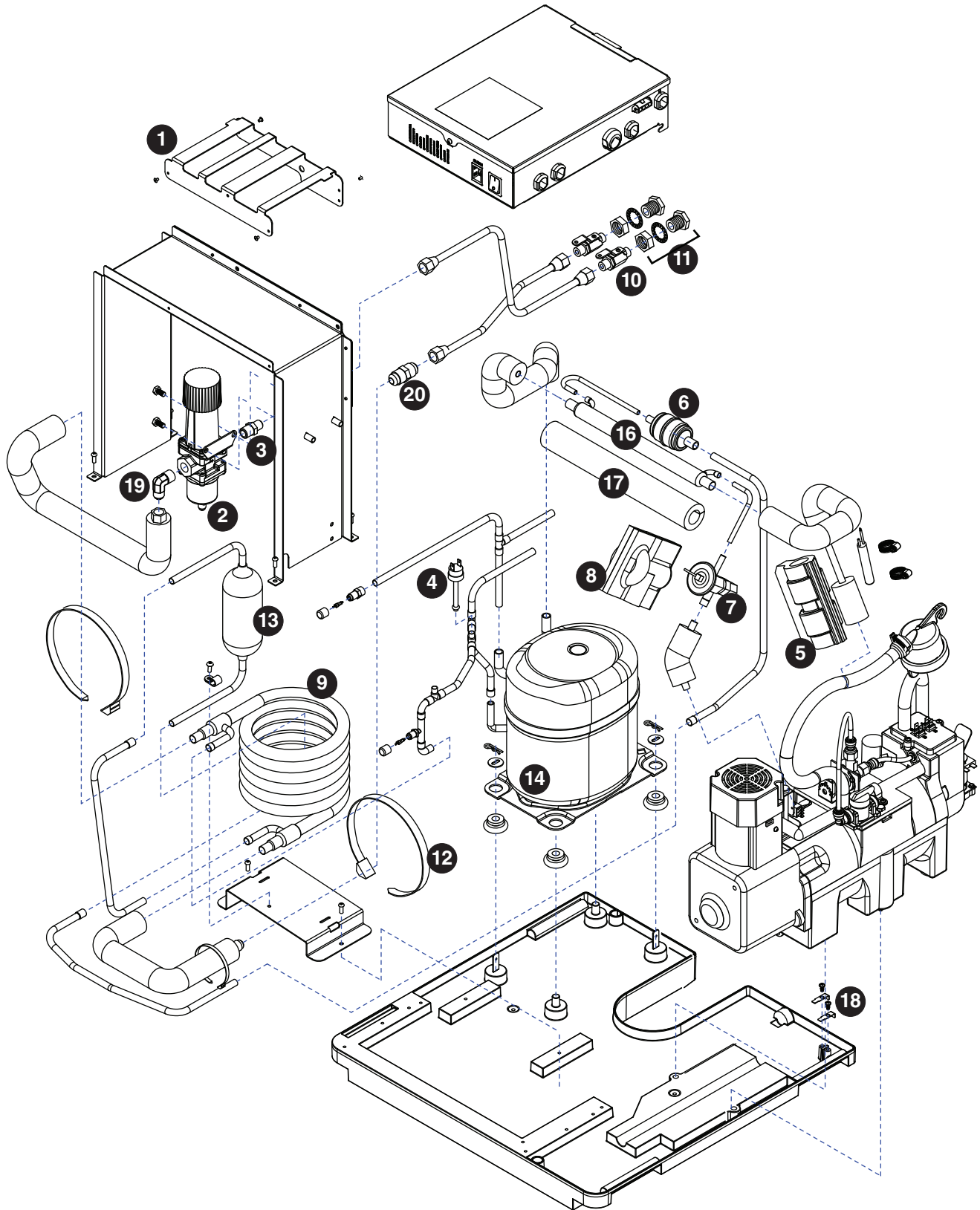
Evaporator assembly



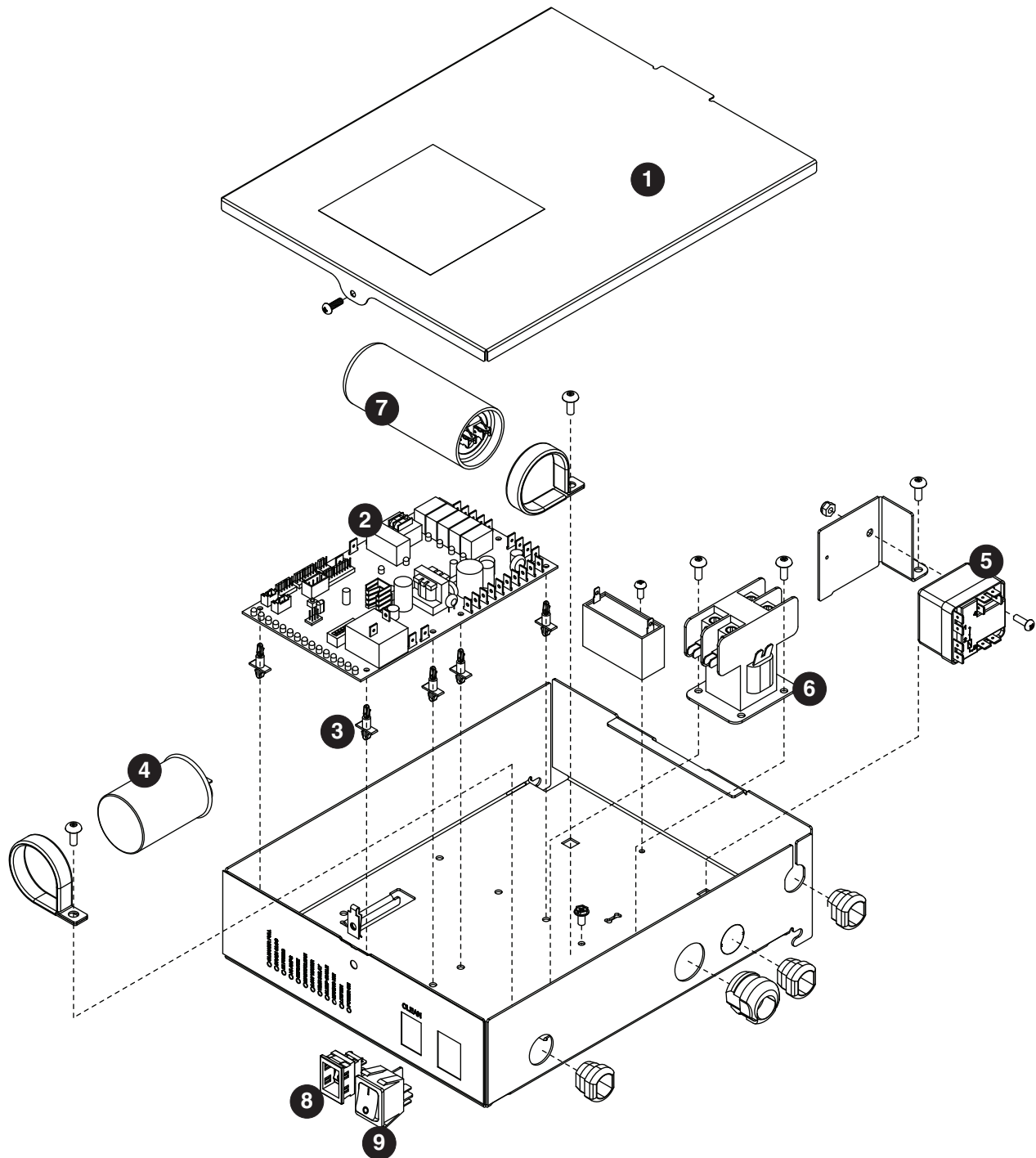
Reference #	Description	Part #
1	Tube, ice transport, molded	01006485
2	Shuttle assembly	01006253
3	Switch, shuttle	001006261
4	Compression nozzle	01048941
5	Chamber, expansion	01103589
6	Insulation (sold per foot)	204360
7	Auger hardware (includes screw, spacer, retainer) - S/N E03141 and after	01041474
7	Auger hardware (includes washer and 2 nuts) - before S/N E03141	01006493
8	Key	00974394
9	Bolt, gearmotor mounting (1)	00974352
10	Gearmotor, 230 V (includes capacitor)	01006238
11	Main housing	01006204
12	O ring	00974329
13	Seal, auger shaft	00969592
14	Cup, sanitizer	00924035
15	Gasket, sanitizer	00124032
16	Cap, sanitizer (includes gasket)	00130880
Not shown	Tubing, water, 3/8" OD	502719
Not shown	Tubing, water, 1/4" OD	502079
17	Retainer kit, evaporator	01006535
18	Solenoid, water feed (230 V)	00116848
19	Reservoir lid and sensors	01006295
20	Clip, water shut-off valve	502922
21	Clamp, cleaning cup	00983544
22	Valve, shut-off, water	502921
23	Auger (includes seal, key, and auger hardware)	01006196
24	Evaporator (includes (2) o-rings)	01006188
25	Rear bushing housing and bushing (includes (1) o-ring)	01006279
26	Reservoir assembly, water (includes lid and insulation)	01006287
27	Solenoid, purge (230 V)	00974287
28	Tube, vent	00991786
29	Tube, sanitizer	00991778
Not shown	Insulation kit, evaporator/gear motor/reservoir	00974600
30	Kit, MicroChewblet	00997585
31	Extended expansion chamber assembly	01103357
32	O-ring, top	01053180
33	O-ring, bottom	00974337
34	Allen screw, 5x32 (each)	0105004



Reference #	Description	Part #
1	Condenser	01006394
2	Fan motor assembly - 230 V, 50/60 Hz	00130930
3	Electrical box support	00153635
4	Cut-out, high pressure safety	00117077
5	Insulation, bulb, TXV	00106534
6	Drier	502724
7	Valve, expansion, thermal (includes insulation and (2) clamps)	01006360
8	Insulation, TXV	502830
9	Compressor - 230 V, 50/60 Hz (includes start/run components and drier)	01006352
10	Base, ice machine	01006303
11	Heat exchanger (includes insulation)	00172353
12	Heat exchanger insulation	00186197
Not shown	Fan blade	00170290
13	Sensors, chassis	01006378

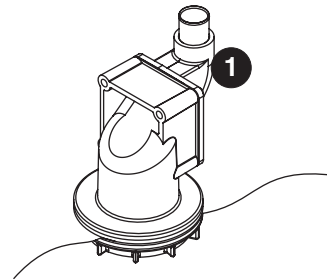
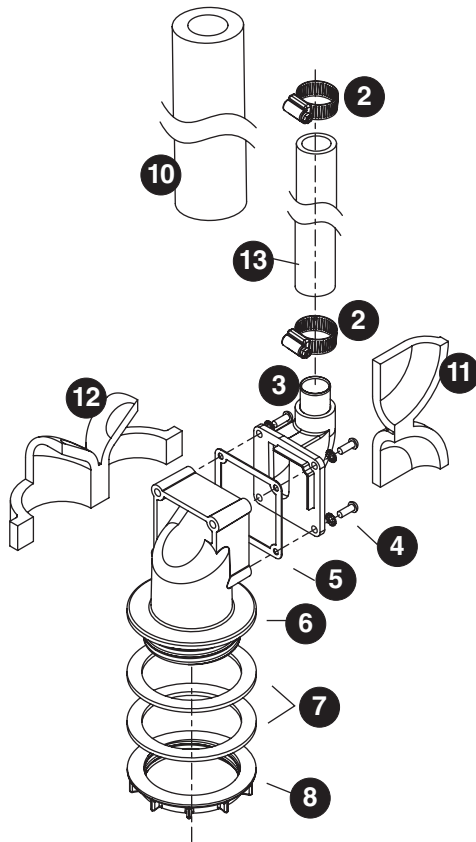


Reference #	Description	Part #
1	Electrical box support	00969925
2	Valve, water regulating	01006329
3	Union, water	202148
4	Cut-out, high pressure safety	00117077
5	Insulation, bulb, TXV	00106534
6	Drier	502724
7	Valve, expansion, thermal (includes insulation and (2) clamps)	01006360
8	Insulation, TXV	502830
9	Condenser, w/c	00117234
10	Valve, shut-off, water	502222
11	Coupling	206411
12	Ty-rap	204584
13	Receiver	00123109
14	Compressor - 230 V, 50/60 Hz (includes start/run components and drier)	01006352
15	Base, ice machine	01006303
16	Heat exchanger (includes insulation)	00172353
17	Heat exchanger insulation	00186197
18	Sensors, chassis	01006378
19	Elbow	00129486

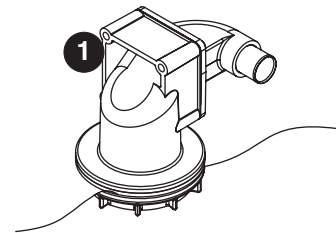
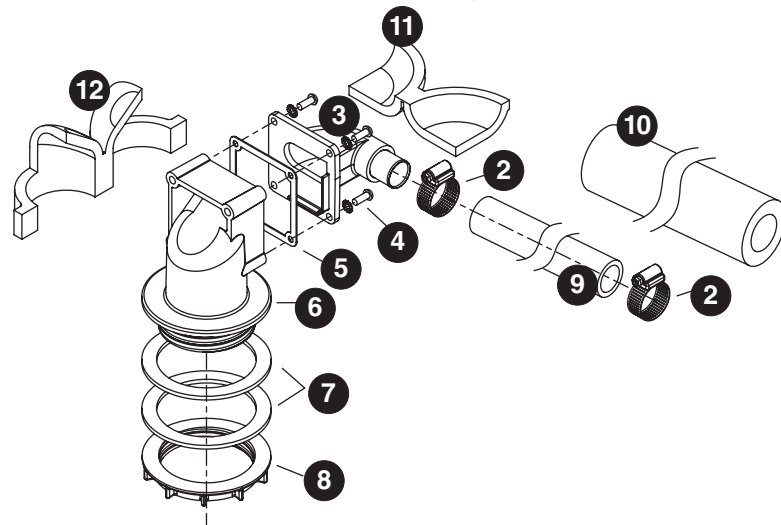


Reference #	Description	Part #
1	Cover, electrical box, air/water-cooled	01006386
2	Board, control, 230 V, 50/60 Hz (includes stand-offs)	01026582
3	Stand-offs (set of 8)	00130906
4	Capacitor, compressor run - 230 V, 50/60 Hz	502837
5	Relay, compressor starting - 230 V, 50/60 Hz	502836
6	Contactora - 230 V, 50/60 Hz	00117010
7	Capacitor, compressor starting - 230 V, 50/60 Hz	502835
8	Switch, evaporator clean	00117036
9	Switch, ice machine power	208867

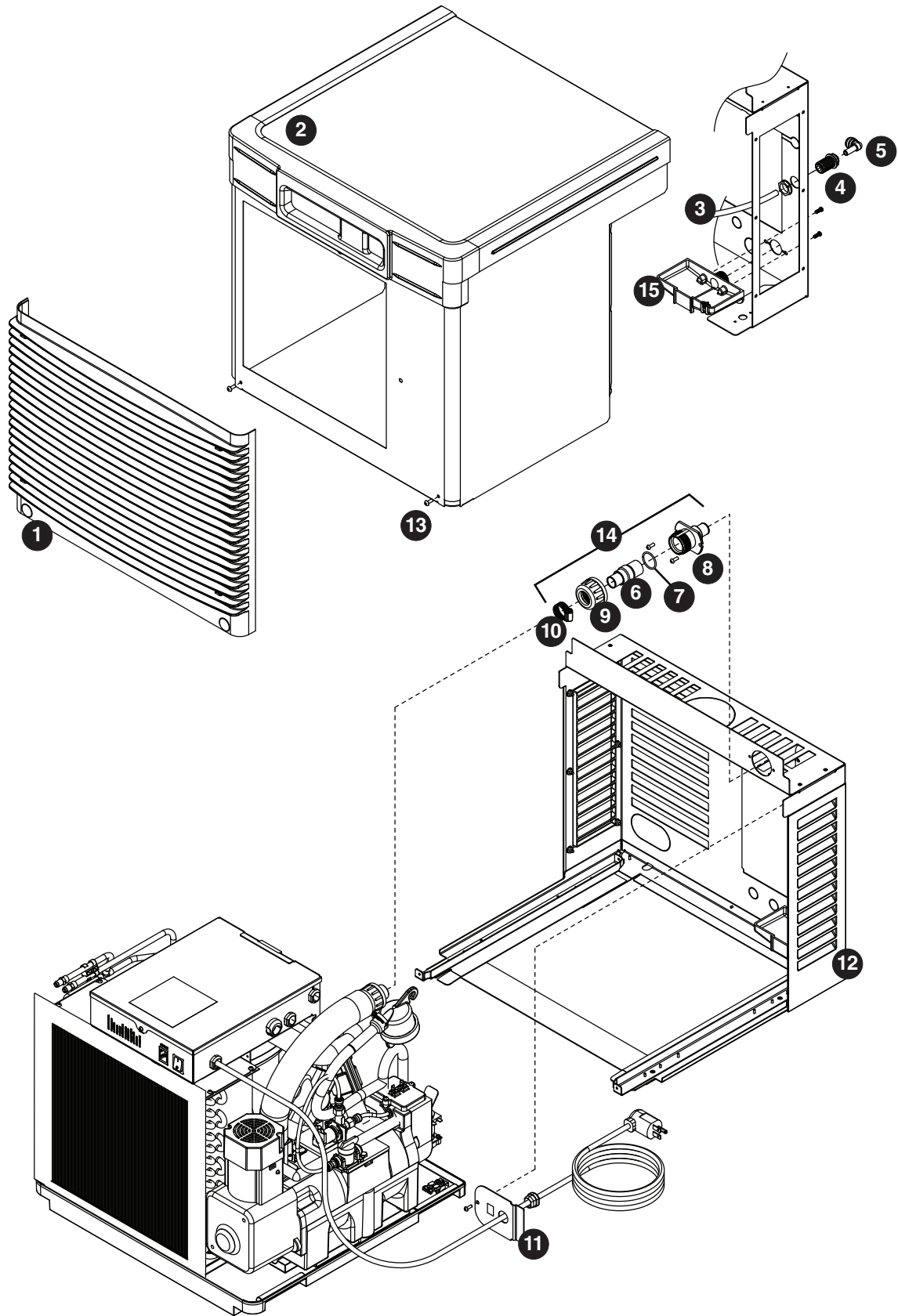
Top mount configuration



RIDE model configuration



Reference #	Description	Part #
1	Shuttle actuator	00171322
2	Clamp	500377
3	Actuator elbow (includes gasket and screws)	00171264
4	Screws	209100
5	Gasket	00167122
6	Actuator body	00171272
7	Gasket, coupling	00126532
8	Ring, locking (includes coupling gasket)	00171371
9	Ice transport tube, 10' (3m)	00171280
9	Ice transport tube, 20' (6m)	00171298
10	Insulation, transport tube	501176
Not shown	Insulated polywire ice transport tube, per foot	00174896
11	Insulation, elbow	00168922
12	Insulation, actuator	00168930
13	Ice transport tube, top mount, 30" (762mm)	00171306
Not shown	Integration kit, top mount	00171389
Not shown	Integration kit, RIDE model (includes 10' (3m) of tube and insulation)	00171397
Not shown	Extension-fill tube, 9"	00135723
Not shown	Extension-fill tube, 4"	00153684
Not shown	Diverter plate (single agitator Cornelius dispensers and left-hand dispense chute on dual-agitator Cornelius dispensers)	307277
Not shown	Diverter plate (right-hand dispense chute on dual-agitator dispensers)	00996207
Not shown	Follett SafeCLEAN ice machine cleaner (case of 24 x 7oz packets)	00132001
Not shown	Sani-Sponge kit	00132068
Not shown	Integration kit, Vision	00997171
Not shown	High-capacity filter system	00978957
Not shown	Primary filter (1)	00978965
Not shown	Primary filter (6)	00978973
Not shown	Pre-filter (1)	00130211
Not shown	Pre-filter (12)	00954305
Not shown	IMSII sanitizer concentrate - 16 oz.	00979674



Reference #	Description	Part #
1	Grille, front	01006154
2	Front cover, air- & water-cooled	01006162
3	Tubing, water, 3/8" OD	502719
4	Fitting, water inlet	502924
5	Elbow, water inlet	502925
6	Coupling (includes O-ring)	00171207
7	O-ring	00144675
8	Bulkhead fitting	00171215
9	Nut	00145342
10	Hose clamp	500377
11	Plate, strain relief	00192070
12	Louvered docking assembly (includes water tubing, water inlet fitting, water inlet elbow, strain relief plate, bulkhead connector kit, and drain pan)	01006170
13	Screw	203460
14	Bulkhead connector kit	00171223
Not shown	Gasket, front cover (inside), per foot (4 feet required)	00939058
Not shown	Louver, intake/exhaust (13.75" x 17.75"), per foot (6 feet required)	00978304
Not shown	Gasket, air intake (front cover, outside)	00131532
15	Pan, drain	01006543

Rejestracja gwarancji i ocena sprzętu

Dziękujemy za zakup urządzenia firmy Follett. Mamy nadzieję, że nasze urządzenia spełniają i przekraczają Państwa oczekiwania, gdyż naszym celem jest dostarczenie klientom wysoce wartościowych produktów i usług, zasługujących na ich pełne uznanie.

Prosimy zapoznać się z załączoną instrukcją instalacji i obsługi. Istotne jest przeprowadzenie instalacji zgodnie z wymogami producenta, co zapewni działanie urządzenia z maksymalną wydajnością.

Follett LLC nie będzie ponosić odpowiedzialności za szkody wtórne, wydatki, koszty podłączania lub odłączania lub jakiegokolwiek straty wynikające z wady urządzenia.

Aby uzyskać szczegółowe informacje na temat warunków gwarancji, prosimy odwiedzić naszą stronę internetową www.follettice.com/productwarranties.

Rejestracja gwarancji i ocena urządzenia to istotne czynności, ułatwiające nam utrzymanie aktualnych danych o miejscach instalacji naszych urządzeń i o ich działaniu. Prosimy o zarejestrowanie gwarancji na nabyte urządzenie firmy Follett na naszej witrynie www.follettice.com/support, gdzie należy wybrać Warranty Registration (Rejestracja gwarancji) i Equipment Evaluation (Ocena urządzenia). Jest to łatwe i nieskomplikowane, prosimy o znalezienie na to paru minut jeszcze dzisiaj. Na formularzu jest również miejsce na przekazanie nam komentarzy i informacji zwrotnych. Proszę podzielić się z nami swoimi wrażeniami, abyśmy mogli wykorzystać je w naszych ciągłych dążeniach do usprawnień.

Jesteśmy dumni z naszych znakomych urządzeń i staramy się usilnie wspierać je znakomitą obsługą klienta i wsparciem technicznym. Chcielibyśmy wiedzieć, w jaki jeszcze sposób mogliśmy Państwu pomóc. Z przyjemnością odpowiemy na Państwa pytania.

Registro de Garantía y Evaluación del Equipo

Gracias por haber elegido este producto Follett®. Esperamos que nuestro equipo cumpla o supere sus expectativas porque es nuestro objetivo ofrecer productos y servicios de gran valor que se ganen su plena confianza.

Le rogamos consulte el manual de instalación y de instrucciones adjunto, ya que es muy importante que la instalación se realice según las especificaciones de fábrica para que el equipo funcione a su máxima eficiencia.

Follett LLC no se hace responsable de los daños indirectos, costos, gastos por conexión y desconexión o pérdidas por causa de defecto de la máquina.

Si desea una información más completa sobre la garantía, visite nuestro sitio web www.follettice.com/productwarranties.

Las operaciones de registro de la garantía y evaluación del equipo son importantes para que podamos realizar un seguimiento de nuestro equipo y registrar el rendimiento de la maquinaria. Por favor, registre las garantías del equipo Follett en nuestro sitio web www.follettice.com/support y seleccione Registro de la Garantía y Evaluación del Equipo. Es muy sencillo, solo le llevará un momento realizar hoy mismo el registro. En el formulario incluimos un espacio en blanco para sus comentarios y opiniones. Infórmenos sobre su experiencia para que podamos incorporarla a nuestros continuos esfuerzos de mejora.

Nos enorgullecemos de producir un equipo excepcional y trabajamos duro para respaldarlo con un soporte técnico y un servicio de atención al cliente de primera. Le rogamos nos indique qué más podemos hacer para ayudarlo. Estaremos encantados de responder a sus dudas.

Enregistrement de la garantie et évaluation de l'équipement

Merci d'avoir acheté un équipement Follett®. Notre objectif étant d'offrir des produits et des services de grande valeur vous satisfaisant pleinement, nous espérons que celui-ci satisfera, voire dépassera, vos attentes !

Veillez consulter le manuel d'installation et d'exploitation. Il est important que l'installation soit réalisée conformément aux spécifications de l'usine, de sorte que votre équipement fonctionne à son rendement maximum.

Follett LLC n'est pas responsable de tout dommage consécutif, de toute dépense, de tout frais de raccordement ou de déconnexion, ni de toute perte liée à un défaut de la machine.

Pour lire la garantie dans son ensemble, visitez notre site Internet www.follettice.com/productwarranties.

L'enregistrement de la garantie et l'évaluation de l'équipement sont importants pour nous aider à suivre notre équipement et pour enregistrer les performances de la machine. Nous vous demandons donc d'enregistrer la garantie de votre équipement Follett sur notre site Internet, www.follettice.com/support, dans la section Warranty Registration and Equipment Evaluation. Cette opération est simple ; veuillez prendre un moment pour la réaliser aujourd'hui.

Le formulaire contient également un espace pour nous faire parvenir vos commentaires et un retour d'informations. Veuillez nous faire part de votre expérience pour que nous puissions prendre appui dessus pour poursuivre nos efforts constants d'amélioration.

Nous sommes fiers de produire des équipements exceptionnels et nous travaillons avec acharnement pour y associer une assistance à la clientèle et technique exceptionnelle. N'hésitez pas à nous indiquer dans quelle mesure nous pouvons vous aider. Nous serions ravis de répondre à vos questions.

Garantieregistrierung und Produktbeurteilung

Vielen Dank, dass Sie sich für ein Follett®-Produkt entschieden haben. Wir hoffen, dass unser Produkt Ihre Erwartungen erfüllen oder sogar übertreffen wird, weil wir uns zum Ziel gesetzt haben, hochwertige Produkte und Leistungen anzubieten, die Ihre uneingeschränkte Anerkennung verdienen werden!

Lesen Sie sich bitte die beiliegende Installations- und Betriebsanleitung durch. Es ist wichtig, dass die Installation entsprechend den Werksangaben erfolgt, damit Ihr Produkt mit maximalem Wirkungsgrad arbeiten kann.

Follett LLC ist nicht für Folgeschäden, Ausgaben, Gebühren für Anschluss oder Abschaltung oder Verluste aufgrund eines Defekts der Maschine haftbar.

Vollständige Garantieinformationen finden Sie auf unserer Website unter www.follettice.com/productwarranties.

Garantieregistrierung und Produktbeurteilung sind wichtig, damit wir einen Überblick über unsere Produkte behalten und ihre Effizienz bewerten können. Wir möchten Sie bitten, Garantien für Follett-Produkte auf unserer Website www.follettice.com/support zu registrieren und den Punkt „Garantieregistrierung und Produktbeurteilung“ zu wählen. Es ist ganz einfach. Nehmen Sie sich bitte einen Moment Zeit, um die Registrierung heute vorzunehmen. Auf dem Formular ist auch Platz für Kommentare und Feedback vorhanden. Teilen Sie uns bitte Ihre Erfahrungen mit unseren Produkten mit, damit wir sie für unsere fortlaufenden Produktverbesserungen verwenden können.

Wir sind stolz darauf, dass wir besondere Produkte herstellen, und wir bemühen uns, unsere Produkte mit besonderem Kundendienst zu unterstützen. Lassen Sie uns bitte wissen, was wir noch für Sie tun können. Wir werden Ihre Fragen gerne beantworten.

Registrazione della garanzia e valutazione dell'attrezzatura

Grazie per aver acquistato un dispositivo Follett®. Ci auguriamo che il nostro prodotto soddisfi o superi le Sue aspettative, in quanto il nostro obiettivo è quello di offrire prodotti e servizi di alta qualità che soddisfino pienamente le vostre esigenze!

La preghiamo di leggere attentamente il manuale per l'installazione e per l'uso allegato. È infatti importante che l'installazione sia effettuata secondo le specifiche di fabbrica in modo tale che il dispositivo operi con la massima efficienza.

La Follett LLC non si assume alcuna responsabilità per danni conseguenti, spese, costi di collegamento o scollegamento o eventuali perdite dovute ad un difetto della macchina.

Per visualizzare i dettagli completi relativi alla garanzia, recarsi alla pagina www.follettice.com/productwarranties.

La registrazione della garanzia e la valutazione dell'attrezzatura sono importanti per aiutarci a tenere traccia dei nostri dispositivi e a registrare le prestazioni della macchina. Le chiediamo dunque di registrare le garanzie relative al dispositivo Follett sul nostro sito Web alla pagina www.follettice.com/support scegliendo Registrazione della garanzia e Valutazione dell'attrezzatura. Farlo è semplice; dedichi pochi minuti a registrare il prodotto oggi stesso. Sul modulo è inoltre previsto uno spazio in cui potrà fornirci i Suoi commenti e il Suo riscontro. Ci faccia sapere della Sua esperienza in modo che possiamo farne tesoro per il nostro continuo miglioramento.

Siamo orgogliosi di produrre macchinari di ottima qualità e lavoriamo sodo per offrire un servizio di assistenza clienti e tecnico di qualità altrettanto elevata. Ci faccia sapere come possiamo esserle di aiuto. Saremo lieti di rispondere a tutte le Sue domande.

Registo da garantia e avaliação do equipamento

Obrigado por ter adquirido equipamento Follett®. Fazemos votos de que o nosso equipamento cumpra ou exceda as suas expectativas, dado que temos por objetivo fornecer produtos e serviços de elevado valor que mereçam a sua total satisfação!

Pedimos-lhe que leia o manual de instalação e operações em anexo. É importante que a instalação seja levada a cabo de acordo com as especificações da fábrica, para que o seu equipamento funcione com a eficiência máxima.

A Follett LLC não assume a responsabilidade por quaisquer prejuízos indiretos, despesas, custos de ligação ou desligação ou quaisquer outras perdas decorrentes de um defeito na máquina.

Para consultar os dados da garantia, visite o nosso website www.follettice.com/productwarranties.

O registo da garantia e a avaliação do equipamento são importantes para nos ajudar a estar a par do nosso equipamento e registar o desempenho da máquina. Pedimos-lhe que registe as garantias de equipamento Follett no nosso website www.follettice.com/support, em “Warranty Registration and Equipment Evaluation”. É muito simples; tire uns minutos para fazer o registo hoje mesmo. O formulário inclui também espaço para os seus comentários e feedback. Conte-nos a sua experiência para que possamos usá-la nos nossos esforços contínuos de melhoria.

Temos muito orgulho em produzir equipamento excepcional e empenhamo-nos em proporcionar um apoio técnico e um apoio ao cliente igualmente excecionais. Diga-nos o que mais podemos fazer para o ajudar. Teremos todo o prazer em responder às suas perguntas.

Registrering af garanti og evaluering af udstyr

Tak for dit køb af Follett ®-udstyr. Forhåbentlig synes du, at vores udstyr lever op til eller overstiger dine forventninger, for vores målsætning er at levere produkter og serviceydelser af høj kvalitet, som du er fuldstændig tilfreds med!

Gennemlæs venligst den vedlagte installations- og driftsmanual. Det er vigtigt at installationen udføres i henhold til fabrikkens specifikationer, så dit udstyr kan fungere med maksimal effektivitet.

Follett LLC hæfter ikke for følgeskader, udgifter, tilslutnings- eller frakoblingsomkostninger eller nogen form for tab, der skyldes en maskindefekt.

Du kan læse de fulde oplysninger om garantien på vores website www.follettice.com/productwarranties.

Registrering af garantien og evaluering af udstyret er vigtigt for at hjælpe os med at følge op på vores udstyr og registrere maskinens ydelse. Vi beder dig registrere garantier på Follett-udstyr på vores website www.follettice.com/support og vælge Warranty Registration and Equipment Evaluation (Registrering af garanti og evaluering af udstyr). Det er nemt at gøre, så vi beder dig bruge et øjeblik på at registrere dig i dag. Formularen har også plads til, at du kan give os kommentarer og feedback. Fortæl os om dine erfaringer, så vi kan bruge dem i vores fortsatte bestræbelser på at forbedre os.

Vi sætter en ære i at fremstille udstyr i særklasse og arbejder hårdt på at kunne bakke udstyret op med fremragende kundeservice og teknisk support. Fortæl os, hvad vi ellers kan gøre for at hjælpe dig. Vi svarer gerne på dine spørgsmål.

Registratie van garanties en beoordeling van apparatuur

Gefeliciteerd met uw aankoop van Follett®-apparatuur. We hopen dat onze apparatuur uw verwachtingen invult of zelfs overstijgt, omdat we ernaar streven om hoogwaardige producten en diensten te leveren die u uitermate tevreden stellen!

Lees de bijgevoegde installatie- en bedieningshandleiding zorgvuldig door. Het is belangrijk dat de installatie uitgevoerd wordt volgens de fabrieksspecificaties, zodat uw apparatuur zo efficiënt mogelijk werkt.

Follett LLC is niet aansprakelijk voor enige gevolgschade, uitgaven, montage- of demontagekosten of enige door een defect van de machine geleden verliezen.

Bezoek onze website www.follettice.com/productwarranties voor alle garantiegegevens.

De registratie van garanties en de beoordeling van apparatuur is belangrijk voor ons om onze apparatuur te helpen traceren en de prestaties van de machine te registreren. We verzoeken u dan ook om garanties van Follett-uitrusting te registreren op onze website www.follettice.com/support en om "Warranty Registration" (Registratie van garanties) en "Equipment Evaluation" (Beoordeling van apparatuur) te kiezen. Gelieve hier even tijd voor vrij te maken. Het is namelijk zeer eenvoudig. Er is op het formulier ook plaats om opmerkingen en feedback te geven. Breng ons gerust op de hoogte over uw ervaring met onze apparatuur, zodat we ons kunnen blijven verbeteren.

We zijn trots op onze productie van uitstekende apparatuur en werken hard om dit bij te staan door een voortreffelijke klantendienst en technische ondersteuning. Aarzel echter niet om enige andere bijstand te vragen. We zullen uw vragen met plezier beantwoorden.

Garantiregistrering och utvärdering av utrustning

Tack för att du köpt utrustning från Follett®. Vi hoppas att du ska tycka att den uppfyller eller överträffar dina förväntningar, då vårt mål är att leverera produkter och tjänster av högt värde som gör dig helt nöjd!

Studera medföljande installations- och bruksanvisning. Det är viktigt att installationen genomförs enligt fabriakens anvisningar så att din utrustning arbetar med högsta effektivitet.

Follett LLC ansvarar inte för följdskador, kostnader, avgifter eller förluster som orsakats av fel på maskinen.

Fullständiga garantivillkor finns på vår hemsida www.follettice.com/productwarranties.

Garantiregistrering och utvärdering av utrustning är viktig för oss så att vi kan följa upp vår utrustning och dess funktion. Vi vill att du registrerar Folletts utrustningsgaranti på vår hemsida www.follettice.com/support, där du väljer Garantiregistrering och produktutvärdering. Det är enkelt att göra, så ta dig tid en minut och registrera dig idag. Det finns också utrymme på blanketten för kommentarer och synpunkter. Berätta för oss vad du tycker så att vi kan använda det i våra ansträngningar att alltid bli bättre.

Vi är stolta över att producera överlägsen utrustning och vi arbetar hårt med att stötta den med överlägset kundansvar och tekniskt stöd. Tala om för oss vad vi kan göra mer för att hjälpa dig. Vi svarar gärna på dina frågor.

Warranty Registration and Equipment Evaluation

Thank you for purchasing Follett® equipment. We hope you find that our equipment meets or exceeds your expectations, as our goal is to deliver high value products and services that earn your complete satisfaction!

Please review the enclosed installation and operations manual. It is important that the installation be performed to factory specifications, so your equipment operates to its maximum efficiency.

Follett LLC will not be liable for any consequential damages, expenses, connecting or disconnecting charges or any losses resulting from a defect of the machine.

For full warranty details, visit our website www.follettice.com/productwarranties.

Warranty registration and equipment evaluation is important to help us keep track of our equipment and to record the machine's performance. We request that you register Follett equipment warranties on our website www.follettice.com/support and choose Warranty Registration and Equipment Evaluation. It's simple to do; please take a moment to register today. There is also space on the form to provide us with comments and feedback. Please let us know about your experience so we can capture it for our continuous improvement efforts.

We pride ourselves on producing outstanding equipment and we work hard to back it up with outstanding customer and technical support. Please let us know what else we can do to assist you. We would be happy to answer your questions.

CE DECLARATION OF CONFORMITY

15 November 2012

Manufacturer: FOLLETT CORPORATION
Address: 801 Church Lane
Easton, Pennsylvania 18040
USA

We declare under sole responsibility that the following equipment to which this declaration relates, meets the principal protection requirements and is in conformity with the relevant sections of the applicable CE standards and other normative documents. If changes are made to the product, which is covered by this declaration of conformity, the declaration of conformity is no longer valid.

Equipment type: Horizon Icemaker

Models: HCE700A, HCE700W, HME700A, HME700W
HCE1000A, HCE1000W, HME1000A, HME1000W
HCE1400A, HCE1400W, HME1400A, HME1400W

CE Directives and Amendments: Low Voltage Directive 2006/95/EC
EMC Directive 2004/108/EC

Harmonized Standards applied: EN55014-1:2006, EN55014-2:1997 + A1:2001 + A2:2008,
EN61000-3-2:2006, EN61000-3-3:1995 + A1:2001 + A2:2005
EN60335-2-24:2010,
EN60335-1:2002 + A1:2004 + A11:2004 + A2:2006 + A12:2006 +
A13:2008

Date/Signature of
authorized representative:



Title of signatory: Executive Vice President