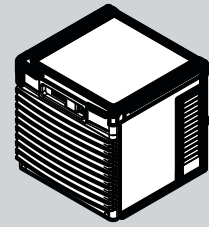


# Horizon™ Ice Machine Models with RIDE® Technology Installation Instructions for Harmony™ or 110CM Symphony™ Plus Applications

H\_C700AHS, H\_C700WHS,  
H\_D700AHS, H\_D700WHS,  
H\_E700AHS, H\_E700WHS

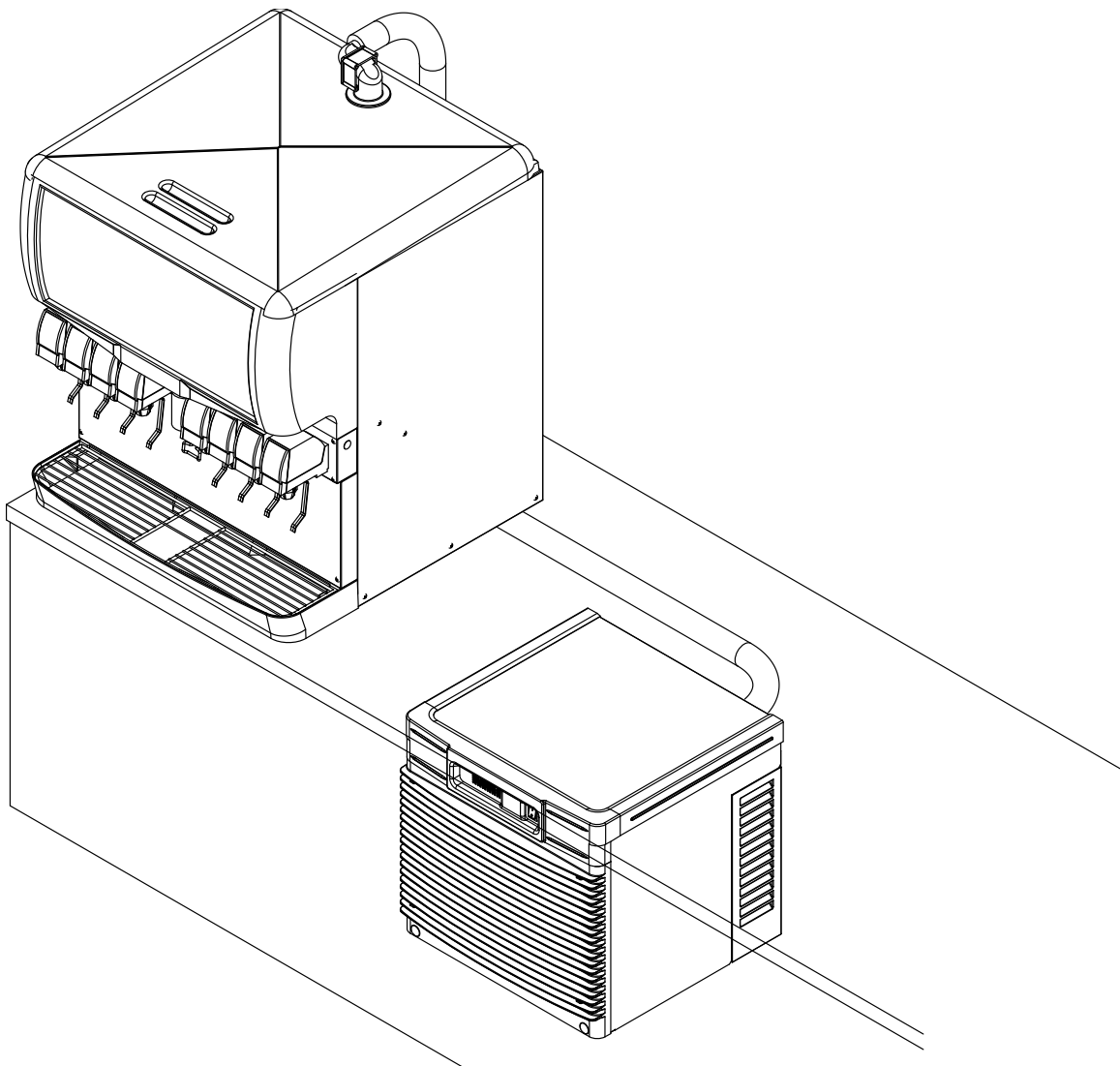
(See model number configurator on page 2 for details.)

Order parts online  
[www.follettice.com](http://www.follettice.com)



self-contained

**For applications using 110CM Symphony Plus  
and most countertop dispensers manufactured by  
Cornelius • Lancer • SerVend**



## Chewblet® Ice Machine Model Number Configurations

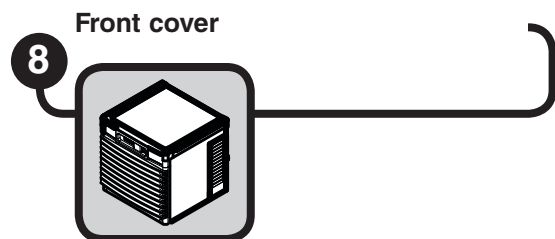
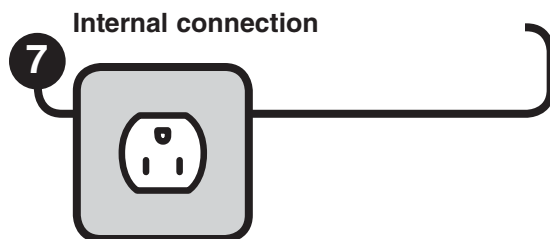
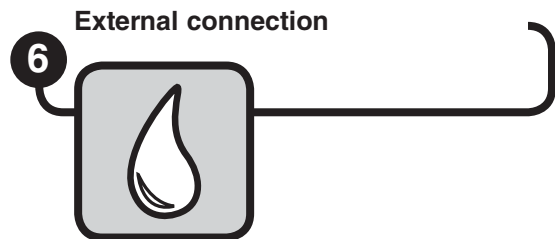
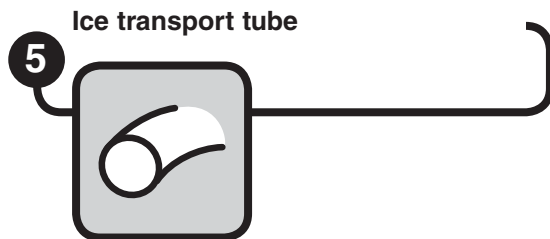
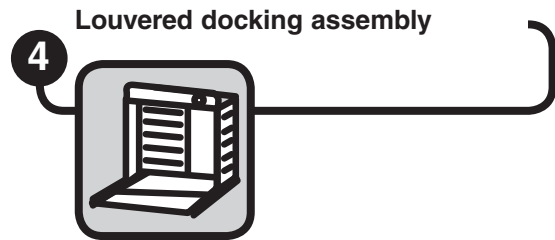
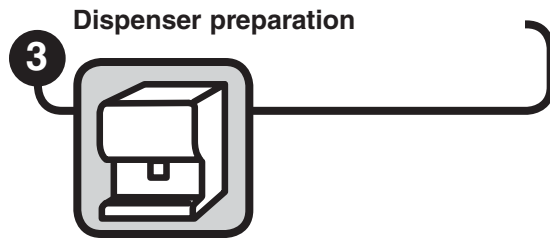
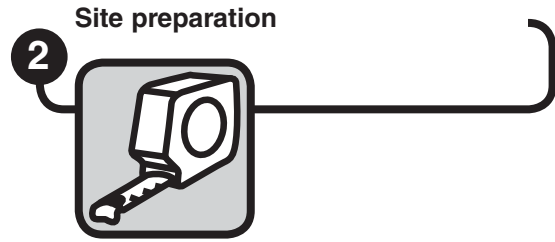
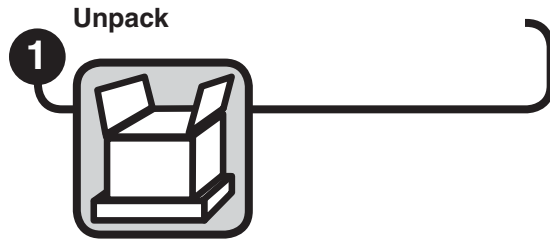
HC
C
700
A
V
S

Machine	Voltage	Series	Condenser	Application	Configuration
MC Maestro™ Chewblet (400 Series)	C 208-230/60/1 (icemaking head) <i>Self-contained only.</i> D 115/60/1 (icemaking head) <i>Self-contained and remote.</i>	400 up to 454 lbs (206kg)	A Air-cooled, self-contained W Water-cooled, self-contained	V Vision™ H Harmony™	S RIDE® (RIDE remote ice delivery equipment)
HC Horizon Chewblet (1000, 1400, 1650 Series)	E 230/50/1 (icemaking head) <i>Self-contained only.</i> F 115/60/1 (icemaking head) <i>Remote only. High side is 208-230/60/3.</i>	700 up to 750 lbs (340kg)	R Air-cooled, remote condensing unit N Air-cooled, no condensing unit for connection to parallel rack system	B Ice storage bin J Drop-in M Ice Manager™ diverter valve system	T Top-mount
HM Horizon Micro Chewblet		1000 up to 1036 lbs (471kg)			
		1400 up to 1450 lbs (658kg)			
		1650 up to			

### CAUTION!

- This appliance should be permanently connected by a qualified person in accordance with application codes.
- If the supply cord is damaged, it must be replaced by the manufacturer, its service agent or similarly qualified persons in order to avoid a hazard.
- Connect to potable water supply only.
- This appliance can be used by children aged 8 years and above and persons with reduced physical, sensory, or mental capabilities, or lack of experience and knowledge if they have been given supervision or instruction concerning use of the appliance in a safe way and understand the hazards involved. Children should be supervised to ensure that they do not play with the appliance.
- This appliance is intended to be used for household and similar applications such as staff kitchen areas in shops, offices and other working environments; farm houses and by clients in hotels, motels and other residential type environments; bed and breakfast type environments; catering and similar non-retail applications.
- **WARNING!** To avoid a hazard due to instability of the appliance, it must be fixed in accordance with the instructions.

# Read and complete the following 8 installation steps



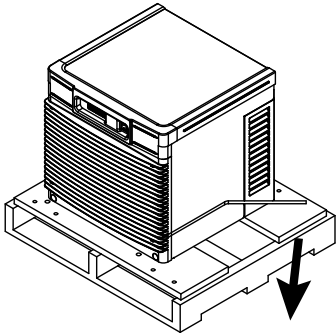
Carefully unpack and inspect the contents of your Follett ice machine.

Unpack

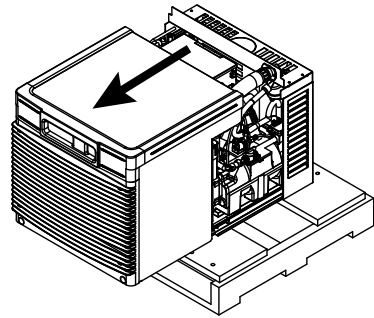
1

1.1 Unpack ice machine

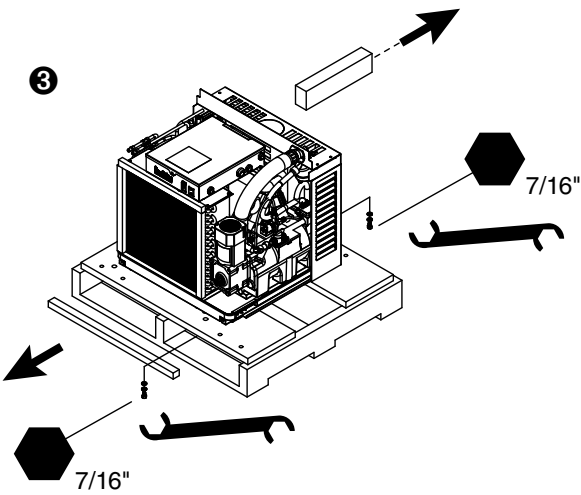
1



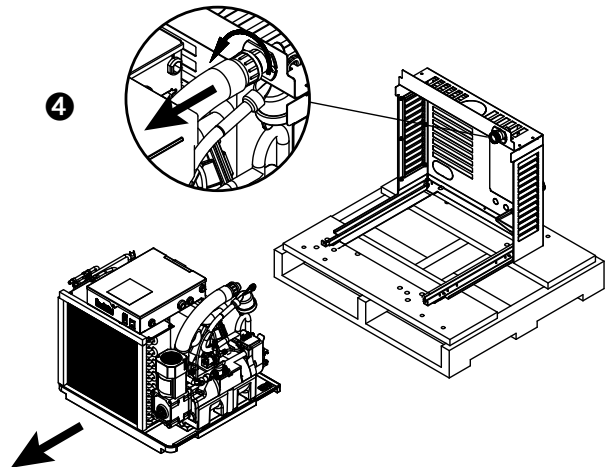
2



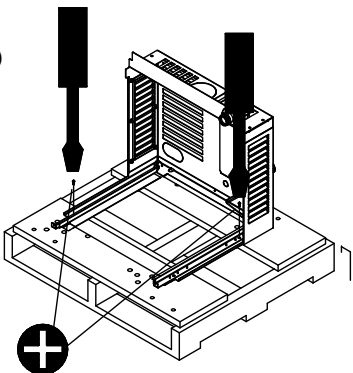
3



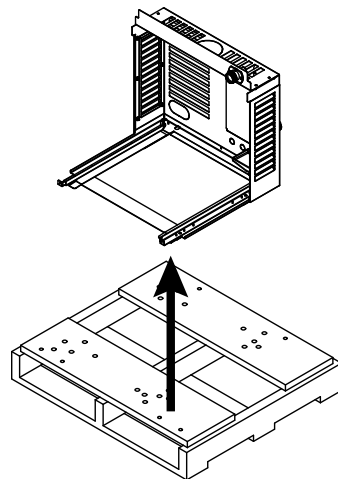
4



5

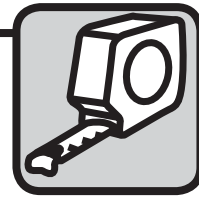


6

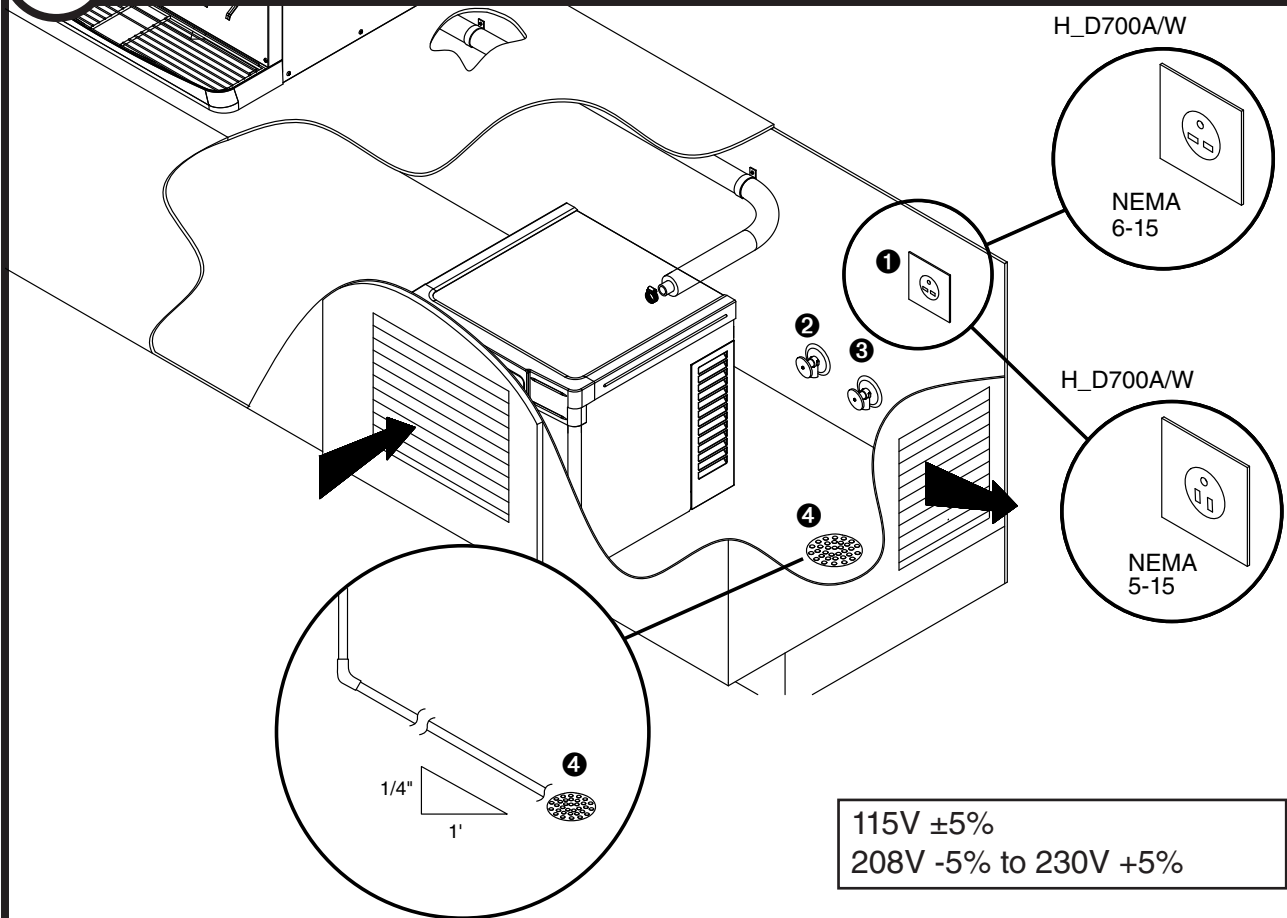


Prepare the installation site.

Provide drainage, potable water supply and electrical power to within 6 feet (2m) of ice machine in accordance with local and national codes. Outdoor installation is not recommended and will void warranty.



2.1 Installation site requirements



Electrical ①

- H\_C700(A/W)HS 208-230/60/1-15 amp breaker  
(H\_C700A/W Requires a 15 amp dedicated circuit)
- H\_E700(A/W)HS 230/50/1-15 amp<sup>‡</sup> breaker  
(H\_E700A/W Requires 15 amp circuit 1.50 mm<sup>2</sup> wire)

- H\_D700(A/W)HS 115/60/1-15 amp breaker  
(H\_D700A/W Requires a 15 amp dedicated circuit)

<sup>‡</sup> Plug must be provided by end user & must conform to standard EN 60 335-2-24 of the end destination.

Potable water supply ②

- 10-70 psi (69-483kpa)
- 45 to 90 F (7 to 32 C)
- Water supply must be treated by a scale-inhibiting filter (item# 00130286)

Condenser water supply for water-cooled systems ③

- 10 psi min.; 150 psi max. (69kpa min.; 1034kpa max.)
- 20 to 90 F (-7 to 32 C)
- 1.5 gallons per minute (5.68 liters per minute)

Drain ④

- The drain line from the ice machine must be vented and have at least 1/4" per foot (6,4mm/0,3m) pitch

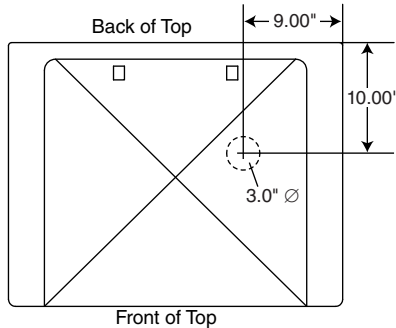
Prepare the dispenser.



**Attention!** The location of the hole in the dispenser top is dependent on the type of dispenser. Be sure to follow Step 3.1 for the appropriate dispenser.

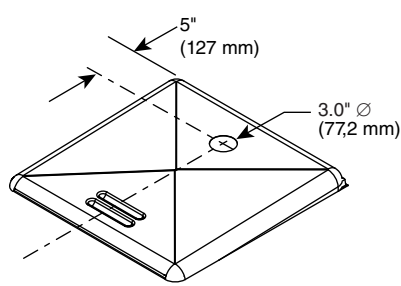
**3.1** Hole location - Harmony (Lancer, Cornelius or Servend), or 110CM Symphony Plus

**Lancer Sensation and Touchpoint**



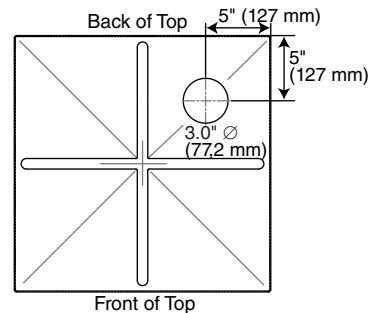
Locate hole position 9" (254 mm) from back and 9" (229 mm) from right of dispenser top

**Standard (Cornelius, Lancer, or Servend)**



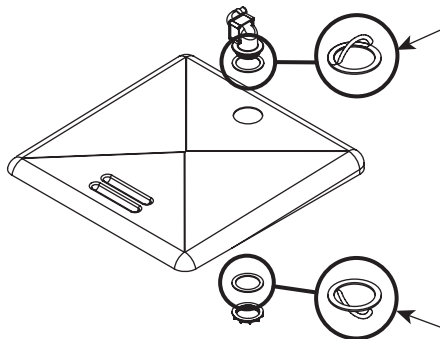
Locate hole position 5" (127 mm) from back of dispenser top

**110CM Symphony Plus**



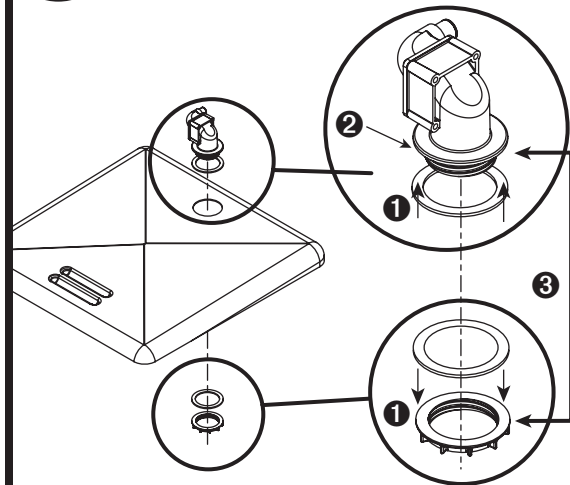
Locate hole position 5" (127 mm) from back and right of dispenser top

**3.2** Top preparation



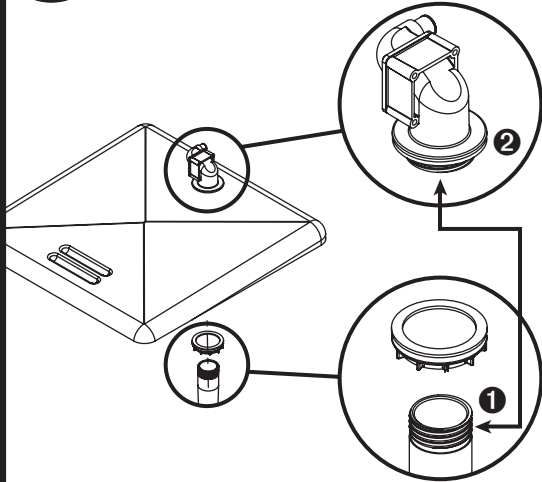
- Remove protective tape from gaskets

**3.3** Top preparation



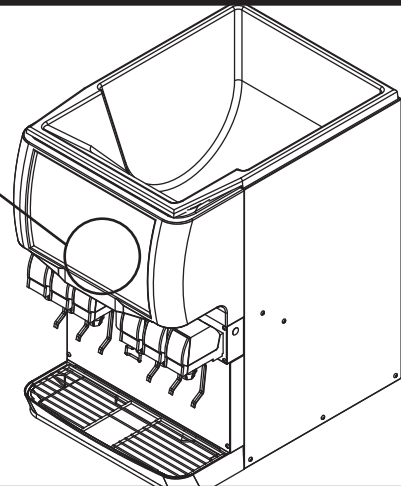
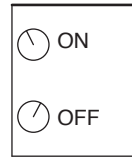
- Apply gaskets ①
- Install shuttle actuator ② through dispenser top and secure with locking nut ③

### 3.4 Top preparation



- Screw 4" (102 mm) extension **1** into bottom of shuttle actuator **2**

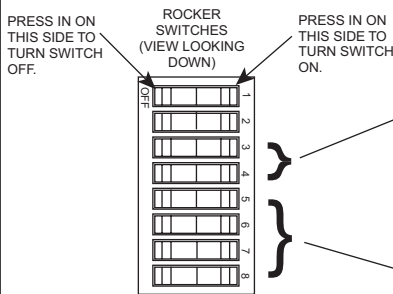
### 3.5 Agitation adjust. – CORNELIUS



#### Cornelius models ED, DB, DF, IDC and FLAVOR FUSION

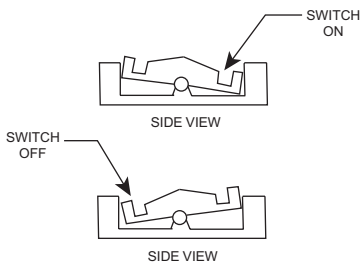
Adjust the agitation timer located on the Cornelius PC board to 1 second on, 1 hour off. **Note:** See Cornelius manual for more information.

### 3.6 Agitation adjustments – LANCER 4500 SERIES



SWITCH NUMBER	AGITATION TIME			
	1 SECOND	2 SECONDS	3 SECONDS	4 SECONDS
3	O	O	X	X
4	O	X	O	X

X = ON  
O = OFF

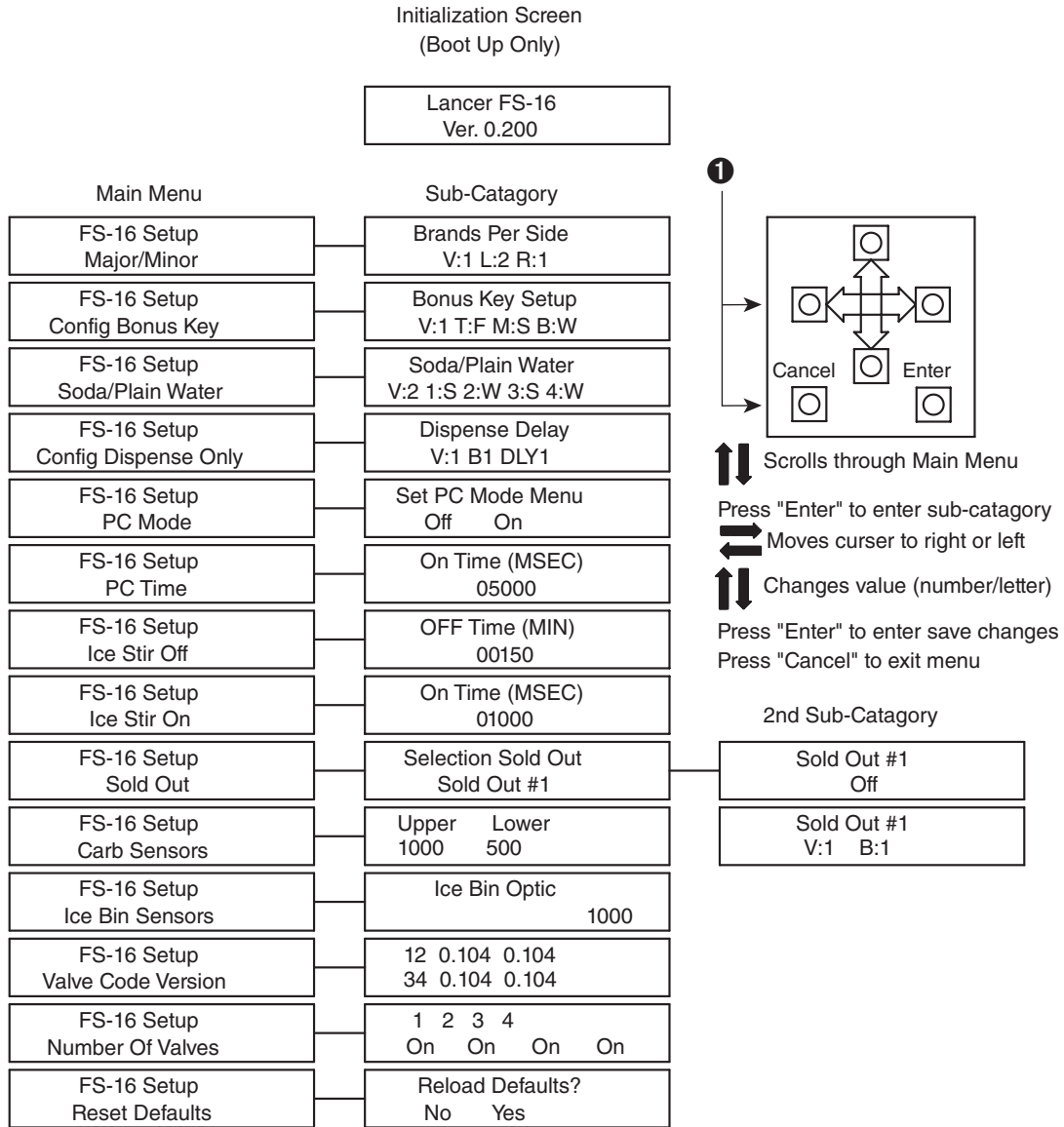


SWITCH NUMBER	AGITATION FREQUENCY															
	NO AGITATION	10 MINUTES	20 MINUTES	30 MINUTES	40 MINUTES	50 MINUTES	60 MINUTES	70 MINUTES	80 MINUTES	90 MINUTES	100 MINUTES	110 MINUTES	120 MINUTES	130 MINUTES	140 MINUTES	150 MINUTES
5	O	O	O	O	O	O	O	O	X	X	X	X	X	X	X	X
6	O	O	O	X	X	X	X	X	O	O	O	X	X	X	X	X
7	O	O	X	X	O	X	X	O	X	X	X	O	X	O	X	X
8	O	X	O	X	O	X	O	X	O	X	O	X	O	X	O	X

#### Lancer 4500 series only

Adjust the agitation time to 1 second, and the agitation frequency to 150 minutes. See Lancer manual for more information.

### 3.7 Agitation adjustments – LANCER FS SERIES



#### Lancer FS series only

- Hold down "cancel" and "left button" to get to hidden menu **1**
- Type in code 6655
- Type in 150 minutes "off time" and 1000 milliseconds (1 second of time) as the preferred setting

**Note:** See Lancer manual for more information

### 3.8 Agitation adjustments – SERVEND

#### SerVend models only

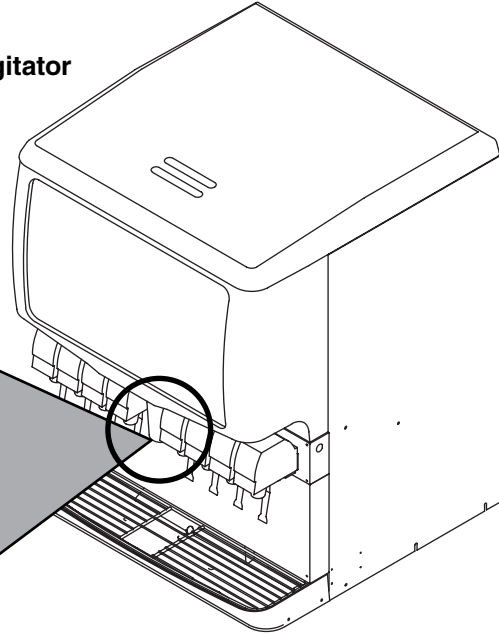
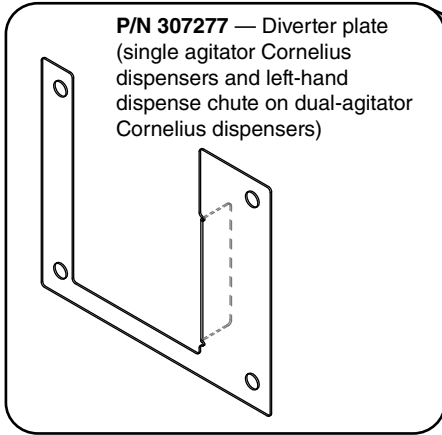
No agitation adjustment required



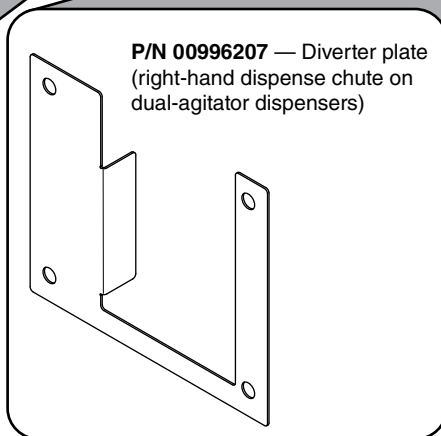
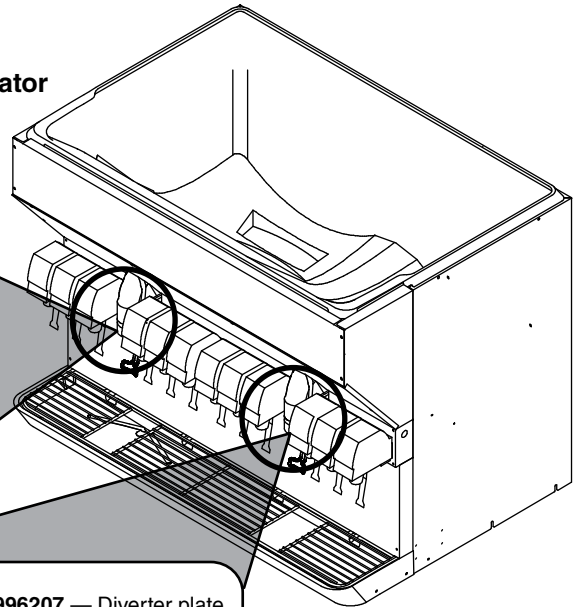
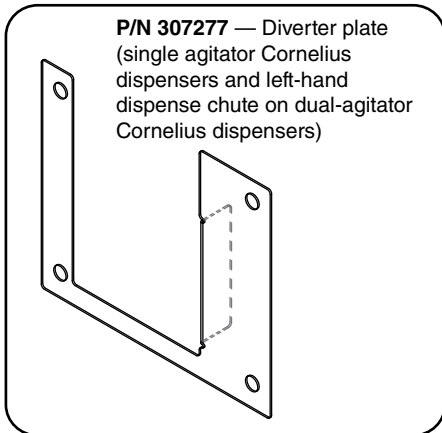
3.9

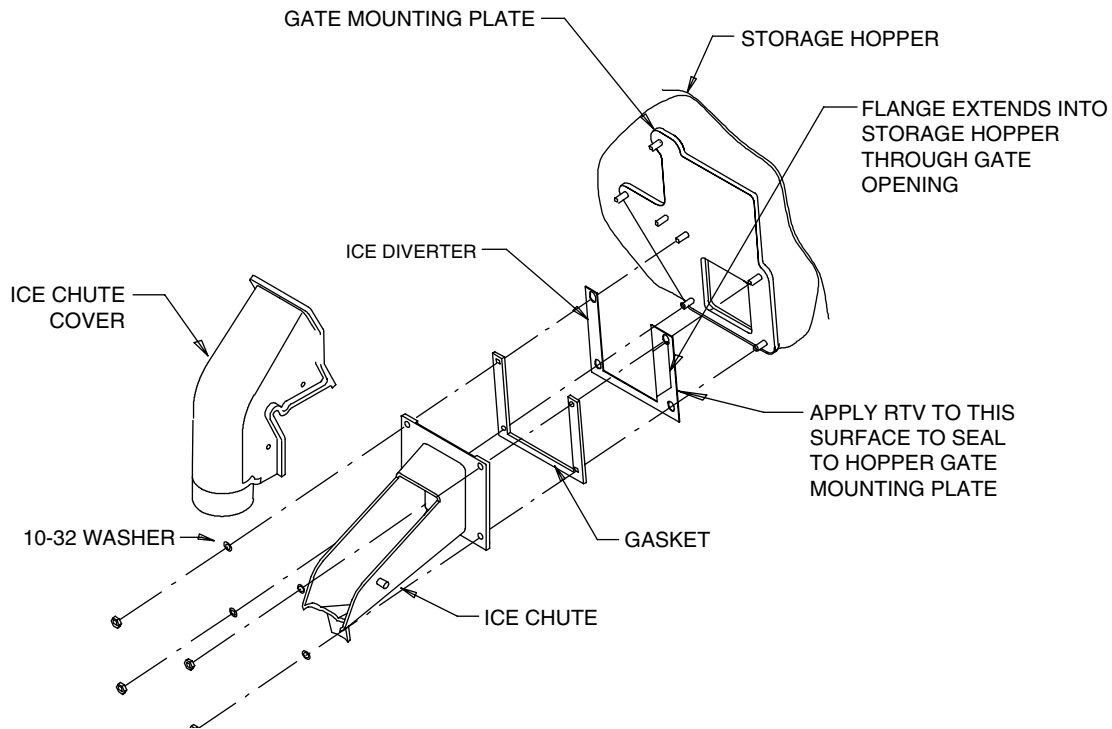
Dispenser diverter plate overview (Installation on next page)

Single Agitator



Dual Agitator



**3.10****Dispenser diverter plate installation – CORNELIUS ED, DF and DB SERIES****Cornelius ED, DF and DB series only**

These dispensers require the installation of an ice diverter at the dispenser opening.

- Disassemble chute assembly
- Discard factory restrictor plate
- Replace with alternate diverter plate (supplied)

**Cornelius IDC and Flavor Fusion**

These dispensers require modifications for compatibility with Chewblet ice. Agitation times must be set to 1 second ON, 1 hour OFF and the ice restrictor plate must be adjusted to the fully open position. See your beverage supplier for these modifications.

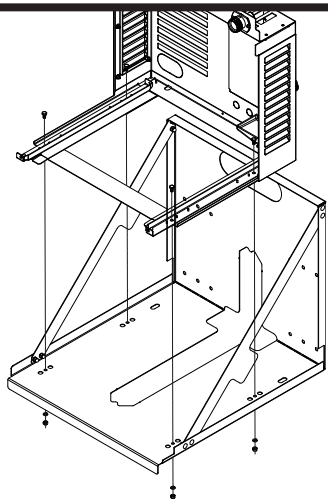
Install the louvered docking assembly.

## WARNING

- Docking station must be secured in accordance with these instructions to ensure ice machine stability.
- Ventilation openings in the louvered docking station should be clear of obstruction. Failure to do so could result in damage to equipment.

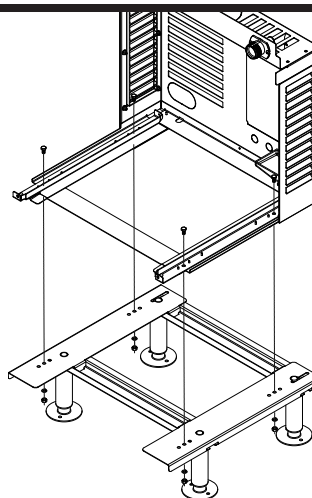


### Wall bracket accessory



- Mount louvered docking assembly to wall bracket accessory

### Machine stand accessory



- Mount louvered docking assembly to machine stand accessory

## 4.1 Undercounter installation requirements Horizon 700 series

### DOCKING STATION: Horizon 700 water- and air-cooled models

(See detail drawing on page 12)

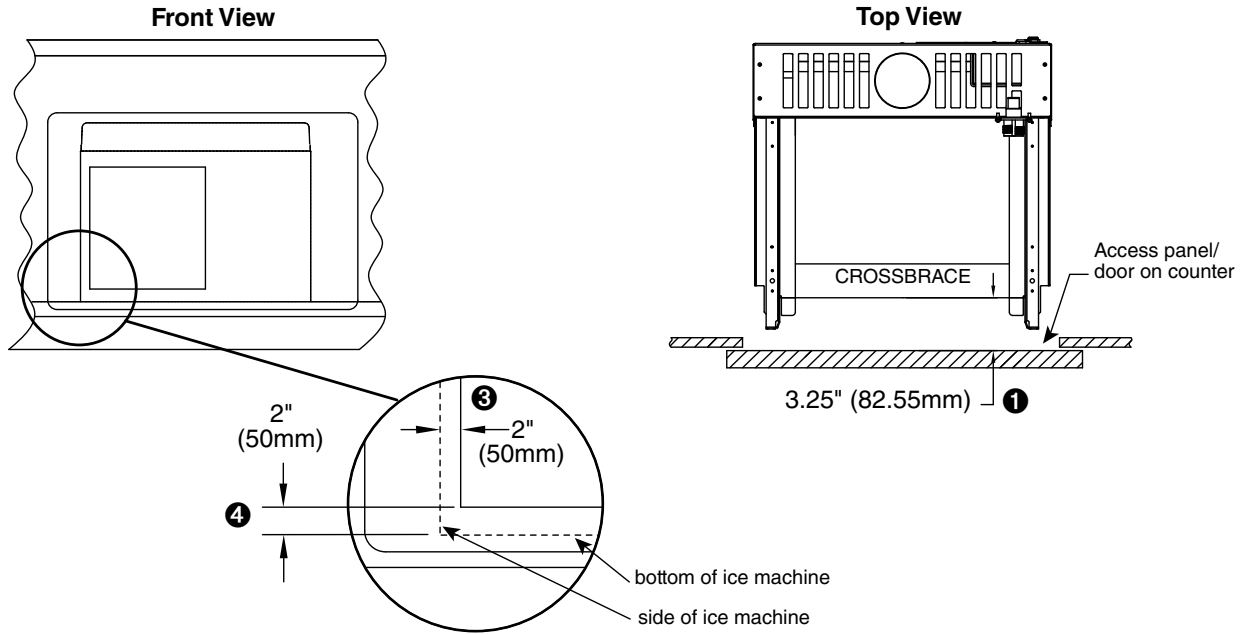
- Position and screw louvered docking assembly to the bottom of counter inside of access panel/door 3.25" (82.55mm) from the front edge of the cross brace ❶
- The mounting surface for the louvered docking assembly must be solid. Do not mount directly onto runners or channels.
- There must be no lip or edge that would hinder the ice machine from sliding in or out of the louvered docking station ❷

### INTAKE AND EXHAUST GRILLE PLACEMENT: Horizon 700 air-cooled models only

(See detail drawing on page 12)

- Position the intake grille cut out in the access panel/door
  - Note:** Ice machine must be aligned with cut out and inside of access panel to provide a tight seal and prevent recirculation of hot exhaust air.
- Left edge of cutout should be 2" (51mm) from the left side of the ice machine ❸
- Bottom edge of cutout should be 2" (51mm) from the bottom of the ice machine ❹
- Position supplied exhaust grille at least 18" (458mm) away from intake grille ❺. Where possible, install exhaust grille to the rear or side of the base cabinet.
- If not using supplied grille, air circulation requirements below must be met:  
700 series: 160 sq. in (1032 sq cm) intake/exhaust air

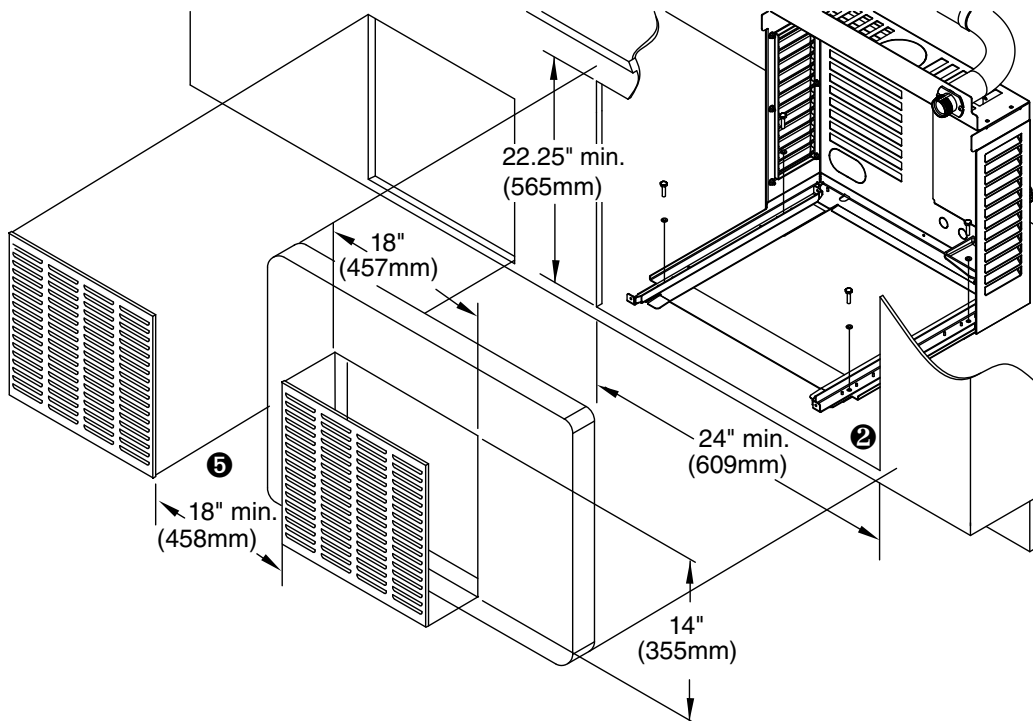
## Undercounter installation detail – Horizon 700 series



### ⚠ CAUTION

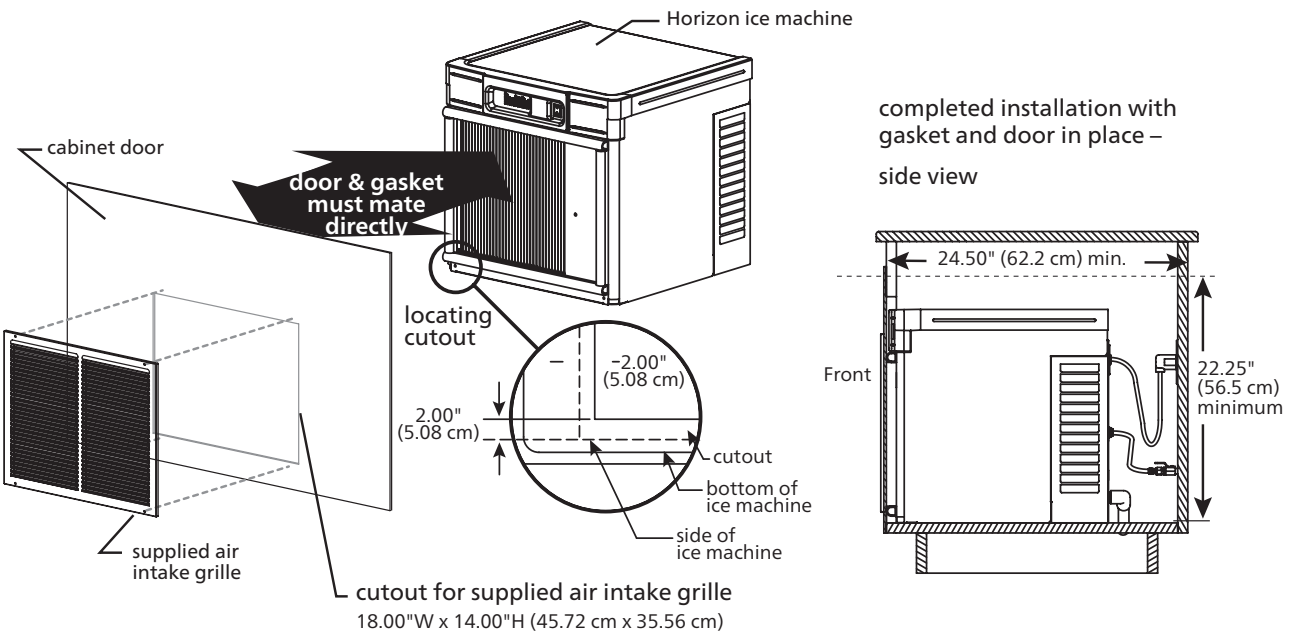
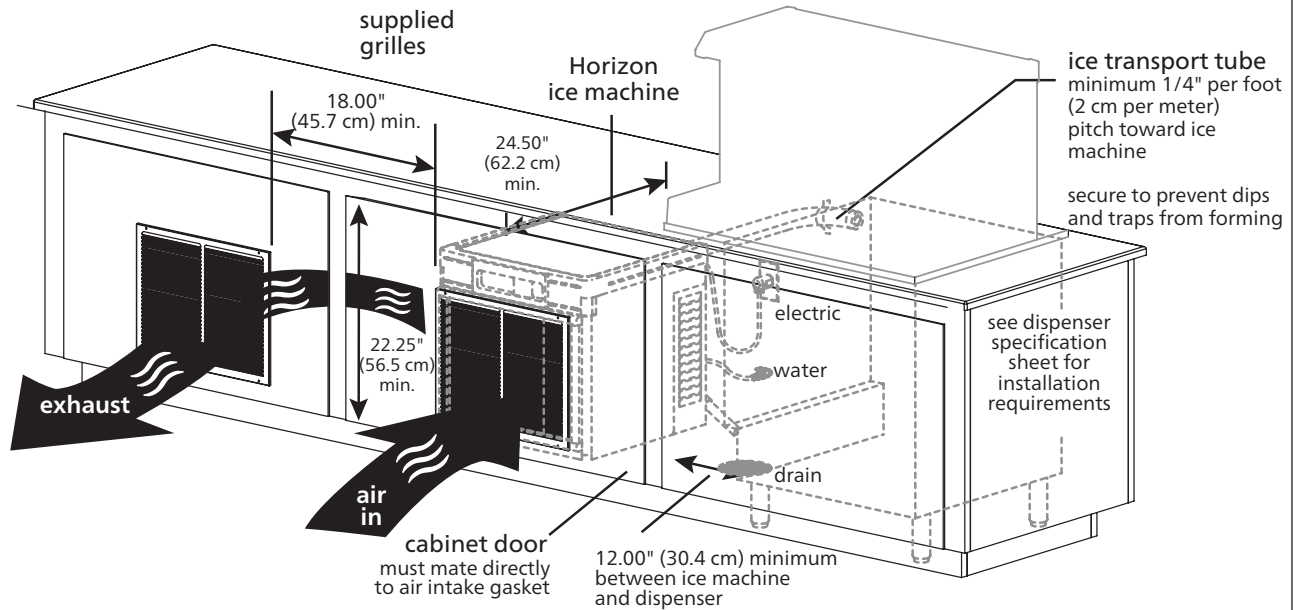
- Keep ventilation openings in the appliance enclosure clear of obstruction. Failure to do so could result in damage to equipment.
- To ensure proper ventilation (if not using supplied grille) carefully review air circulation specifications on previous page (4.1)

### 3D Counter View



## Undercounter installation detail – Horizon 700 series (continued)

Horizon ice machines can be installed undercounter/in-cabinet to fill bins or dispensers using RIDE technology. Care must be taken to ensure proper cabinet venting to avoid recirculation of hot air. Improper venting can cause ice machine out-ages.



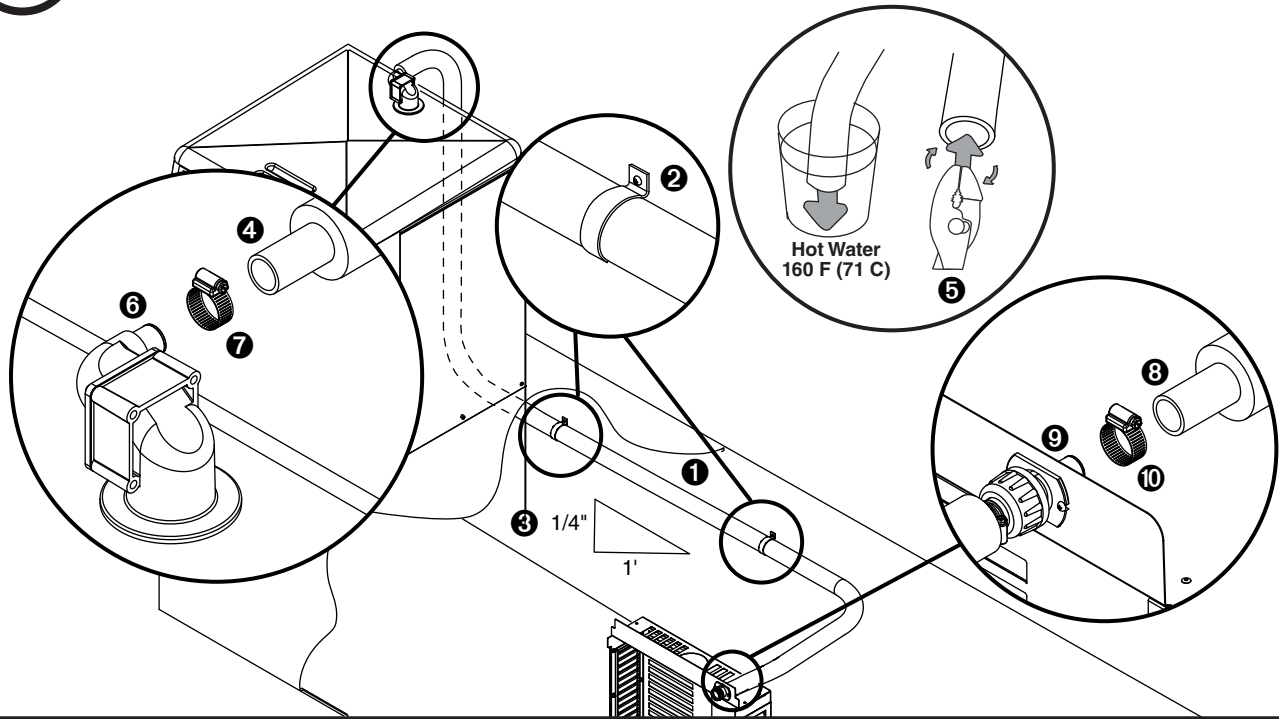
1. The supplied exhaust grille must be located at least 18" (46 cm) from the supplied air intake grille (exhaust air must not recirculate with intake air).
2. Cabinet interior must be open to allow for unrestricted exhaust air flow.
3. Ice transport tube needs minimum 1/4" per foot (2 cm per meter) pitch toward ice machine and should be secured to prevent dips and traps from forming.

4. Cabinet door must mate directly to air intake gasket.
5. Cabinet interior must provide a minimum clear space of 24.5" deep (62 cm) by 22.25" high (57 cm).
6. Cutout for supplied grilles must meet minimum size requirements shown above.
7. Utilities should be conveniently located as shown.

Install the ice transport tube.



### 5.1 Ice transport tube installation.



#### Ice transport tube tips

- Insulate entire length of ice transport tube ①
- Secure ice transport tube ② as needed to prevent dips and traps from forming. For long tube runs see guide on page 20.
- Pitch ice transport tube at least 1/4" per foot (6,4mm/.3m) ③
- Ice transport tube must drain towards ice machine

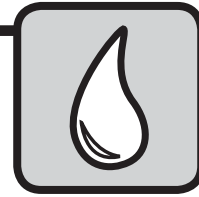
#### Ice transport tube to dispenser

- Be sure tube ends are square ④
- Heat end of transport tube in cup of 160 F (71 C) hot water to soften and spread with pliers ⑤ before making connection to ease assembly
- Push ice transport tube onto ice machine nipple ⑥
- Install hose clamp ⑦

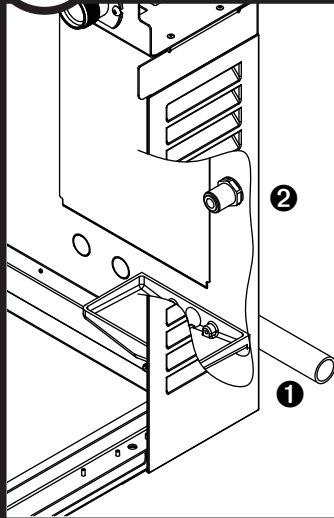
#### Ice transport tube to Ice machine

- Be sure tube ends are square ③
- Heat end of transport tube in cup of 160 F (71 C) hot water to soften and spread with pliers ⑤ before making connection to ease assembly
- Push ice transport tube onto ice machine nipple ⑨
- Install hose clamp ⑩

Connect utilities to louvered docking assembly.

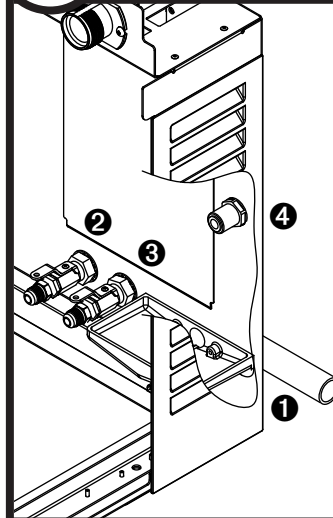


### 6.1 Air-cooled ice machines only



- Remove access panel if necessary
- Install drain line **1**.  
The rigid drain line from the ice machine must be vented and have at least 1/4" per foot (6,4mm/0,3m) pitch.
- Install ice machine potable water supply **2**  
(Water supply must be treated by a scale-inhibiting filter (item# 00130286))
- Replace access panel

### 6.2 Water-cooled ice machines only



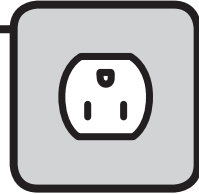
- Remove access panel if necessary
- Install drain line **1**.  
The rigid drain line from the ice machine must be vented and have at least 1/4" per foot (6,4mm/0,3m) pitch.
- Connect cooling water supply **2** and return **3**
- Install ice machine potable water supply **4**  
(Water supply must be treated by a scale-inhibiting filter (item# 00130286))
- Replace access panel



Connect louvered docking assembly to ice machine.

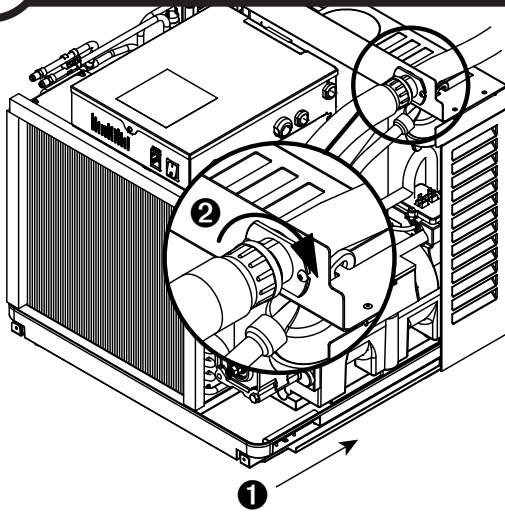
**CAUTION!**

- Plug must be accessible after final installation.



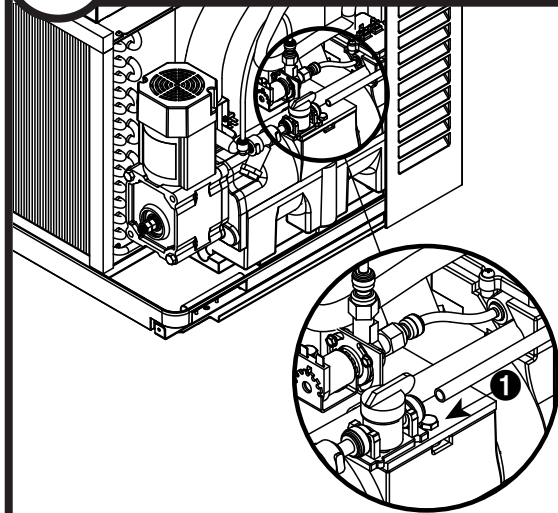
Air-cooled ice machines – follow steps 7.1 through 7.4.

**7.1 Ice transport tube**



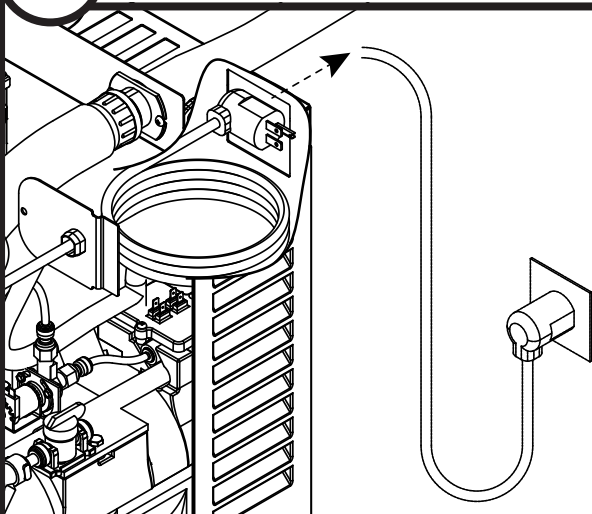
- Slide ice machine into louvered docking assembly **1**
- Insert ice transport tube all the way into coupling and tighten nut firmly **2**

**7.2 Potable water and drain lines**



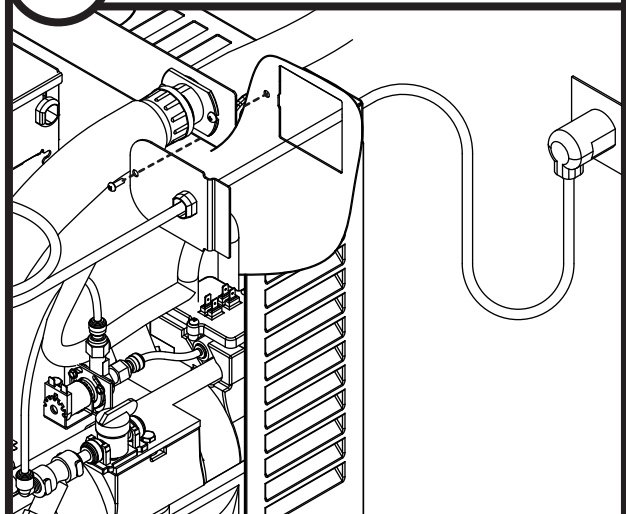
- Insert potable water line into valve **1**

**7.3 Power cord**



- Remove twist tie
- Carefully pass plug thru opening and plug into wall outlet

**7.4 Power cord**

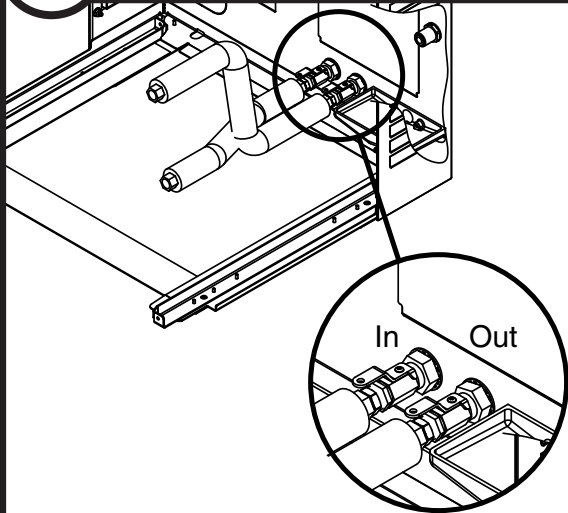


- Position plate into opening and secure with supplied screw



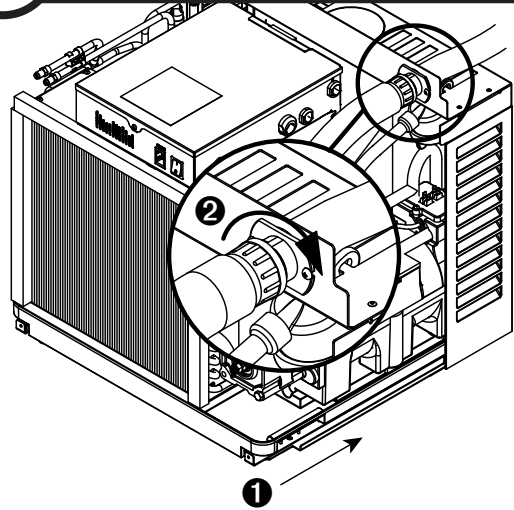
Water-cooled ice machines – follow steps 7.5 through 7.10.

### 7.5 Cooling lines



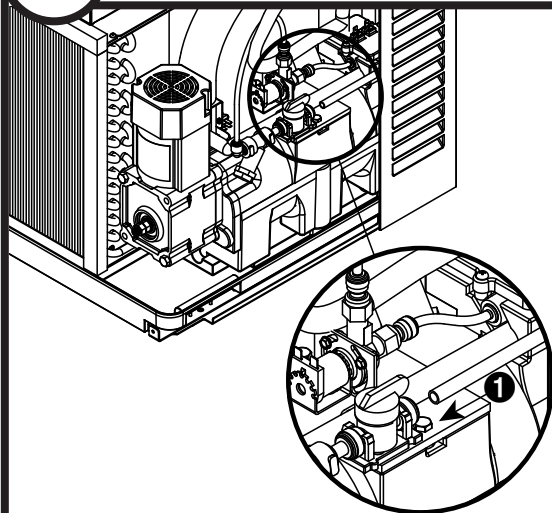
- Install ice machine cooling water lines to louvered docking assembly

### 7.6 Ice transport tube



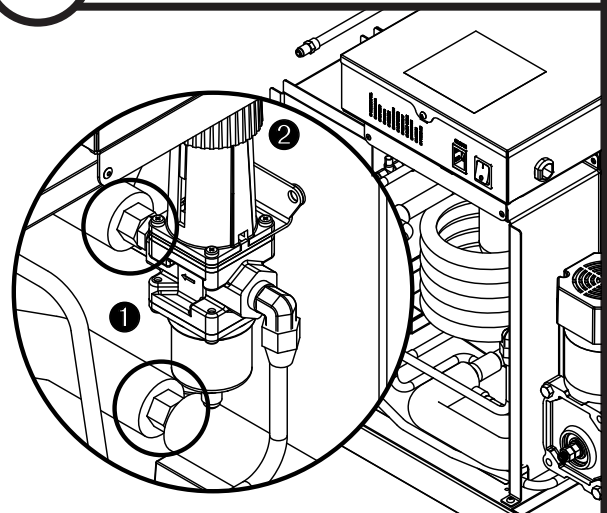
- Slide ice machine into louvered docking assembly ①
- Insert ice transport tube into coupling and tighten nut firmly ②

### 7.7 Potable water and drain lines



- Insert potable water line into valve ①

### 7.8 Cooling lines and power

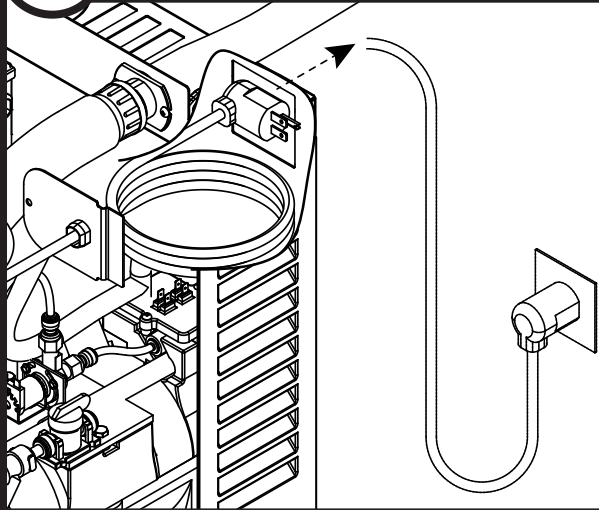


- Connect cooling water lines to ice machine ①
- Water valve is set at the factory. **DO NOT** remove seal or adjust water valve ②

**⚠ WARNING!**

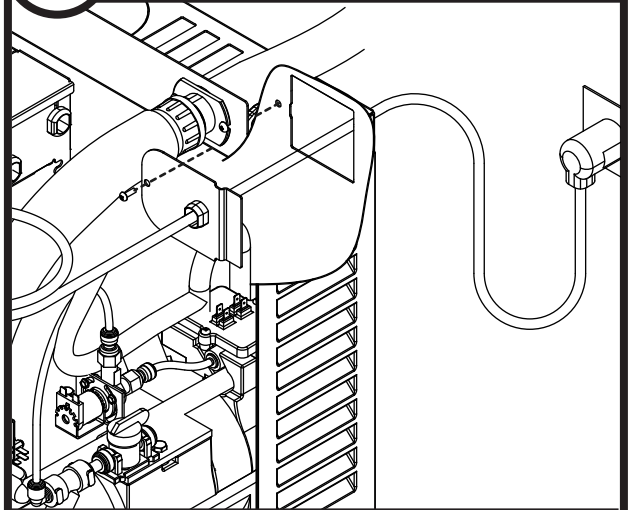
- This appliance should be permanently connected by a qualified person in accordance with application codes.
- If the supply cord is damaged, it must be replaced by the manufacturer, its service agent or similarly qualified persons in order to avoid a hazard.

**7.9 Power cord**

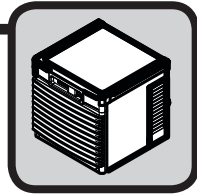


- Remove twist tie
- Carefully pass plug thru opening and plug into wall outlet

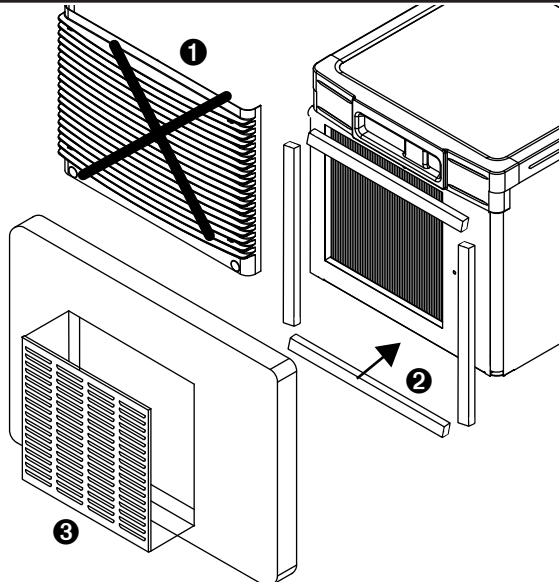
**7.10 Power cord**



- Position plate into opening and secure with supplied screw



Front cover installation – undercounter

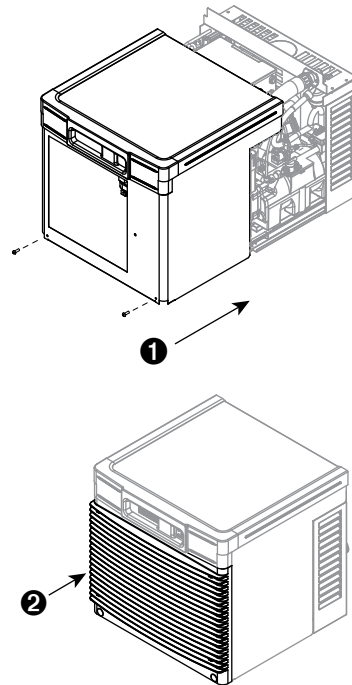


**CAUTION**

- Keep ventilation openings in the appliance enclosure clear of obstruction. Failure to do so could result in damage to equipment.
- To ensure proper ventilation (if not using supplied grille) carefully review air circulation specifications in section 4.1

- Remove and discard plastic grille ①
- Apply supplied gasket material on flat surface of stainless steel portion of front panel to prevent air recirculation ②
- Attach supplied metal grille to opening in counter door (see section 4.1) ③

Normal front cover installation

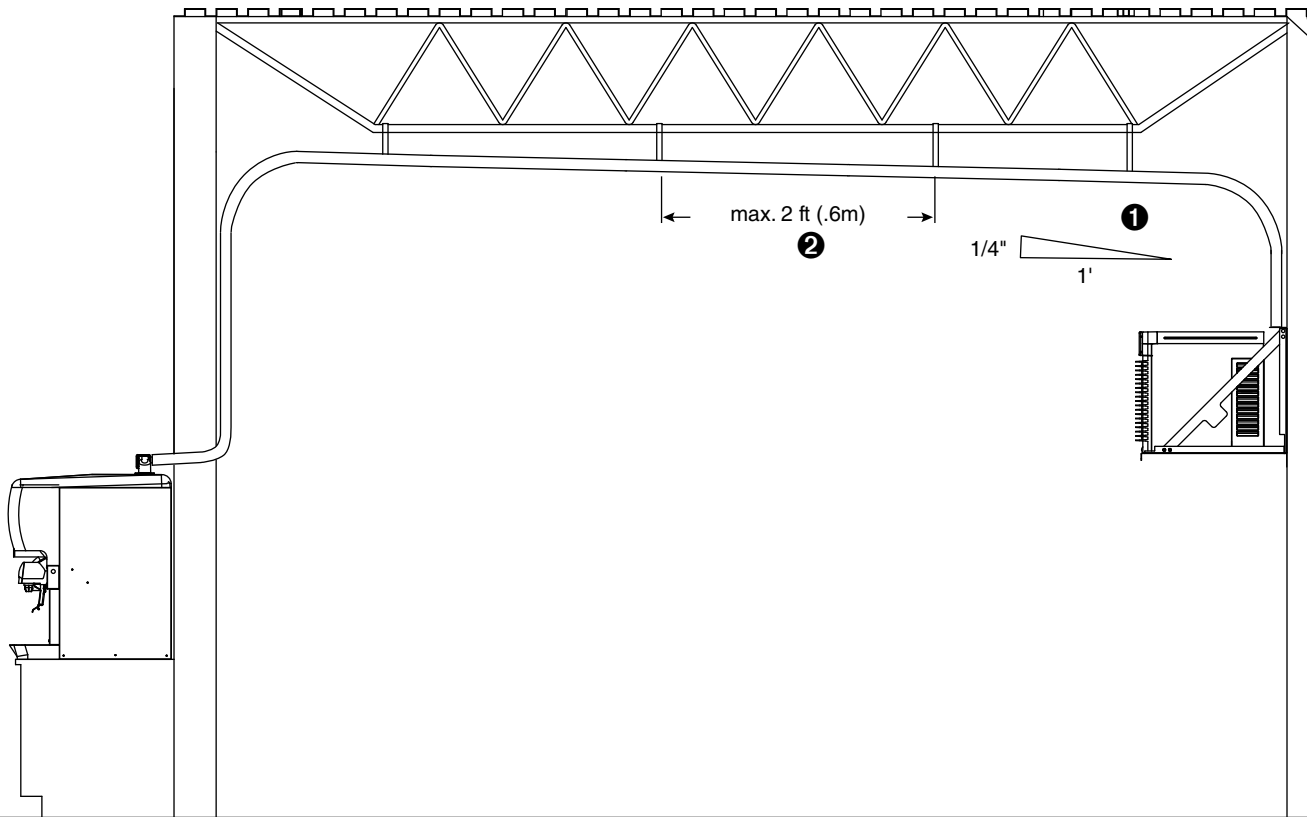


- Slide ice machine cover over machine, ensuring that tabs on back of cover slip under louvers on back of louvered docking assembly ①, then tighten two screws through cover
- Place louvered front cover on machine ②

**NOTICE**

- Ice machine MUST be sanitized prior to operation!
- Consult Operation and Service Manual provided with ice machine for sanitizing instructions.
- To prevent circuit breaker overload, wait 15 minutes before restarting this unit. This allows the compressor to equalize and the evaporator to thaw.

## Long tube run recommendations



- Pitch ice transport tube to allow melt water to drain towards ice machine ①
- Secure insulated ice transport tube at least every 2 ft (.6m) to prevent dips or traps ②
- Maximum length of transport tube is 75' (22.5 m).
- Maximum rise is 20' (7.5 m).
- Maximum length of transport tube for Micro Chewlet applications is 10' (3 m).

Horizon, and Harmony are trademarks of Follett Corporation.

Follett, Chewlet and RIDE are registered trademarks of Follett Corporation, registered in the US.