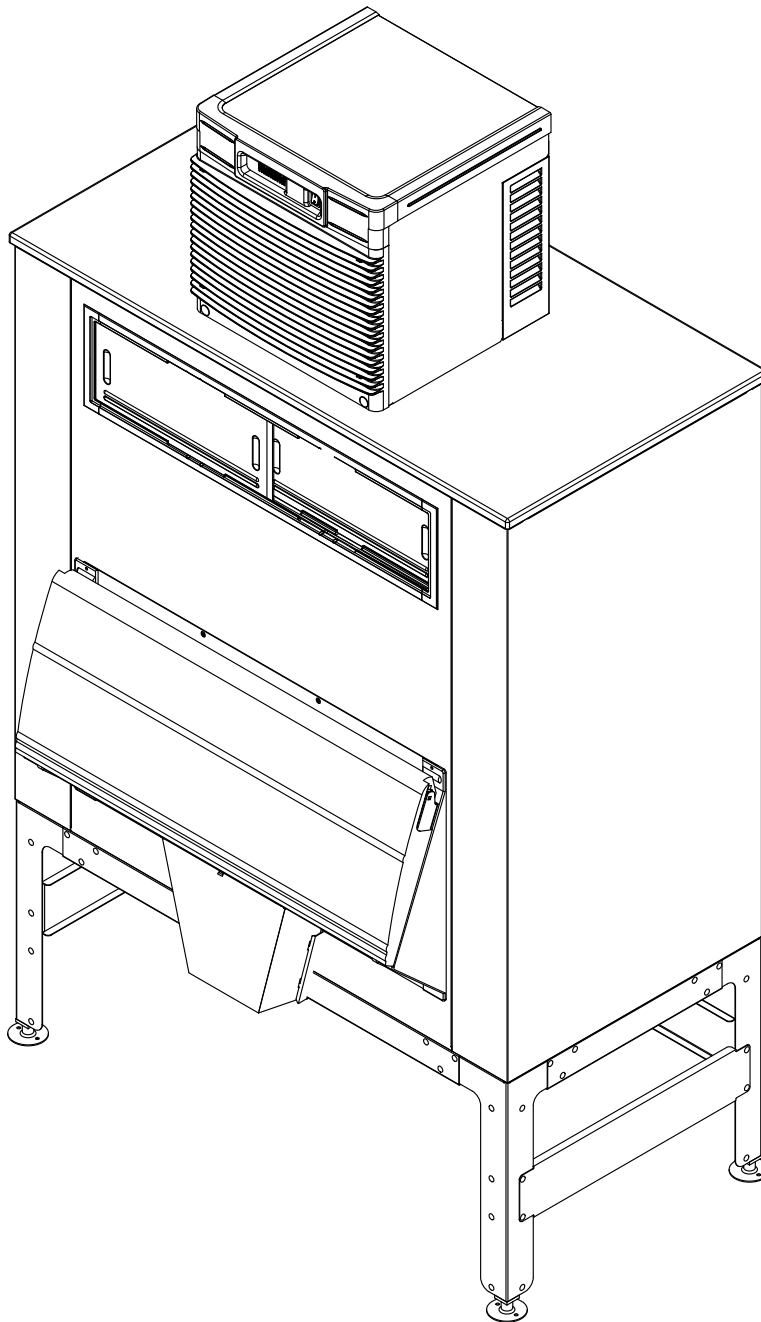
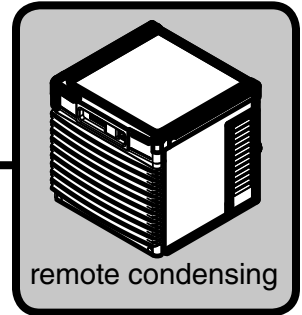


Horizon™ Ice Machine Installation Instructions for Ice Storage Bin Top-mount Applications

HCD/HMD700RBT
HCD/HMD700NBT

(See model number configurator on page 2 for details.)

Order parts online
www.follettice.com




Chewblet® Ice Machine Model Number Configurations

HC
C
700
A
V
S


Machine	Voltage	Series	Condenser	Application	Configuration
MC Maestro™ Chewblet (400 Series)	C 208-230/60/1 (icemaking head) <i>Self-contained only.</i>	400 up to 454 lbs (206kg)	A Air-cooled, self-contained	V Vision™	S RIDE®
HC Horizon Chewblet (1000, 1400, 1650 Series)	D 115/60/1 (icemaking head) <i>Self-contained and remote. If remote unit, high side is 208-230/60/1.</i>	700 up to 750 lbs (340kg)	W Water-cooled, self-contained	H Harmony™	(RIDE remote ice delivery equipment)
HM Horizon Micro Chewblet	E 230/50/1 (icemaking head) <i>Self-contained only.</i>	1000 up to 1036 lbs (471kg)	R Air-cooled, remote condensing unit	B Ice storage bin	T Top-mount
	F 115/60/1 (icemaking head) <i>Remote only. High side is 208-230/60/3.</i>	1400 up to 1450 lbs (658kg)	N Air-cooled, no condensing unit for connection to parallel rack system	J Drop-in	
		1650 up to 1580 lbs (717kg)		M Ice Manager™ diverter valve system	

Read and complete the following 8 installation steps

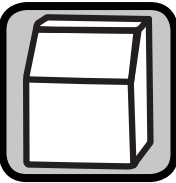
1 **Unpack** _____



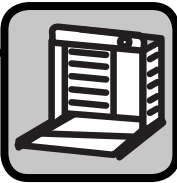
2 **Site preparation** _____




3 **Bin preparation** _____




4 **Louvered docking assembly** _____



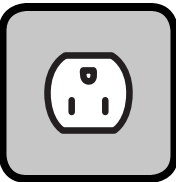
5 **Ice transport tube** _____



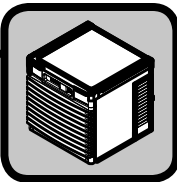
6 **External connection** _____



7 **Internal connection** _____



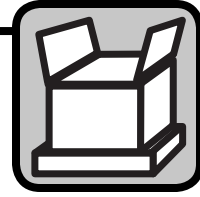
8 **Front cover** _____



Carefully unpack and inspect the contents of your Follett ice machine.

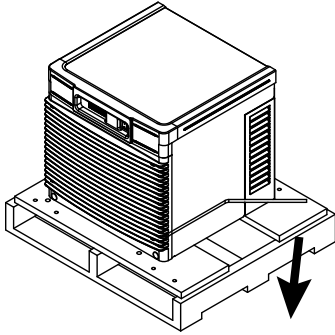
Unpack

1

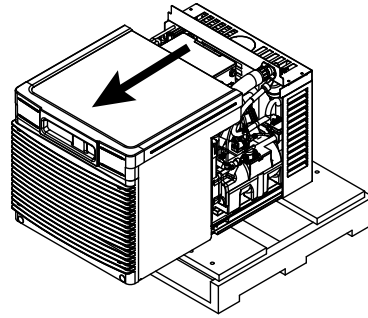


1.1 Unpack ice machine

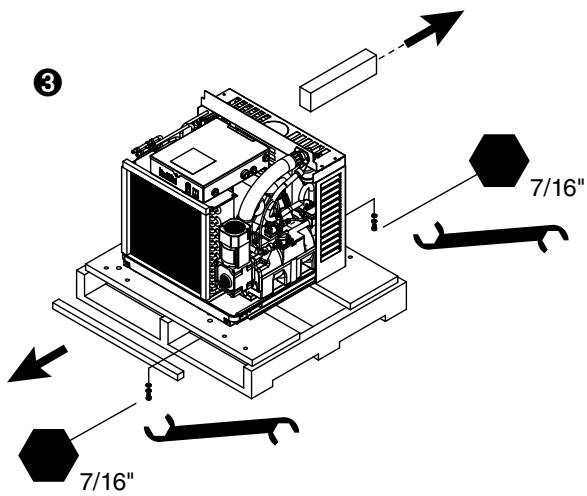
1



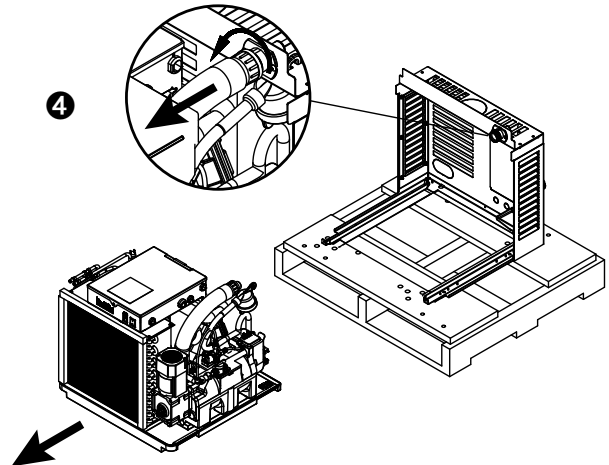
2



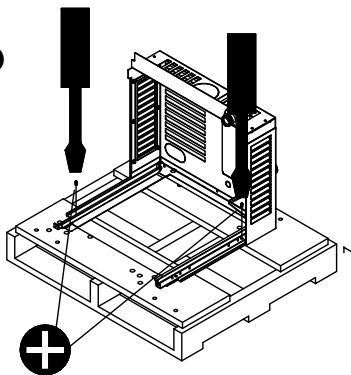
3



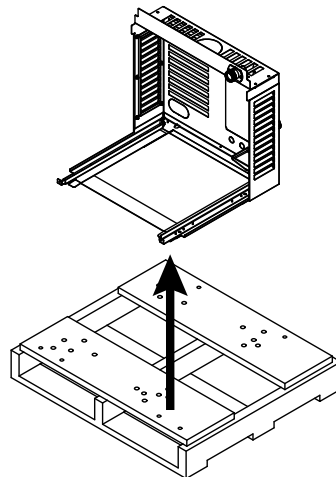
4



5

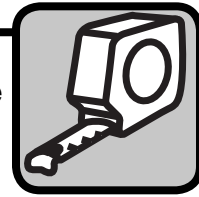


6

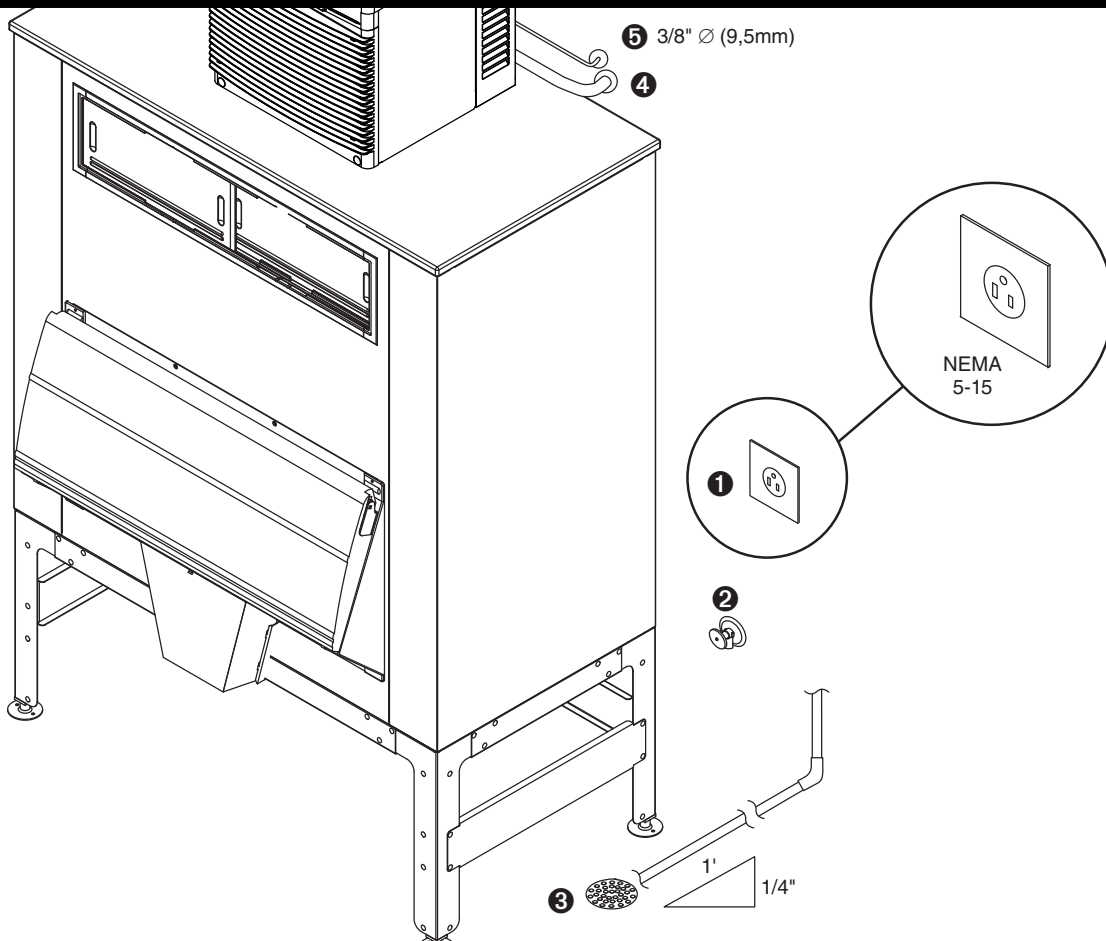


Prepare the installation site.

Provide drainage, water supply and electrical power to within 6 feet (2m) of ice machine in accordance with local and national codes. Outdoor installation is not recommended and will void warranty.



2.1 Installation site requirements



Electrical ①

- 120/60/1-6 amps

Potable water supply ②

- 10-70 psi (69-483kpa)
- 45-90 F (7-32 C)
- Water supply must be treated by a scale-inhibiting filter (item# 00130286)

Drain ③

- The drain line from the ice machine must be vented and have at least 1/4" per foot pitch (6,4mm/0,3m)

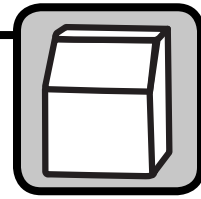
Refrigeration lines ④

- 5/8" (15,8mm) diameter suction (insulated) ④
- 3/8" (9,5mm) liquid ⑤

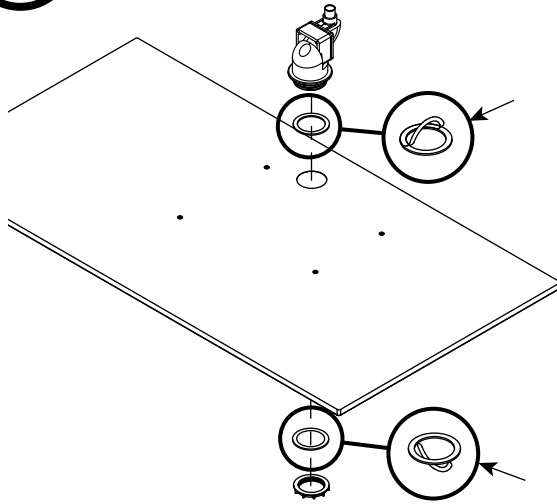
Prepare the bin.

Bin preparation

3

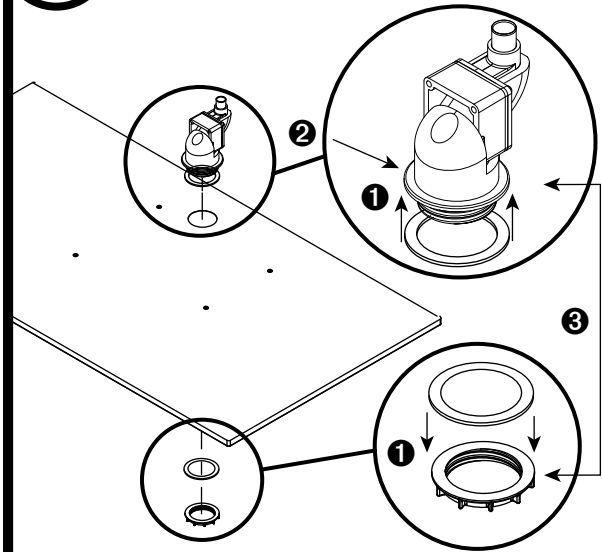


3.1 Bin top preparation



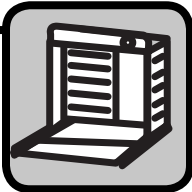
- Remove protective tape from gaskets

3.2 Bin top preparation

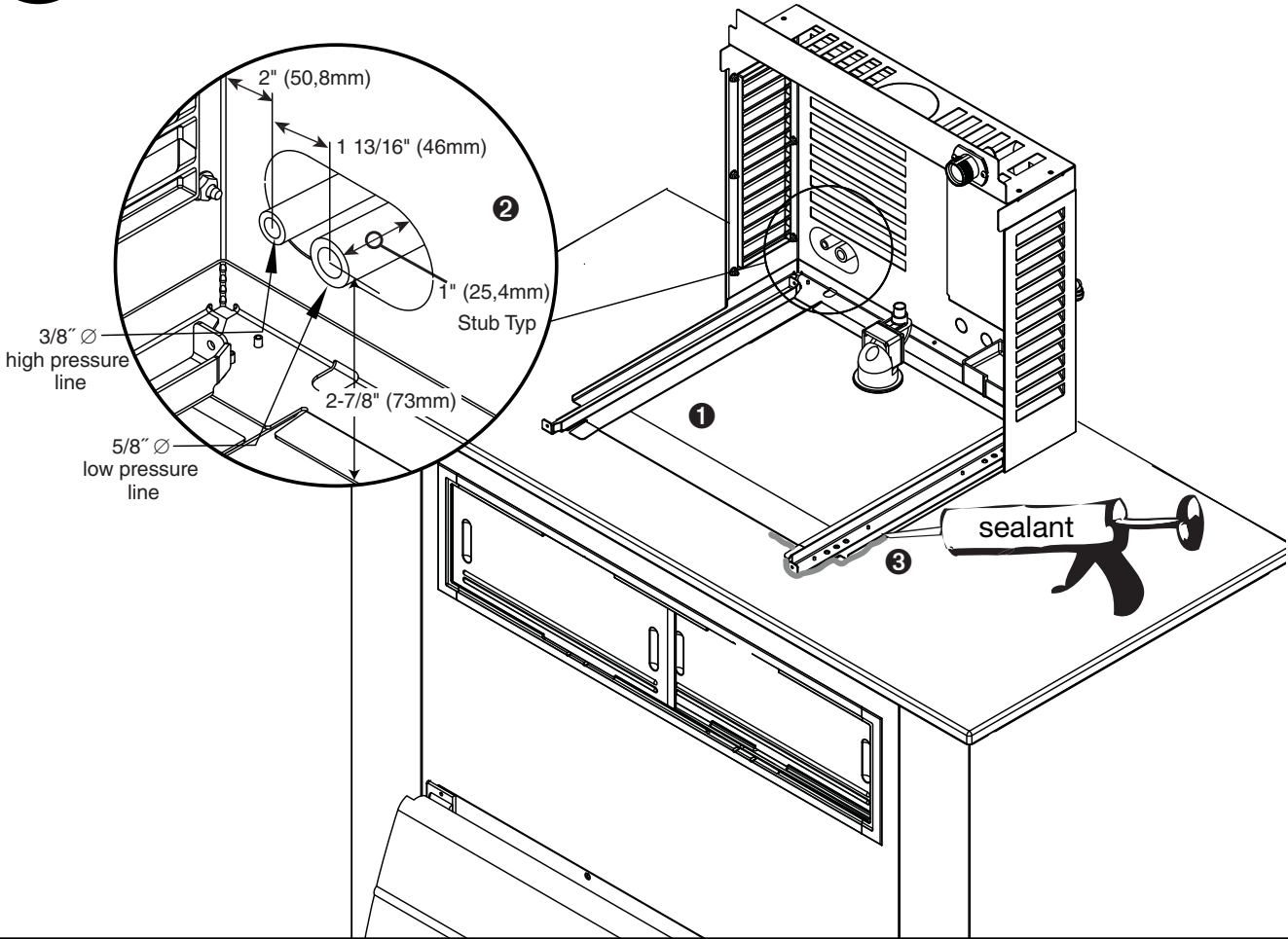


- Apply gaskets ①
- Install shuttle actuator ② through dispenser top and secure with locking nut ③

Install the louvered docking assembly.

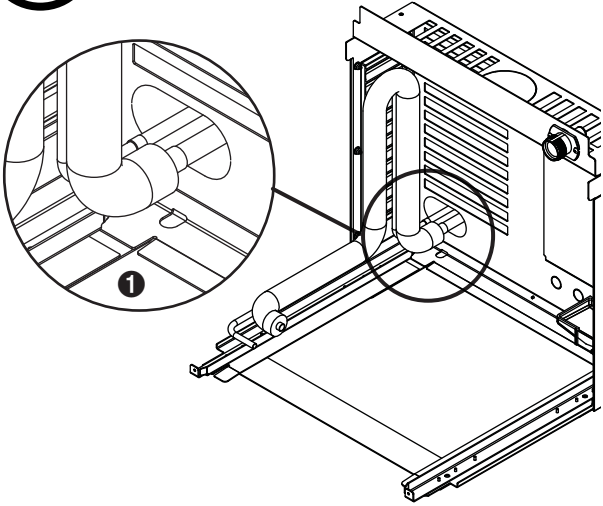


4.1 Louvered docking assembly



- Mount louvered docking assembly ①
- “Rough-in” the refrigerant piping ②
- Seal perimeter of docking station to mounting surface ③

4.2 Refrigerant lines

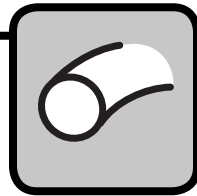


- Braze supplied expandable refrigerant lines in place ❶

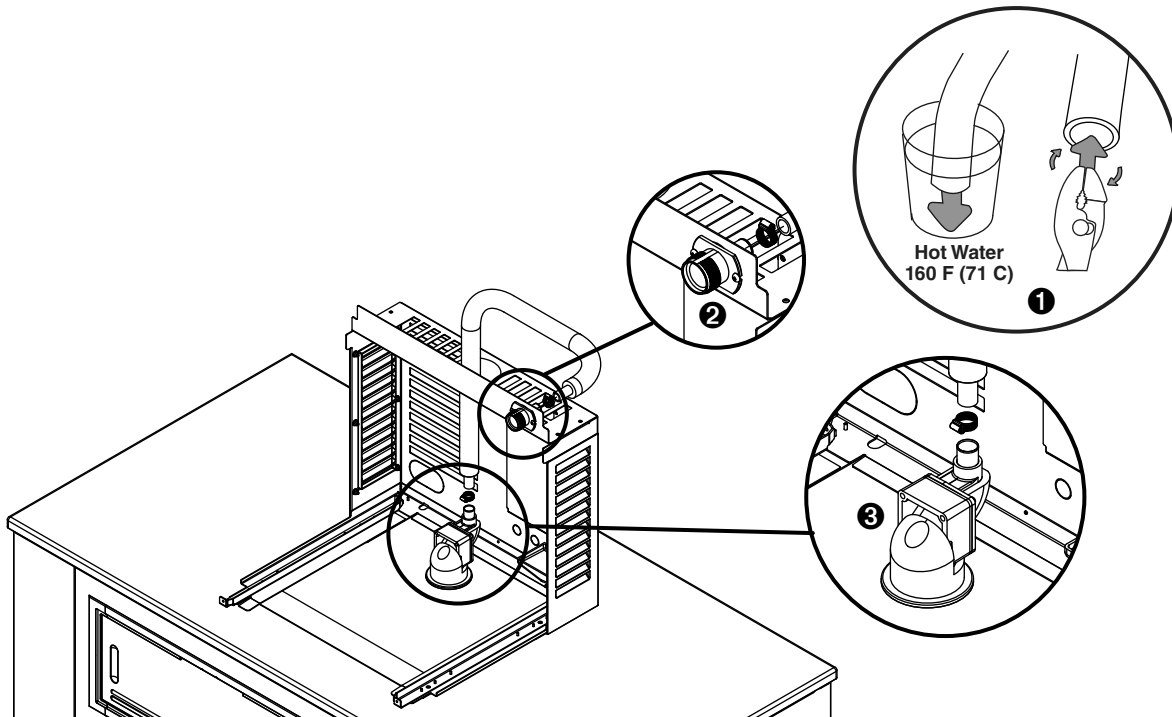
Install the ice transport tube.

Ice transport tube

5



5.1 Ice transport tube

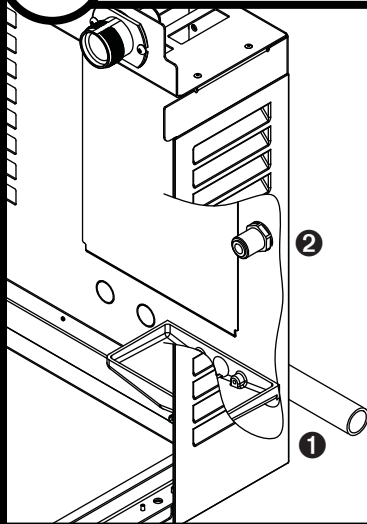


- Cut transport tube to 26" (66 cm) length
- Install supplied ice transport tube insulation
- Heat end of transport tube in cup of 160 F (71 C) hot water to soften and spread with pliers ❶ before making connection to ease assembly
- Connect ice transport tube to coupling on louvered docking station ❷
- Connect ice transport tube to shuttle actuator ❸

Connect utilities to louvered docking assembly.



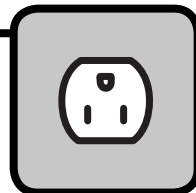
6.1 Water and drain



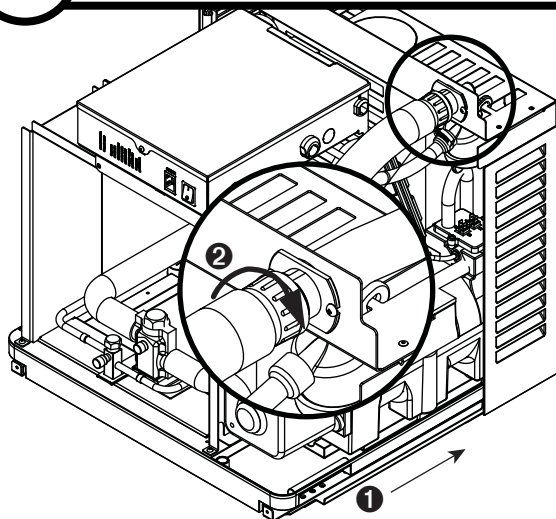
- Remove access panel if necessary.
- Install drain line **1**.
The rigid drain line from the ice machine must be vented and have at least 1/4" per foot (6,4mm/0,3m) pitch.
- Install icemaker potable water supply **2**
(Water supply must be treated by a scale-inhibiting filter (item# 00130286))
- Replace access panel

Connect louvered docking assembly to ice machine.

Internal connections **7**

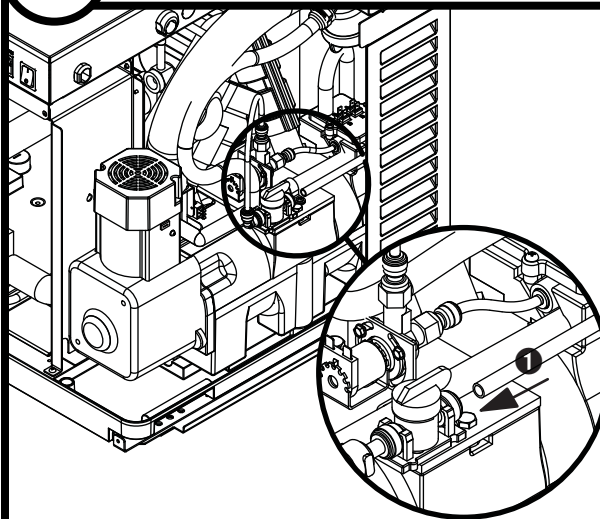


7.1 Ice transport tube installation



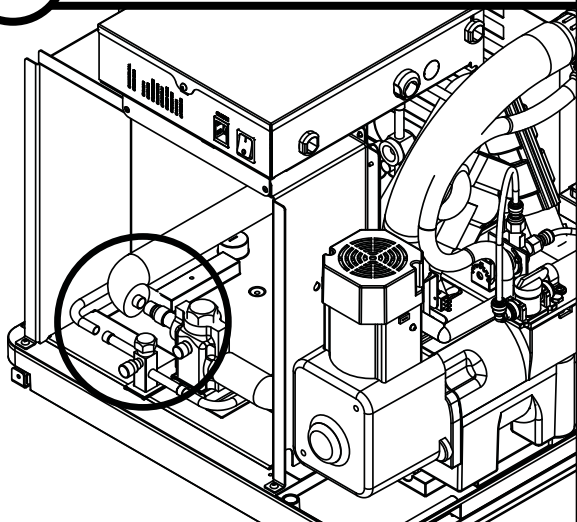
- Slide ice machine into louvered docking assembly **1**
- Insert ice transport tube all the way into coupling and tighten nut firmly **2**

7.2 Water and drain lines



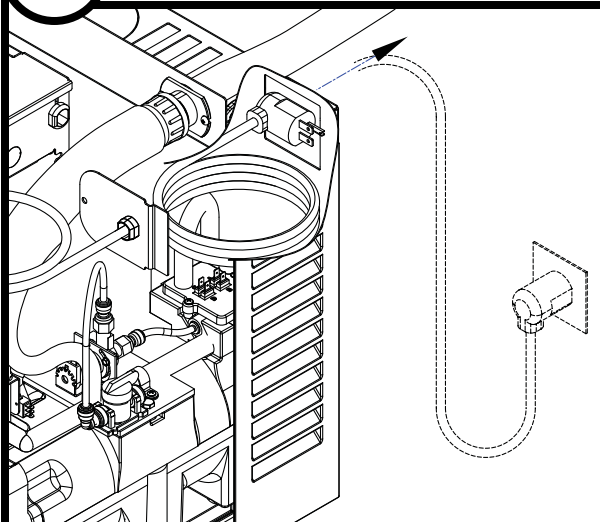
- Insert potable water line into valve **1**

7.3 Refrigeration lines



- Braze refrigerant lines

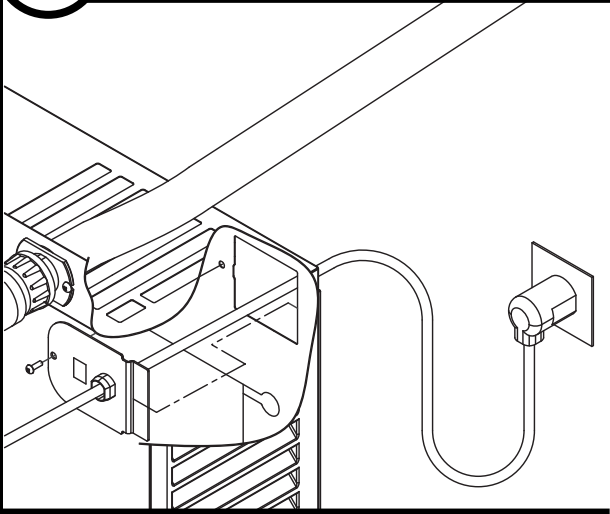
7.4 Power cord



- Remove twist tie
- Carefully pass plug thru opening and plug into wall outlet

7.5

Power cord

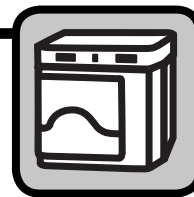


- Position plate into opening and secure with supplied screw

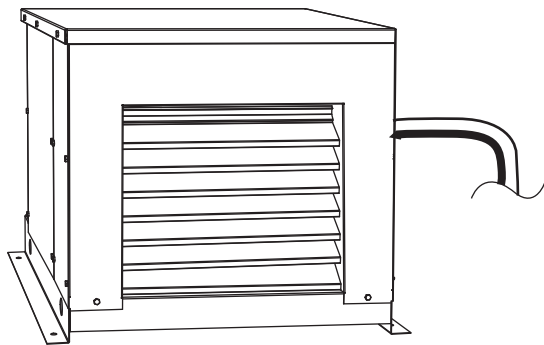
Install front cover to ice machine.

Front cover

8

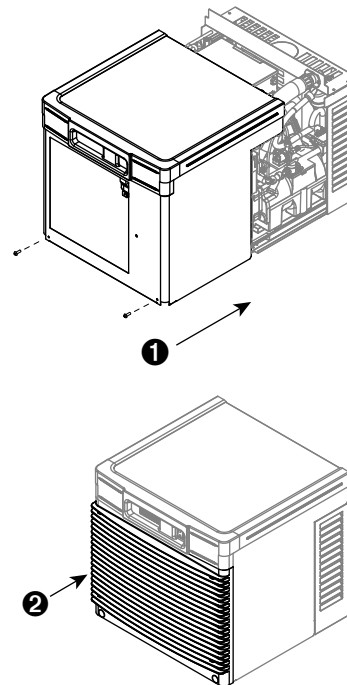


8.1 Install condensing unit



- Complete installation of condensing unit or connection to rack system.

8.2 Install ice machine front cover



- Slide ice machine cover over machine, ensuring that tabs on back of cover slip under louvers on back of louvered docking assembly ①, then tighten two screws through cover
- Place louvered front cover on machine ②

NOTICE

- Ice machine **MUST** be sanitized prior to operation!
- Consult Operation and Service Manual provided with ice machine for sanitizing instructions.
- To prevent circuit breaker overload, wait 15 minutes before restarting this unit. This allows the compressor to equalize and the evaporator to thaw.

Horizon, Maestro, Harmony, Ice Manager, SafeCLEAN, Sani-Sponge and Vision are trademarks of Follett Corporation.
Follett, RIDE and Chewblet are registered trademarks of Follett Corporation, registered in the US.



801 Church Lane • Easton, PA 18040, USA
Toll free (877) 612-5086 • +1 (610) 252-7301
www.follettice.com



01012681R01
© Follett Corporation 8/13