

# Wall Mount Bracket Accessory

## Horizon Elite™ 1010/1410 Self-contained Ice Machines

### Installation Instructions

#### Description

Use the wall mount bracket assembly when locating the Horizon ice machine on a wall.

#### Materials Supplied

- (1) Wall mount bracket
- (8) 1/4" – 20 carriage bolt
- (8) 1/4" – 20 acorn nut
- (1) 3' – edge guard
- (4) 1/4" – 20 hex head bolt
- (4) 1/4" – 20 hex nut
- (12) 1/4" – washer

#### Materials Needed

- Appropriate mounting hardware for wall surface/location (see Step 4)
- Drill and/or hammer

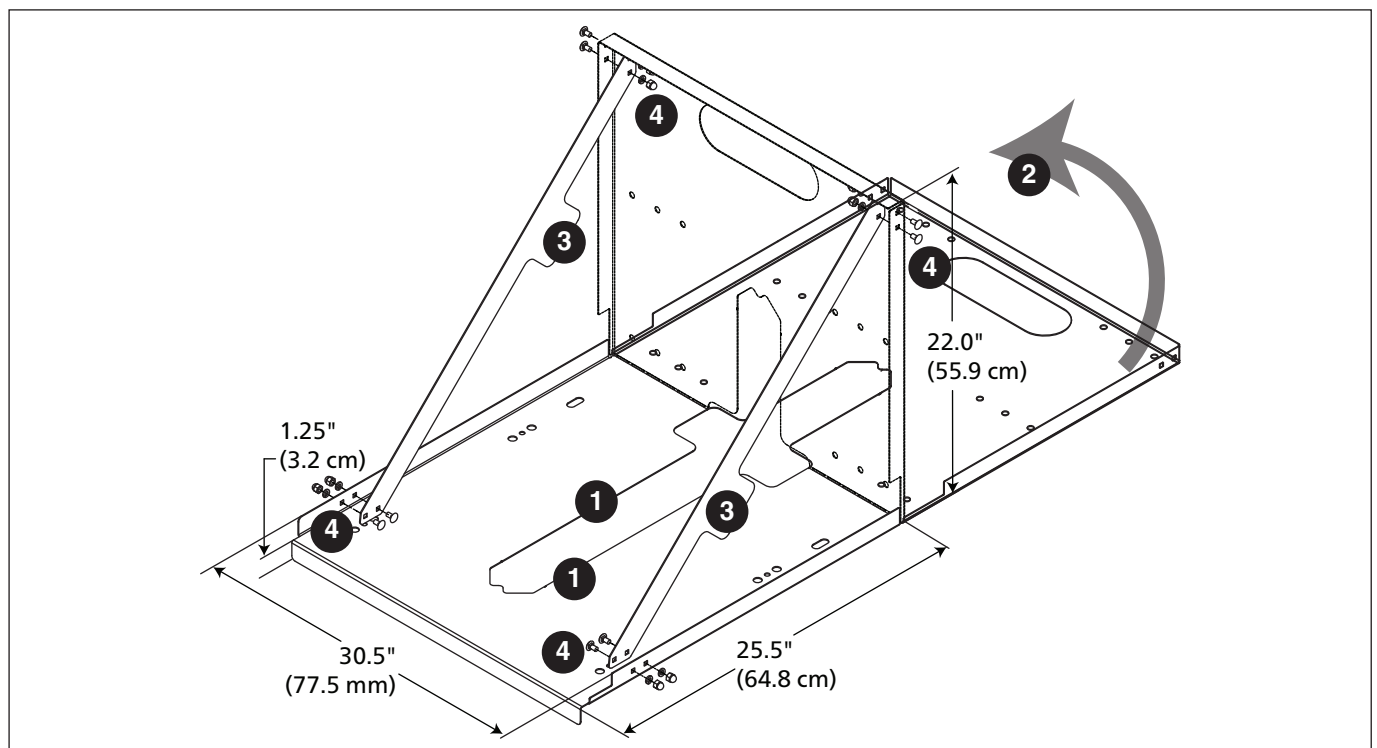
#### Installation

If you experience any problems during the installation process, please call Follett Technical Service toll-free at (877) 612-5086 or +1 (610) 252-7301 for assistance.

1. Remove support arm brackets from center of stainless sheet (**Fig. 1.1**).
2. Bend wall mount bracket up 90° (**Fig. 1.2**).
3. Attach support arms (**Fig. 1.3**) to folded wall mount bracket with supplied 1/4" carriage bolts, washers, and acorn nuts (**Fig. 1.4**).

**Note:** Carriage bolts must be installed inside of support arms.

Fig. 1



4. Attach wall mount bracket to wall (**Fig. 2**) using appropriate hardware for wall type.



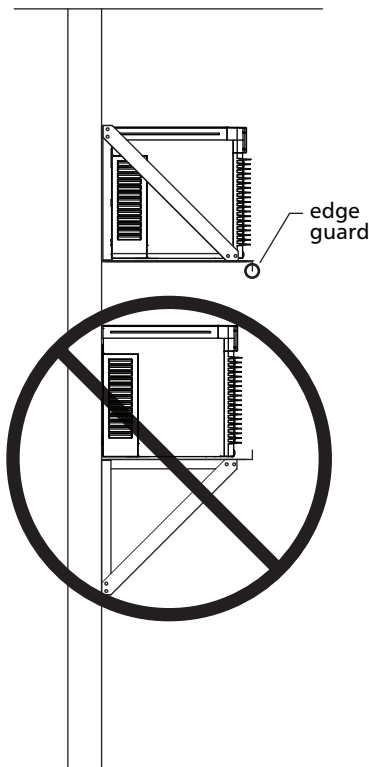
**WARNING!**

*Because wall surfaces vary widely and the ultimate mounting method is out of Follett's control, it is imperative that you consult with an appropriate engineering, architectural or construction professional to ensure that your Horizon mounting solution can support 250 lbs (113 kg) and is mounted properly.*

*Failure to do so could result in personal injury, or damage to equipment or property.*

5. Attach louvered docking station to wall mount bracket using four supplied 1/4" hex head bolts, washers and hex nuts.
6. Trim edge guard to length - allow 1" overhang left and right - and attach to lower edge of wall mount bracket (**Fig. 2**).

**Fig. 2**



Horizon and Horizon Elite are trademarks of Follett Corporation.  
Follett is a registered trademark of Follett Corporation, registered in US.