

Description

Follow these instructions to bypass the internal filtration and/or eliminate the water dispense feature on 7 Series dispensers. In order to perform either of these operations, you must first complete the "**Access Internal Components**" section.



CAUTION!

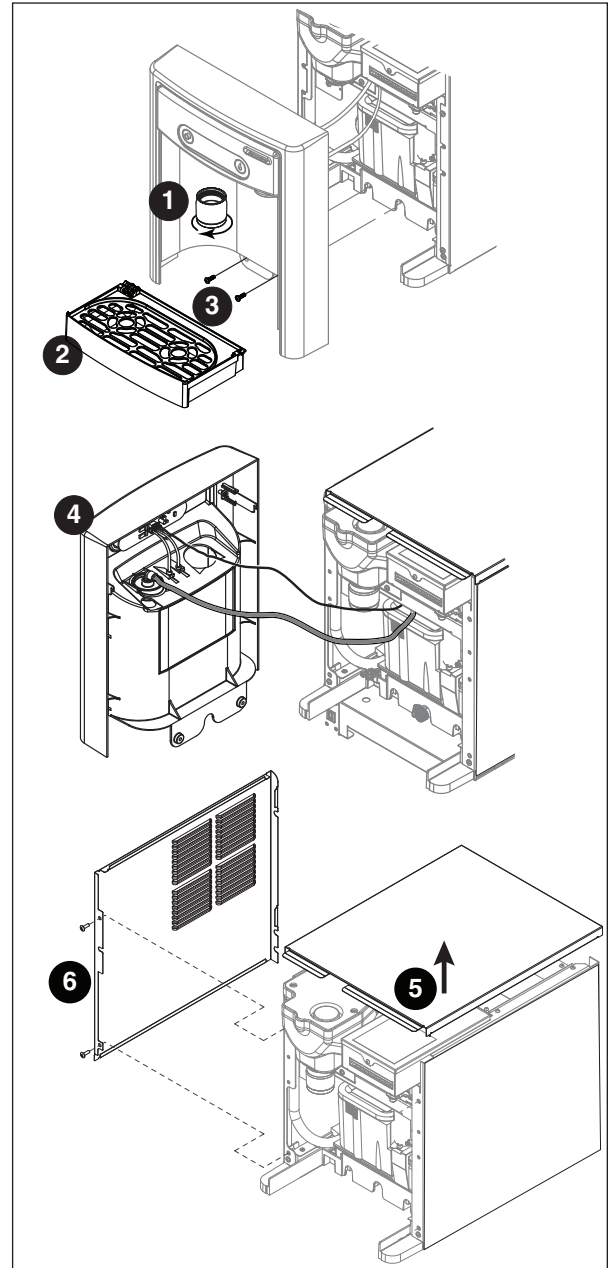
Only qualified technicians should attempt to service or maintain this equipment.

If you experience any problems during the installation process, please call Follett Technical Service toll-free at (877) 612-5086 or +1 (610) 252-7301 for assistance.

Access Internal Components

1. Unplug dispenser.
2. Turn off water supply to dispenser.
3. Remove (unscrew) chrome ice dispenser chute (**Fig. 1.1**).
4. Remove the drip tray (**Fig. 1.2**).
5. Remove the two screws (**Fig. 1.3**) on the front panel (behind the drip tray).
6. Remove and set aside the front panel (**Fig. 1.4**) - **do not disengage the plug on the back of the User Interface or the tubing at the water dispenser chute (if so equipped)**.
7. Lift and remove the top panel, set aside (**Fig. 1.5**).
8. Remove two screws (**Fig. 1.6**) and remove left side panel.

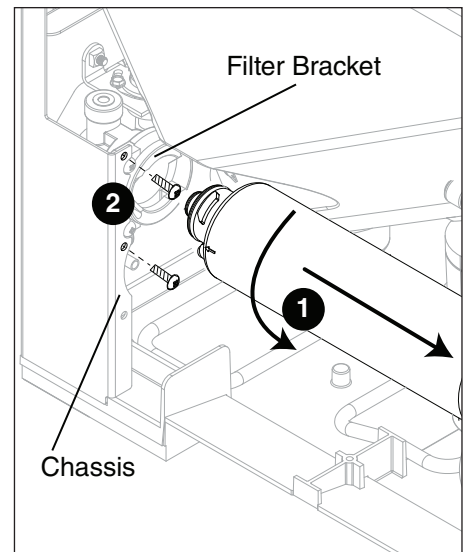
Fig. 1



Bypass Internal Filtration

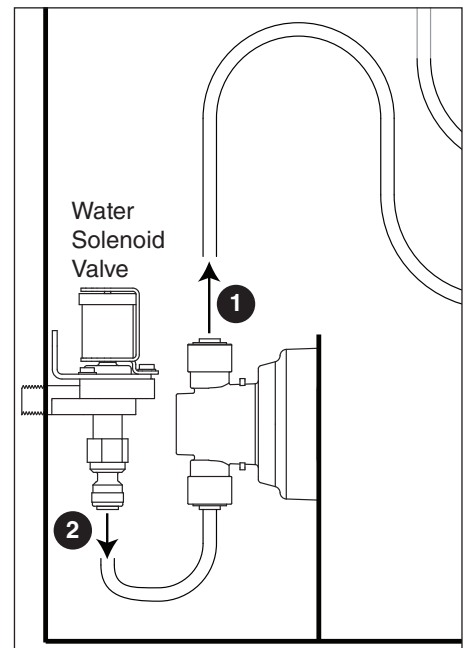
1. Rotate filter as indicated and remove (**Fig. 2.1**).
2. Remove two screws that attach filter bracket to dispenser chassis (**Fig. 2.2**).

Fig. 2



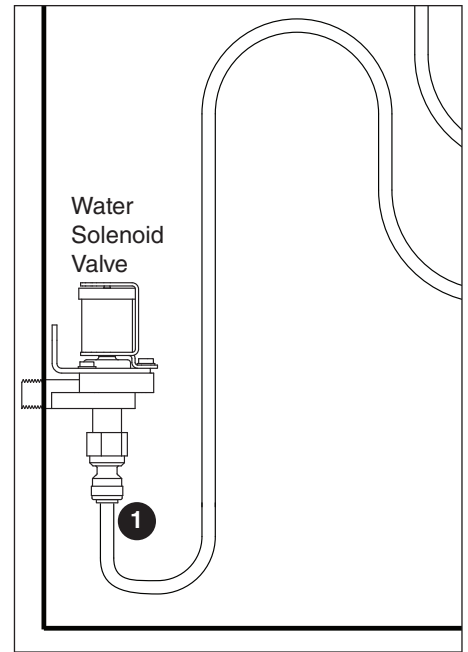
3. Disconnect tube from filter outlet (**Fig. 3.1**).
4. Disconnect tube from water solenoid valve (**Fig. 3.2**).

Fig. 3



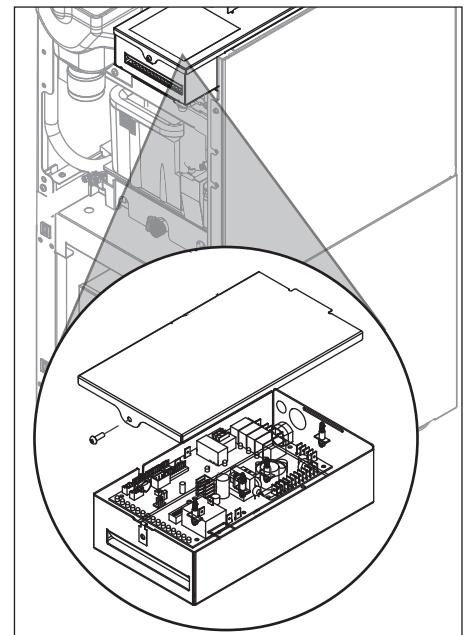
5. Connect tube taken from filter outlet to water solenoid valve (Fig. 4.1).

Fig. 4



6. Remove (1) screw and top of control board enclosure (Fig. 5).

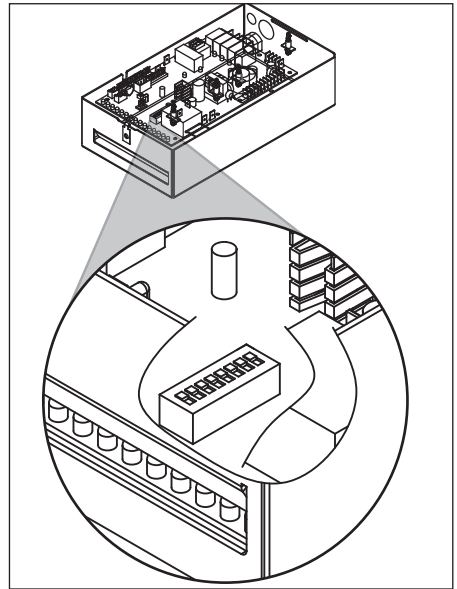
Fig. 5



7. Locate the DIP switches on the dispenser's control board (**Fig. 6**).
Use a fine-pointed object to move the "Filter" DIP switch (DIP switch #3) to the OFF position.

Fig. 6

	OFF	ON	
Not used (OFF position)		1	
Ice only		2	Ice & water
No internal filter		3	Internal filter supplied or to display "Fresh Filtered"
Not used (OFF position)		4	
Not used (OFF position)		5	
15 minute delay		6	30 minute delay
Not used (OFF position)		7	
Six-month PM enabled		8	Six-month PM disabled



Eliminating water dispense feature?

No: Replace control board enclosure, reassemble dispenser, turn on water supply, and restore power to dispenser. Test for leaks and ensure proper dispenser operation.

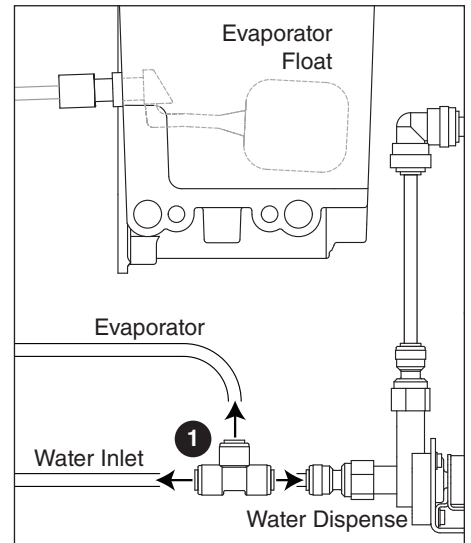
Yes: Continue to next section.

Eliminate Water Dispense Feature

If you did not bypass the internal filtration, complete the "**Access Internal Components**" section before proceeding.

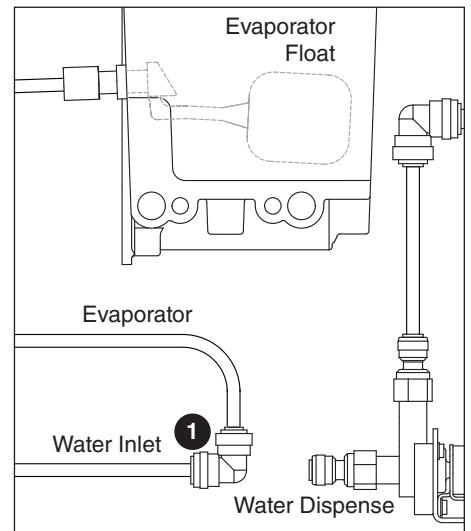
1. Remove tubing from "T" fitting (**Fig. 7.1**).

Fig. 7



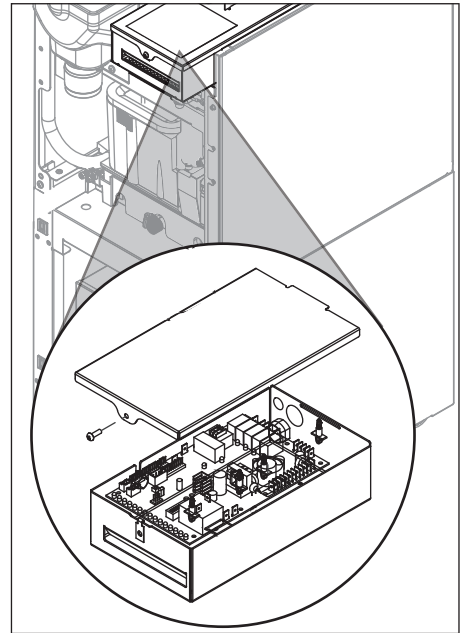
2. Install elbow fitting as shown (**Fig. 8.1**).

Fig. 8



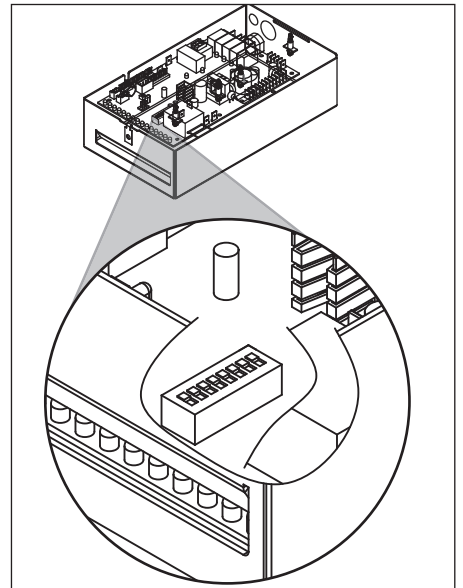
3. Remove (1) screw and top of control board enclosure (**Fig. 9**).

Fig. 9



4. Locate the DIP switches on the dispenser's control board (**Fig. 10**). Use a fine-pointed object to move the "Ice/Water" DIP switch (DIP switch #2) to the OFF position.

Fig. 10

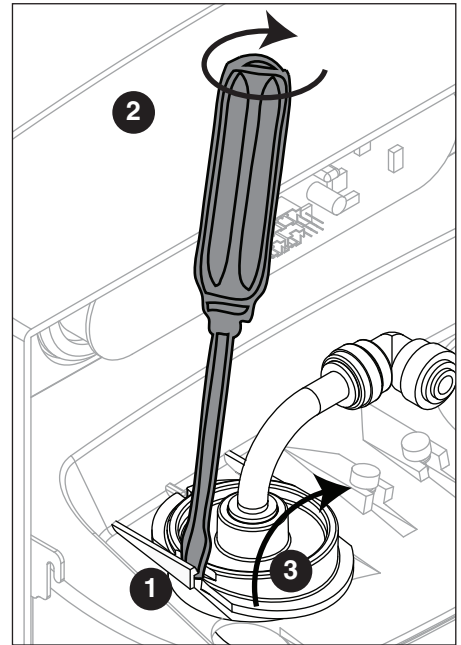


	OFF	ON	
Not used (OFF position)			
Ice only			Ice & water
No internal filter			Internal filter supplied or to display "Fresh Filtered"
Not used (OFF position)			
Not used (OFF position)			
15 minute delay			30 minute delay
Not used (OFF position)			
Six-month PM enabled			Six-month PM disabled

5. Replace control board enclosure.

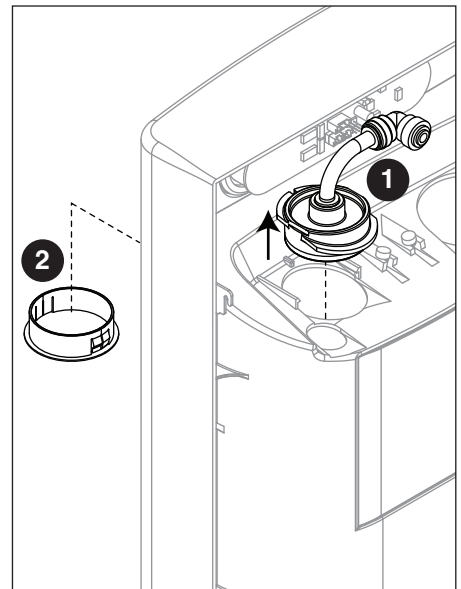
6. Insert screwdriver between water chute and tab (**Fig. 11.1**).
7. Rotate screwdriver clockwise to disengage tab (**Fig. 11.2**) while lifting water chute (**Fig. 11.3**).

Fig. 11



8. When the water chute is clear of the tab, pull upward on water chute and gently pry with screwdriver to remove (**Fig. 12.1**).
9. Install the black insert (**Fig. 12.2**).

Fig. 12



10. Reassemble dispenser, turn on water supply, and restore power to dispenser. Test for leaks and ensure proper dispenser operation.

Follett is a registered trademark of Follett Corporation, registered in US.



801 Church Lane • Easton, PA 18040, USA
Toll free (877) 612-5086 • +1 (610) 252-7301
www.follettice.com

00990960R00
2/12