

Before you begin

After unpacking, inspect the equipment for concealed shipping damage. If damage is found, notify the shipper immediately and contact Follett LLC so that we can help in the filing of a claim, if necessary.

If you experience any problems during the installation, please call Follett Technical Service toll-free at (877) 612-5086 for assistance.

Cleaning and Sanitizing

Follett ice machines and dispensers, and their associated cleaning and sanitizing procedures, are designed for use with potable water sources. The presence, or suspected presence, of infectious agents may call for additional measures, including the replacement of components and more comprehensive disinfection measures. Follett recommends that these cleaning and sanitizing procedures be reviewed with the appropriate infectious agent subject matter experts to assure complete remediation.

Follett recommends sanitizing the pressurized water lines prior to cleaning the ice machine/dispenser by using kit P/N 01089572. Follow the instructions provided with the kit to sanitize the pressurized water lines immediately before cleaning the ice machine/dispenser.

Materials supplied

- 0.2 micron sterilizing-grade water filter capsule
- 1 micron absolute pre-filter media cartridge
- Flexible supply line from pre-filter to 0.2 micron filter quick disconnect
- Quick disconnect for filter out with 3/8" NPT female connection
- Pre-filter media cartridge

Tools/materials required

- Screw driver/cordless drill
- Safety glasses and protective gloves
- Mounting hardware (refer to State and local building code)
- 1/2" NPT fitting, connect to pre-filter inlet
- 1/2" NPT fitting, connect to primary filter outlet

Specifications

- Rated Service Flow: 1.0 GPM
- Capacity: 3000 gallons
- Minimum/Maximum Working Pressure: 30–70 PSI (207–482 kpa)
- Minimum/Maximum Operating Temperature: 45–90 F (7–32 C)

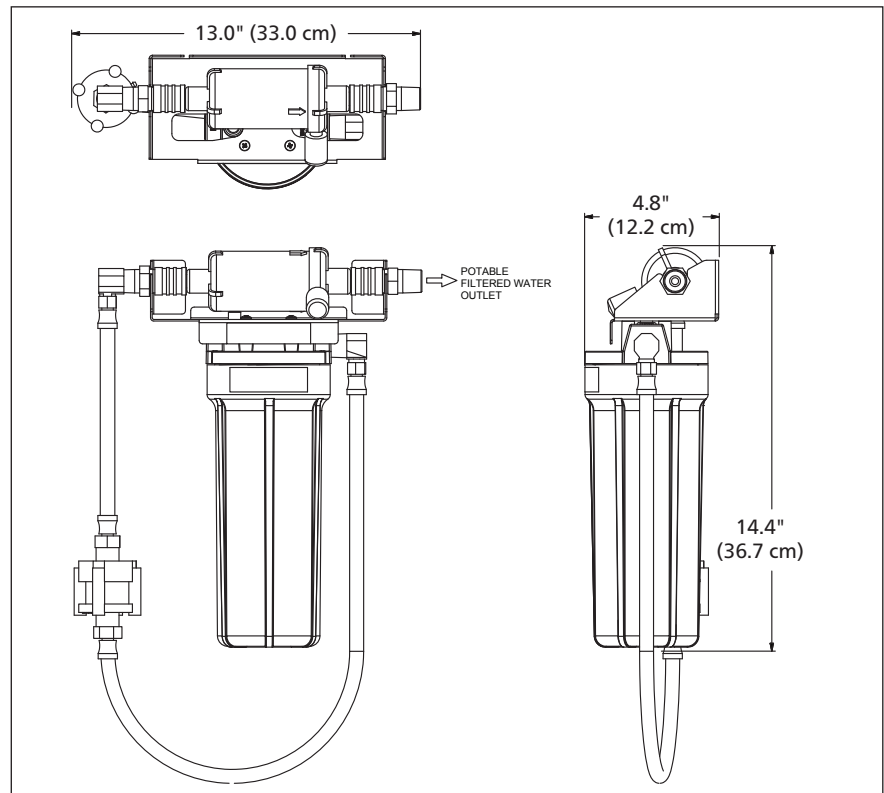
System conforms to NSF/ANSI 42 for the specific performance claims as verified and substantiated by test data.

Dimensions

- Width: 13.0" (33.0 cm)
- Depth: 4.8" (12.2 cm)
- Overall height: 14.4" (36.7 cm)

Note: Allow an additional 3" below to allow for easy filter replacement.

Fig. 1



Performance Data Sheet

While testing was performed under standard laboratory conditions, actual performance may vary. This system has been testing according to NSF/ANSI 42 for reduction of the substances listed below. The concentration of the indicated substances in water entering the sytem was reduced to a concentration less than or equal to the permissible limit for water leaving the system, as specified in NSF/ANSI 42.

Substance	Influence Challenge Concentration	Reduction Requirement	Average Percent Reduction
Particulate, Class 1 particles 0.5 to < 1 μm	At least 10,000 particles/mL	$\geq 85\%$	>99.9%

Replacement Elements: Follett bacterial-retentive replacement filters

Procedure

Note: Incoming water pressure must be 30–70 psi.

1. Install pre-filter (not pictured) into 10" pre-filter bowl.
2. Position bracket (with pre-filter) in desired location (allow 3" bottom clearance for ease of filter replacement).

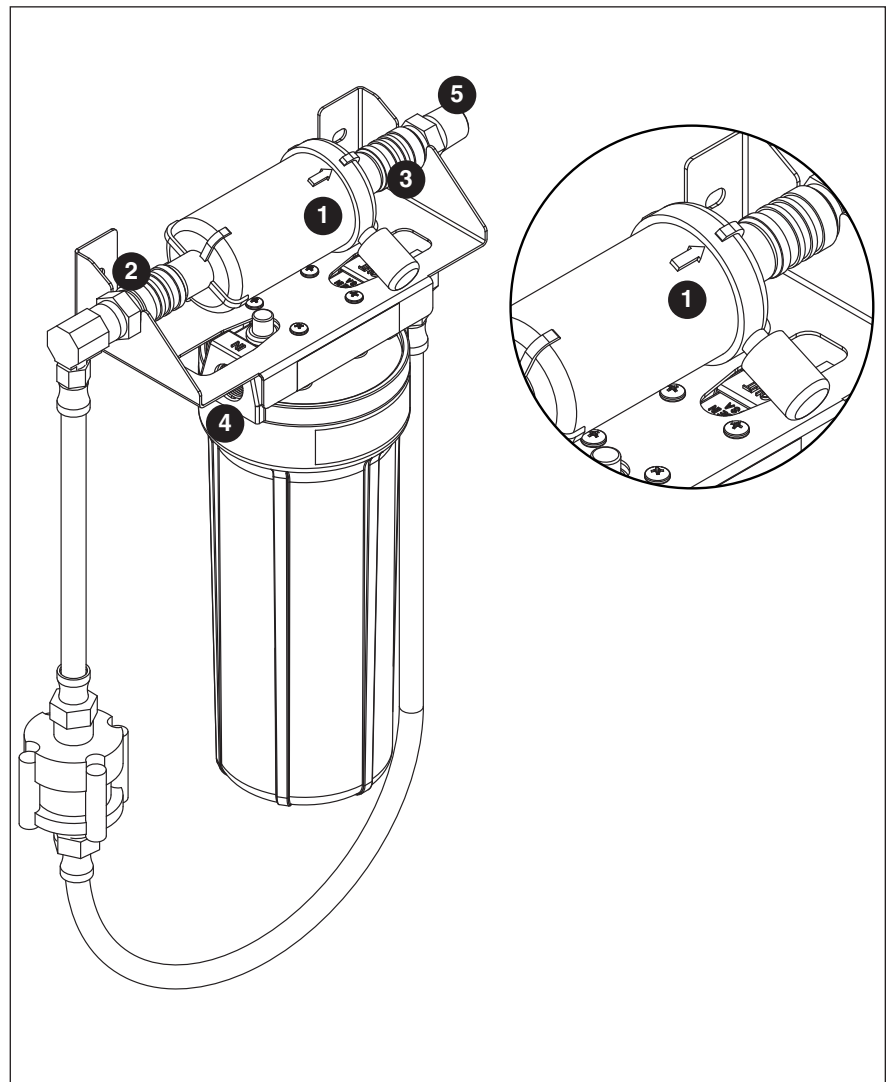
Note: Filter bowl is hand-tightened only.

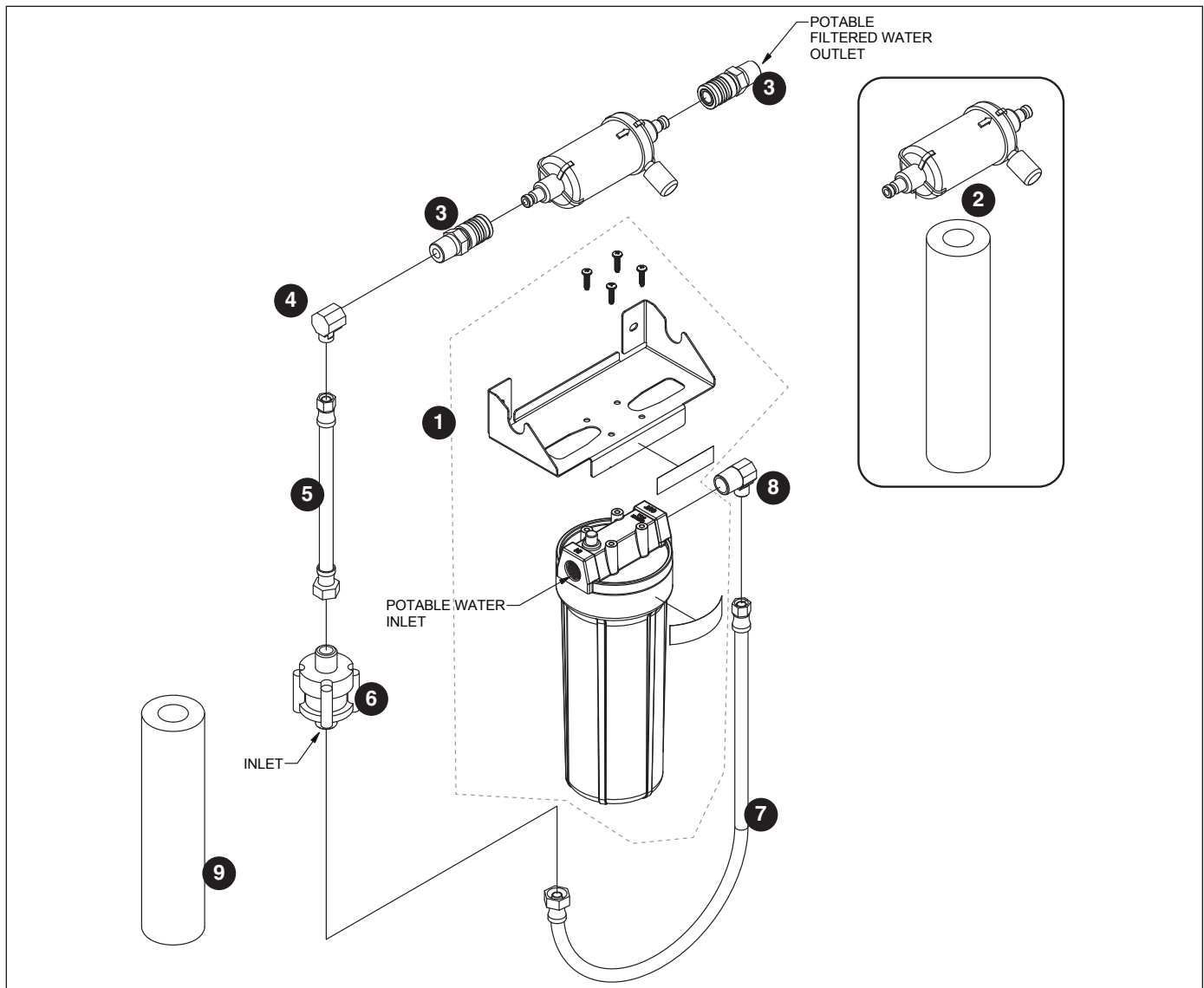
3. Level bracket and mark hole locations.
4. Remove bracket, drill holes, then install bracket using appropriate anchors for your application.
5. Place primary Pall 0.2 micron filter in mounting bracket ensuring arrow (**Fig. 2.1**) is pointing away from the pressure regulator.

6. Attach quick connect coupling with braided hose to inlet (non-arrow) side of the 0.2 micron filter (**Fig. 2.2**).
 - Pull back on coupling lock ring, insert onto filter inlet stub, and release locking ring
 - Give gentle tug to ensure proper connection

7. Connect additional quick connect coupling to outlet side of filter (**Fig. 2.3**).
8. Connect cold water supply to pre-filter inlet using a ½" MPT fitting (**Fig. 2.4**) (not supplied).
9. Connect ½" FPT fitting (not supplied) to quick connect (**Fig. 2.5**).
10. Using approved potable water tubing supply water to IM/Dispenser.
11. Flush system for 5 minutes prior to use.

Fig. 2





Reference	Description	Part #
1	Prefilter housing with bracket	01245364
2	Replacement filter kit (includes pre-filter and Follett bacterial-retentive replacement filter)	01244615
3	Quick connect coupling	01245372
4	Elbow, 3/8" compression x 1/2" NPT female	01245380
5	9" Braided hose	01245398
6	Water pressure regulator	01245406
7	20" braided hose	01245414
8	Elbow, 3/8" compression x 1/2" NPT male	01245422
9	Replacement pre-filter only	01298058
Not shown	Pre filter Bowl O-Ring	01252428

Follett is a registered trademark of Follett LLC, registered in US.



System Certified and Tested by NSF International against NSF/ANSI Standard 42 for the reduction of Class 1 Particulates



801 Church Lane • Easton, PA 18040, USA
 Toll free (877) 612-5086 • +1 (610) 252-7301
 www.follettice.com

01208164R02
 © Follett LLC 5/19