

# Ice Pro™ Drain Pan Accessory

Order parts online  
www.follettice.com

## Installation Instructions

### Materials supplied

Drain pan pre-assembled with 3/4" barb x 3/4" FNPT elbow (part# 00138024)

### Description

Optional drain pan with connection to facilitate plumbing directly to floor drain.

### Procedure

1. Remove existing drain pan (Fig. 1).
2. Replace with optional drain pan with connector (Fig. 2).
3. Plumb drain connector to floor drain.  
**Note:** For short runs; < 6 ft (1.9m) flexible tubing may be used. For long runs; > 6 ft (1.9m) remove elbow and run pvc pipe.

Fig. 1

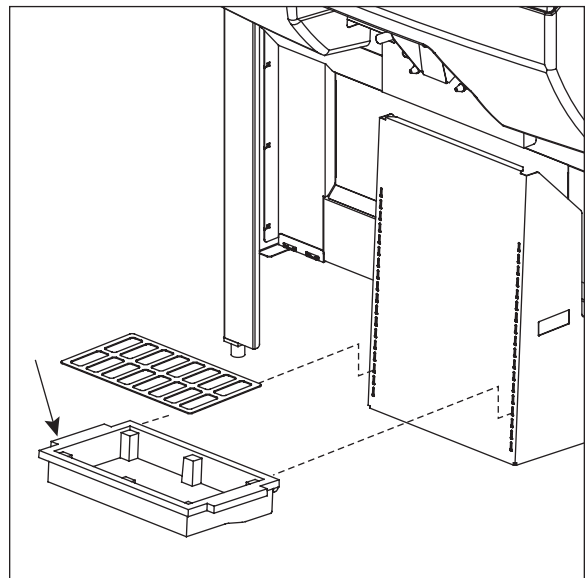


Fig. 2

