

Topic

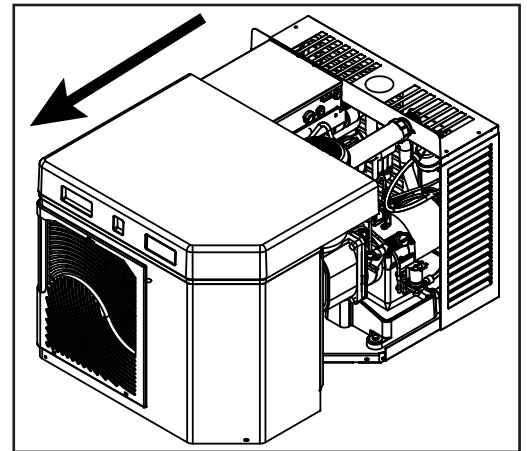
Follett Corporation has recently increased its torque setting for the stream divider on all Horizon 1000, 1400, and 1650 lb. ice machines. Previous models have a lesser torque value that, under certain circumstances, may cause the stream divider to back out. When this happens, the ice can become soft, wet, and smaller resulting in excessive load on the gear motor. This excessive load can cause an over-torque (hi-amps) error. The poor quality ice may also result in jamming in the transport tube, causing the ice machine to shut down on a premature time delay. Another symptom of poor quality ice is dispenser jamming or 'snowy' ice being dispensed.

Correct the torque setting on the stream divider by following the steps listed below.

Action

1. To access the stream divider, remove the front cover (Fig. 1).

Fig. 1



2. The stream divider is located on the main housing behind the gear motor (Fig. 2).

Fig. 2



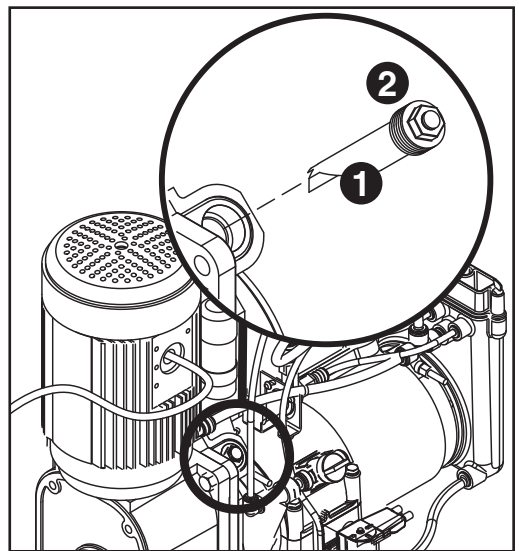
- Using a 5/8" socket (6 point), remove the stream divider (Fig. 3).

Fig. 3



- Lubricate the body of the stream divider with a thin coat of petrol gel (Fig. 4.1).
- Apply blue food grade thread lock to the stream divider's threads only (Fig. 4.2).
- Insert and firmly tighten stream divider to 500 in/lb.

Fig. 4



Follett is a registered trademark of Follett Corporation, registered in US.