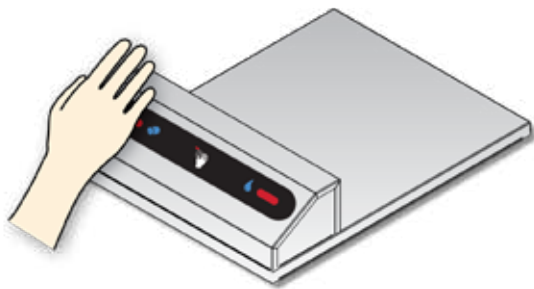
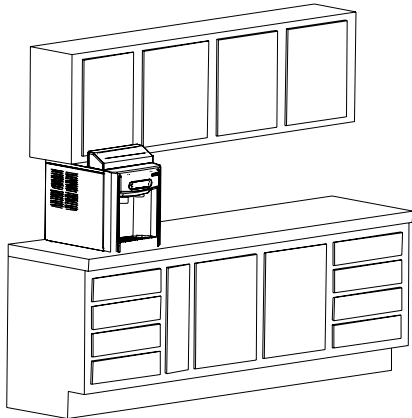


Touchless SensorSAFE™

Dispensing kit for 7 and 15 Series



Dispensing kit includes sensors, sensor cover and lid



Dispensing kit shown on a 7 Series installed under a cabinet

Features

Sanitary dispensing with no hand contact

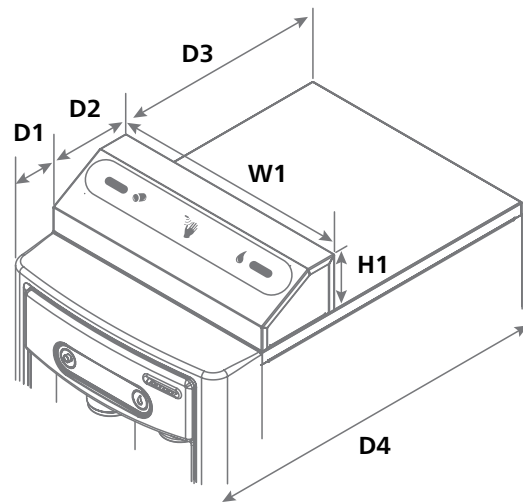
Available as a kit that is user installed on new and existing countertop and freestanding dispensers

Minimal assembly required. Remove and discard existing lid. Connect wire harness from new dispensing kit assembly to control board. Attach dispensing kit lid to dispenser.

Specification

| | |
|--|---|
| W1 Width of sensor cover | 14.62" (37.1 cm) |
| D1 Set back from face of the dispenser | 3.93" (10.00 cm) |
| D2 Depth of sensor cover | 5.07" (12.88 cm) |
| D3 Depth from back of sensor cover to back of the dispenser | 7 Series – 13.01" (33.0 cm) 15 Series – 14.05" (35.7 cm) |
| D4 Depth of dispenser | 7 Series – 22.12" (56.2 cm) 15 Series – 23.50" (59.7 cm) |
| H1 Height of sensor cover | 3.35" (8.51 cm) |
| Approximate shipping weight | 10 lb (5 kg) |

Dimensional drawing



| Model configurations ¹ | | | |
|-----------------------------------|---------|-----------------------------|-----------------|
| Series | Voltage | Configuration | Item number |
| 7 Series | 115 V | countertop and freestanding | 01362599 |
| 15 Series | 115 V | countertop and freestanding | 01362607 |

¹ Note: Compatible with 15 Series units manufactured after October 2016 with serial number after J45503. Not available for undercounter, ice-only or sparkling models.

SENSORSAFE is a trademark of Follett LLC.
FOLLETT is a registered trademark of Follett LLC, registered in the US.
Follett reserves the right to change specifications at any time without obligation. Certifications may vary depending on country of origin.