

FZR2

medical-grade countertop freezer



LED controls with optional keypad

Model configurations			
Controls	Keypad	V/Hz/Ph	Item number
LED	No	115/60/1	FZR2
	Yes	115/60/1	FZR2-KP

Options and accessories

Factory-installed keypad locking system (must be specified at time of order)

Factory-installed slide-out drawer with removable condensate pan (must be specified at time of order)

Wall mount bracket (item# 00969949)

Organizing bins, 6 (item# 00969931)

Extra shelf (item# 00969956)

Temperature surveillance module (includes alarm, 6.00" (15.24 cm) chart recorder, remote contacts) (item# 00168674)

Glycerine, 16 oz (item# 00959296)

Casters (set of 4) (item# 01111947)

Pedestal, 2.00" (5.08 cm) (item# 01184845)

Pedestal, fan-assist, 4.50" (11.43 cm) (item# 01025899)

Pedestal, 12.00" (30.5 cm) (item# 01025881)

NO/NC dry contacts for connection to remote alarm systems (item# 01092022)

Stacking kit (countertop on countertop) (item# 01100742)

Stacking kit (countertop on Performance Plus undercounter) (item# 01100759)

Stacking kit (countertop on REF/FZR (Legacy) undercounter) (item# 01142363)

Features

Superior temperature performance

- heavy-duty compressor and forced air cooling
- quiet compressor and coaxial fans
- non-CFC R404a refrigerant
- automatic defrost

Convenience and security

- exterior LED displays product temperature in user-selectable F or C
- "sleep mode" turns off display
- user-programmable, audible and visual high/low alarms
- lockable controller prevents inadvertent setpoint changes
- adjustable refrigeration set points are accessed through front controls
- high/low temperature log shows highest and lowest product temperature recorded
- cylinder door lock
- back wall port provides entry for third-party probes
- flush door design is compatible with standard automated dispensing system brackets

Durability and serviceability

- stainless steel construction on exterior and interior
- rubberized feet
- two epoxy-coated wire shelves
- heavy-duty edge-mount self-closing hinges
- field-reversible door
- removable back panel for easy service access to compressor, condenser and fans
- dart-type magnetic gasket
- dished floor

Warranty

- 2 year parts and labor on refrigeration system
- 5 year parts on compressor

Specification

Nominal capacity	1.6 cu ft (44 L)
Ventilation clearance with more than 12.00" (30.5 cm) top clearance	2.00" (5.1 cm) side clearance
Ventilation clearance with less than 12.00" (30.5 cm) top clearance	6.00" (15.3 cm) side clearance

Exterior

W1 Width	18.60" (47.2 cm)
Depth at top	24.00" (61.0 cm)
D1 Depth at bottom	20.00" (50.8 cm)
H1 Height	27.93" (70.9 cm)
Door swing	standard with self-closing right hinge, field reversible

Interior

Width	14.60" (37.1 cm)
Depth	11.60" (29.5 cm)
Height	15.72" (39.9 cm)
Storage system	(2) 13.81" x 9.06" (35.08 cm x 23.01 cm), epoxy-coated wire shelves

Door configurations

Door	stainless steel
Door lock	cylinder door lock with 2 keys
Door hinges	edge-mount, self-closing
Gasket	magnetic, dart-style

Electrical

C1 115 V/60/1 electrical	4.1 full load amps, NEMA 5-15P 90° hospital-grade plug low profile, SJT, 18 AWG, 8' (2.4 m) cord
---------------------------------	--

Controls

Temperature display	standard 7 segment LED, default set in C, user-selectable F or C
Display sleep function	button turns off display, press again to turn back on
Factory preset	-29 C
Product simulation bottle	(1) 60 ml
Probes	3 probes : P1 controls refrigeration system; P2 controls defrost; P3 bottle
Programmable operating range	-28 to -18 C (-20 to 0 F)

Alarming

High and low product temperature alarm	audible and visual, user programmable set points in F or C
Probe error alarm	audible and visual — product temperature probes, refrigeration and defrost
Alarm delay	user-programmable 0 to 60 minute (default 1 minute)
Alarm mute	user selectable
Alarm volume	0 -10 adjustable

System performance

Refrigerant and charge	R404a refrigerant, 9.2 oz charge
Automatic defrost	electric, timed, adjustable
Energy consumption	5.4 kWh/day
Max heat rejection	875 BTU/hr

Shipping

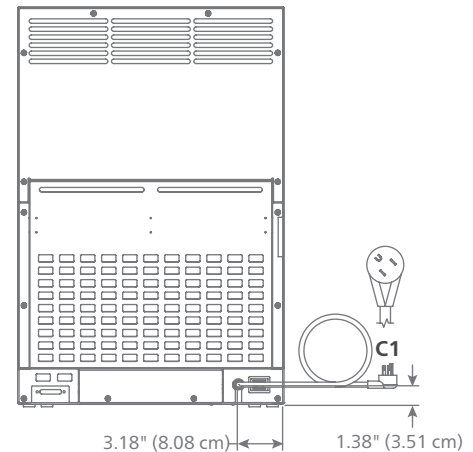
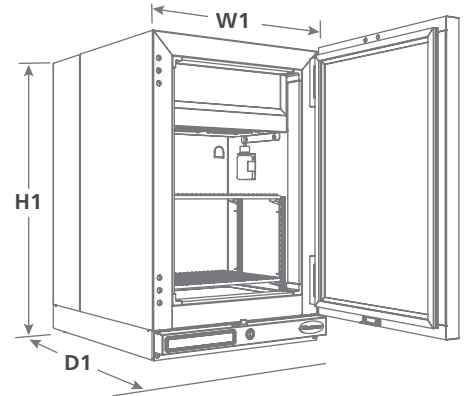
Approximate net weight	90 lb (41 kg)
Approximate ship weight	126 lb (57 kg)

NOTE: For indoor use only

FZR2 countertop freezer

SHORT FORM SPECIFICATION: Freezer with solid stainless steel door fits on standard 24.00" (61.0 cm) deep countertop with 1.6 cu ft (44 L) of nominal capacity. Includes (2) epoxy-coated wire shelves, adjustable in 1/2" increments. Environmentally responsible R404a forced-air cooled refrigeration system. Bottom-mounted controls display product temperature in user selectable C or F. Integral high and low temperature alarming. Storage area insulated with CARB compliant non-HFC foam. 8' (2.4 m) power cord with NEMA 5-15p 90 degree hospital-grade plug. NSF, UL and cUL listed.

Dimensional drawing



FOLLETT HEALTHCARE is a trademark of Follett Products, LLC.
FOLLETT is a registered trademark of Follett Products, LLC, registered in the US.
Follett reserves the right to change specifications at any time without obligation. Certifications may vary depending on country of origin.