



TEREF6 solid-state

medical-grade undercounter refrigerator

Features

Solid-state high performance heat pump

- solid-state heat pump based on thermoelectric cooling technology
- temperature uniformity that fluctuates with stability at just ± 1 C
- minimal sound or vibration
- environmentally friendly, CO2 refrigerant
- few moving parts for lower maintenance

Convenience and security

- fits below ADA countertops without casters
- refrigeration system settings accessed through 1.4" (36 mm) color LCD controls
- exterior controls available in user-programmable C or F
- user-programmable audible and visual high/low alarms
- mechanical lock
- three coated wire shelves standard with adjustable pilaster

Durability and serviceability

- powder coated steel exterior, anodized aluminum interior
- front ventilation above door handle (no top, back or side clearance required)
- right-hinged field-reversible door with integral handle and magnetic gasket door closure provides ease-of-use

Warranty

- 2 year parts and labor
- 5 year parts on heat pump

Model configurations	
Door configuration	Item number
solid	TEREF6-00
glass	TEREF6-GD

Options and accessories

- Slide out basket (1) (item# 01332170)
- Leveling legs (set of 4) (item# 01332089)
- Casters (set of 4) (item# 01332188)
- Anti-tip/Seismic bracket kit (item# 01332196)

Specification

Nominal capacity	5.5 cu ft (156 L)
Ventilation clearance	0.0" for top, side and back clearance
Exterior	
W1 Width	23.60" (59.9 cm)
D1 Depth with façade	27.00" (68.6 cm)
H1 Height	32.00" (81.3 cm)
Door swing	23.60" (59.9 cm) from face of cabinet
Interior	
Width	19.76" (50.2 cm)
Depth	20.87" (53.0 cm)
Height	22.95" (58.3 cm)
Storage system	(3) 17.52" x 19.09" (44.5 cm x 48.5 cm) powder coated steel shelves

Door configurations

Door	solid foamed door 23.62"W x 27.01"H x 2.01"D (60.0 cm x 68.6 cm x 5.1 cm)
Optional glass door	triple pane, low E coated, vacuum insulated glass – dimensions 11.40" x 13.54" (29.0 cm x 34.4 cm)
Door lock	mechanical keyed lock
Door handle	at top of façade
Door hinges	edge-mount, self-closing, right or left
Gasket	magnetic

Electrical

C1 115 V/60/1 electrical	3.9 run load amps, 5.9' (1.8 m) cord with NEMA 5-15P plug
---------------------------------	---

Controls

Temperature display	1.4" (36 mm) Color LCD
Battery back-up	type CR123A or IEC16340
C2 3rd party probe access	rear access port
Factory preset	5.0 C (41 F)
Programmable operating range	2 to 9 C (36 to 48 F)

System performance

Refrigerant and charge	CO2, 0.6 oz (17 Grams)
Energy consumption	1.4 kWh/day
Nominal heat rejection ¹	299 BTU/hr (88 W)
Max heat rejection	1194 BTU/hr (350 W)

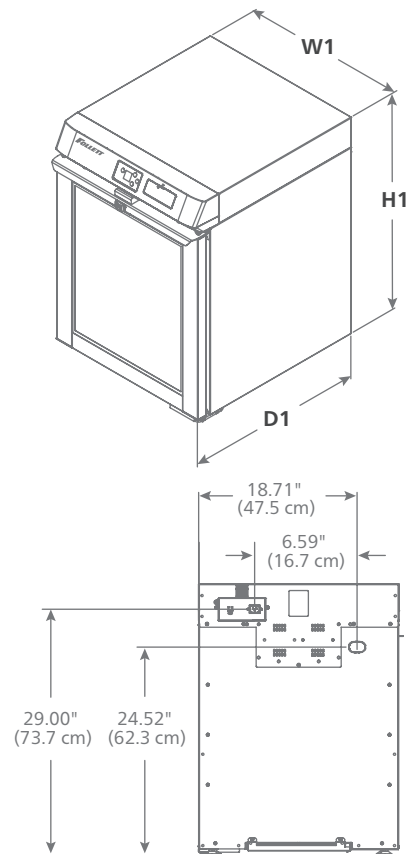
Shipping

Approximate net weight	132 lb (60 kg)
Approximate ship weight	182 lb (83 kg)

NOTE: For indoor use only

SHORT FORM SPECIFICATION: Solid-state undercounter refrigerator with choice of solid or glass door fits under 34.00" (86.4 cm) ADA height counters with 5.5 cubic feet (156 L) of nominal capacity. Includes (3) powder coated wire shelves, adjustable in 0.5" (12.7 mm) increments. Environmentally responsible CO2 forced-air cooled refrigeration system. Center-mounted controls display air temperature in user-selectable C or F. Integral high and low temperature alarming. Storage area insulated with foam. 5.9' (1.8 m) power cord with NEMA 5-15P plug. TÜV SÜD listed.

Dimensional drawing



¹ Nominal heat rejection means heat rejection from a refrigerator in a 75 F (24 C) ambient with proper ventilation, an empty cabinet, default settings, default defrost schedules/durations, and nominal supply 115 VAC.

FOLLETT HEALTHCARE is a trademark of Follett Products LLC.

PHONONIC is a trademark of Phononic, Inc.

FOLLETT is a registered trademark of Follett Products LLC, registered in the US.

Follett reserves the right to change specifications at any time without obligation. Certifications may vary depending on country of origin.

TEREF6 undercounter refrigerator