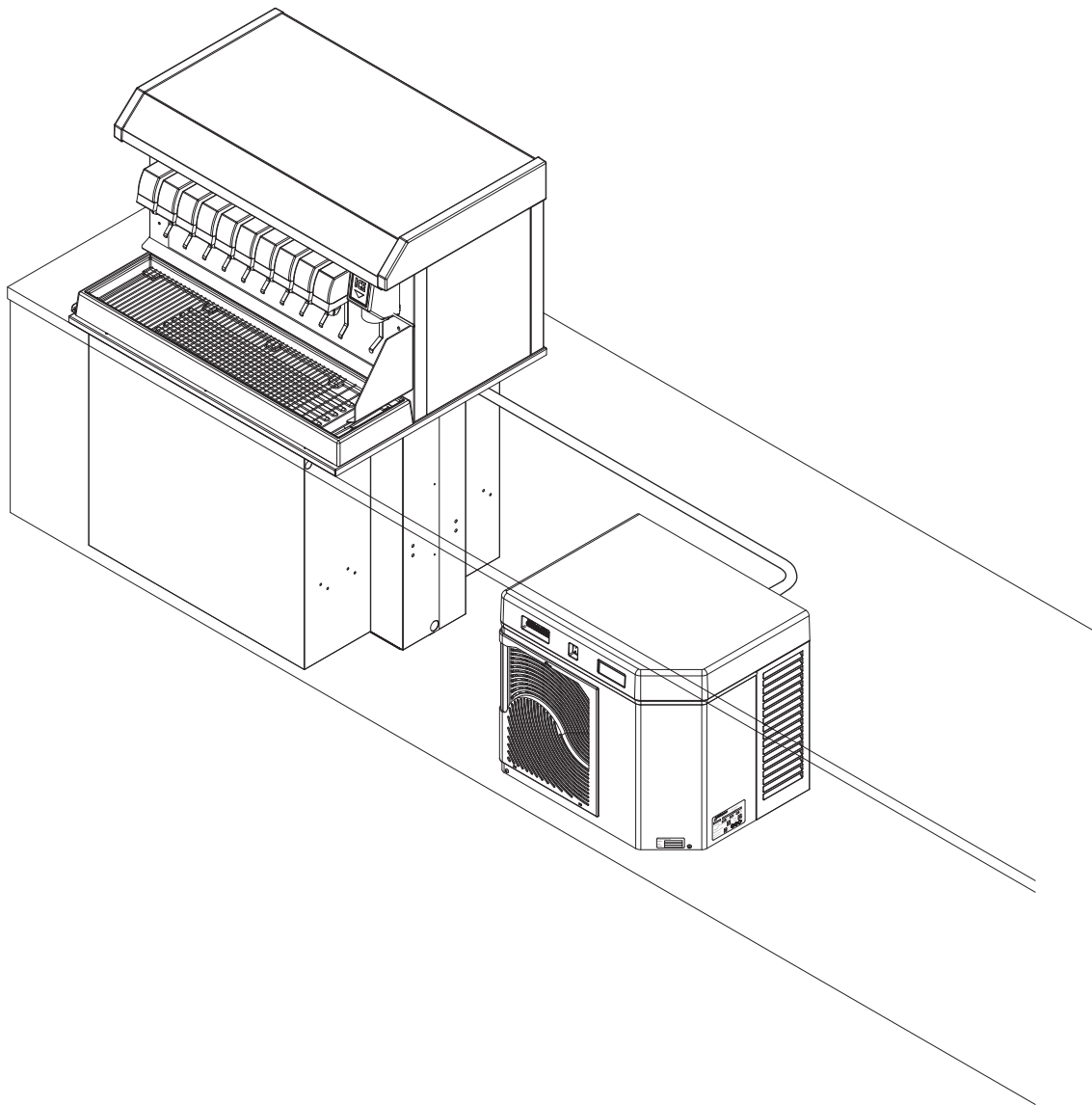


Horizon™ Ice Machine Models with RIDE™ Technology Installation Instructions for Vision™

HCC/HMC/HCE/HME1000AVS, HCC/HMC/HCE/HME1400AVS,
HCC/HMC/HCE/HME1000WVS, HCC/HMC/HCE/HME1400WVS,
(See model number configurator on page 2 for details.)

Order parts online
www.follettice.com




Chewblet® Ice Machine Model Number Configurations

HC
C
1400
A
V
S


Icemaker	Voltage	Series	Condenser	Application	Configuration
MC Maestro™ Chewblet® (400 Series)	C 208-230/60/1 (icemaking head) <i>Self-contained only.</i>	400 up to 454 lbs	A Air-cooled, self-contained	V Vision™	S RIDE™
	D 115/60/1 (icemaking head) <i>Self-contained and remote. If remote unit, high side is 208-230/60/1.</i>	(206kg)	W Water-cooled, self-contained	H Harmony™	(RIDE remote ice delivery equipment)
HC Horizon Chewblet (1000, 1400, 1650 Series)	E 230/50/1 (icemaking head) <i>Self-contained only.</i>	1000 up to 1036 lbs (471kg)	R Air-cooled, remote condensing unit	B Ice storage bin	
	F 115/60/1 (icemaking head) <i>Remote only. High side is 208-230/60/3.</i>	1400 up to 1450 lbs (658kg)	N Air-cooled, no condensing unit for connection to parallel rack system	J Drop-in	T Top-mount
HM Horizon Micro Chewblet		1650 up to 1580 lbs (717kg)		M Ice Manager diverter valve system	

Read and complete the following 8 installation steps


1 **Unpack** _____




2 **Site preparation** _____




3 **Dispenser preparation** _____




4 **Louvered docking assembly** _____




5 **Ice transport tube** _____




6 **External connection** _____



7 **Internal connection** _____



8 **Front cover** _____



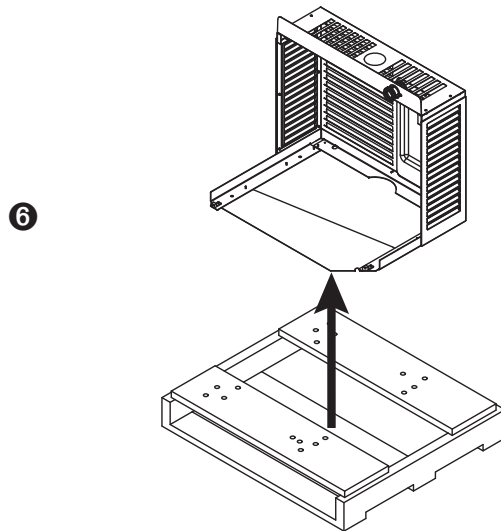
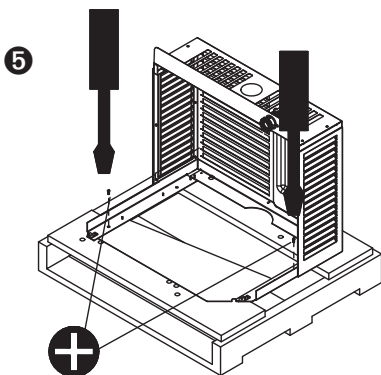
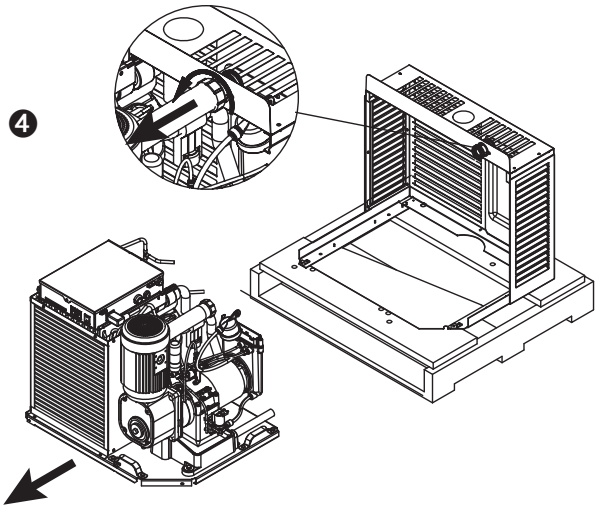
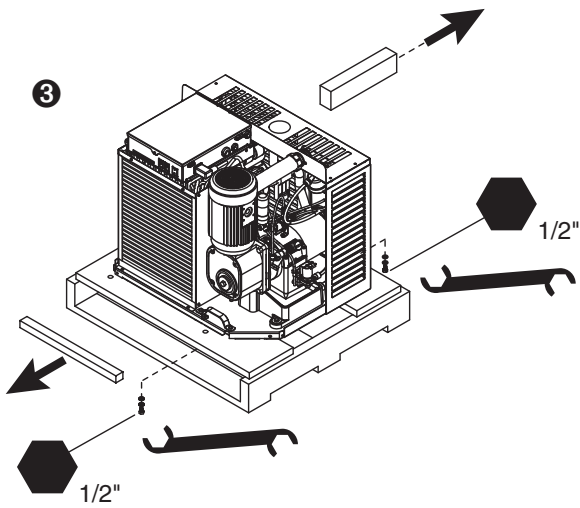
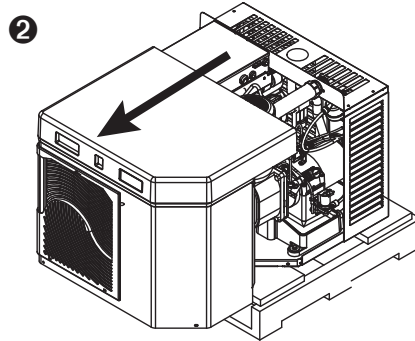
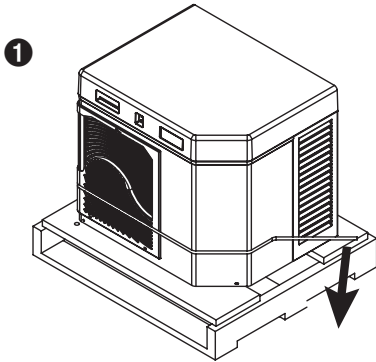
Carefully unpack and inspect the contents of your Follett ice machine.

Unpack

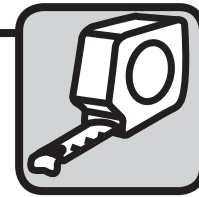
1



1.1 Unpack ice machine

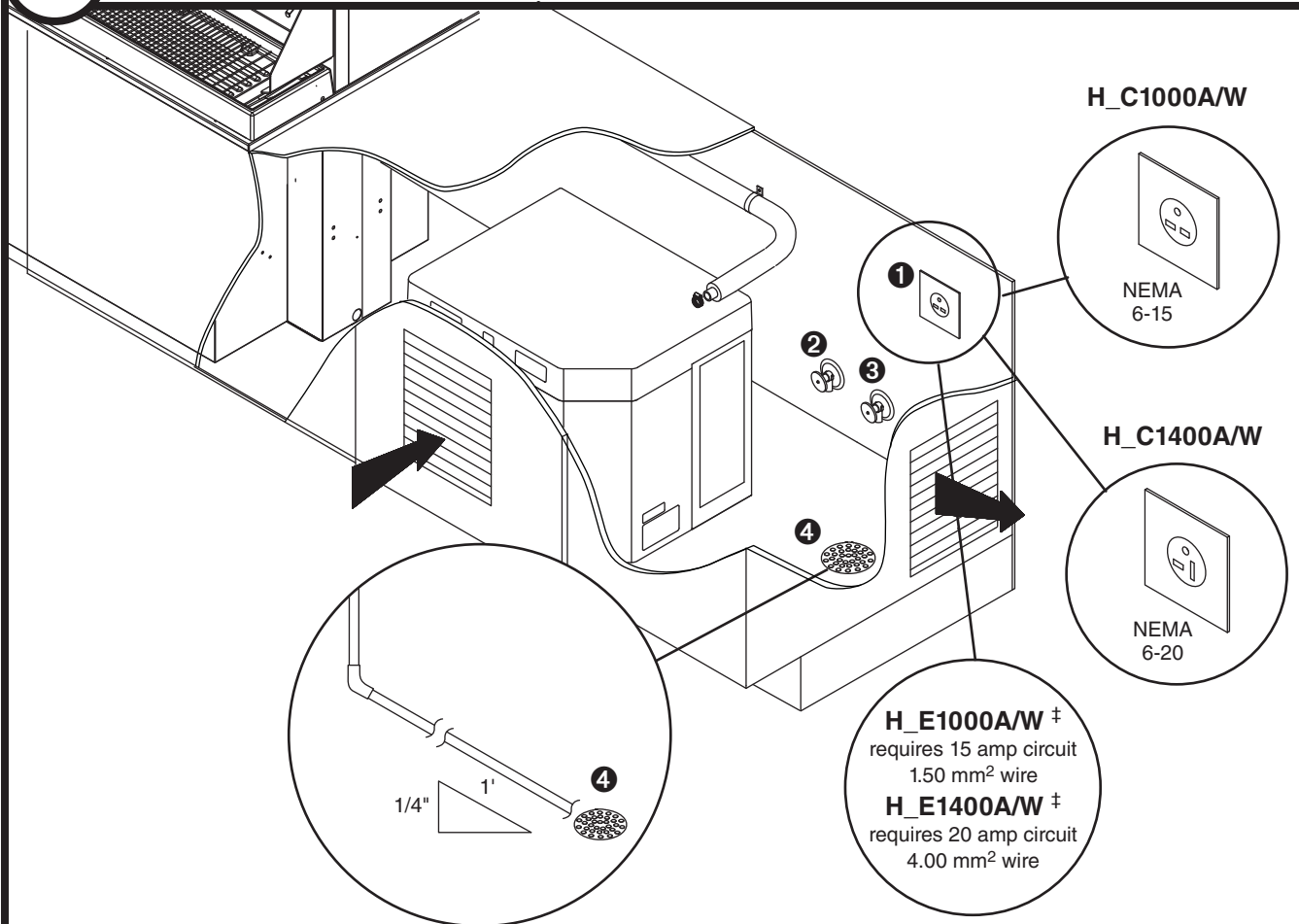


Prepare the installation site.



Provide drainage, water supply and electrical power to within 6 feet (2m) of ice machine in accordance with local and national codes. Outdoor installation is not recommended and will void warranty.

2.1 Installation site requirements



Electrical ①

- H_C1000(A/W)VS 208-230/60/1-15 amps
- H_E1000(A/W)VS 230/50/1-15 amps[‡]
(H_E1000A/W Requires 15 amp circuit 1.50 mm² wire)
- H_C1400(A/W)VS 208-230/60/1-20 amps
- H_E1400(A/W)VS 230/50/1-20 amps[‡]
(H_E1400A/W Requires 20 amp circuit 4.00 mm² wire)

‡ Plug must be provided by end user & must conform to standard EN 60 335-2-24 of the end destination.

Potable water supply ②

- 10-70 psi (69-483kpa)
- 45 to 90 F (7 to 32 C)
- Follett recommends the use of an in-line water filtration system (item# 00130286)

Condenser water supply for water-cooled systems ③

- 10 psi min.; 150 psi max. (69kpa min.; 1034kpa max.)
- 45 to 90 F (7 to 32 C)
- 1.5 gallons per minute (5.68 liters per minute)

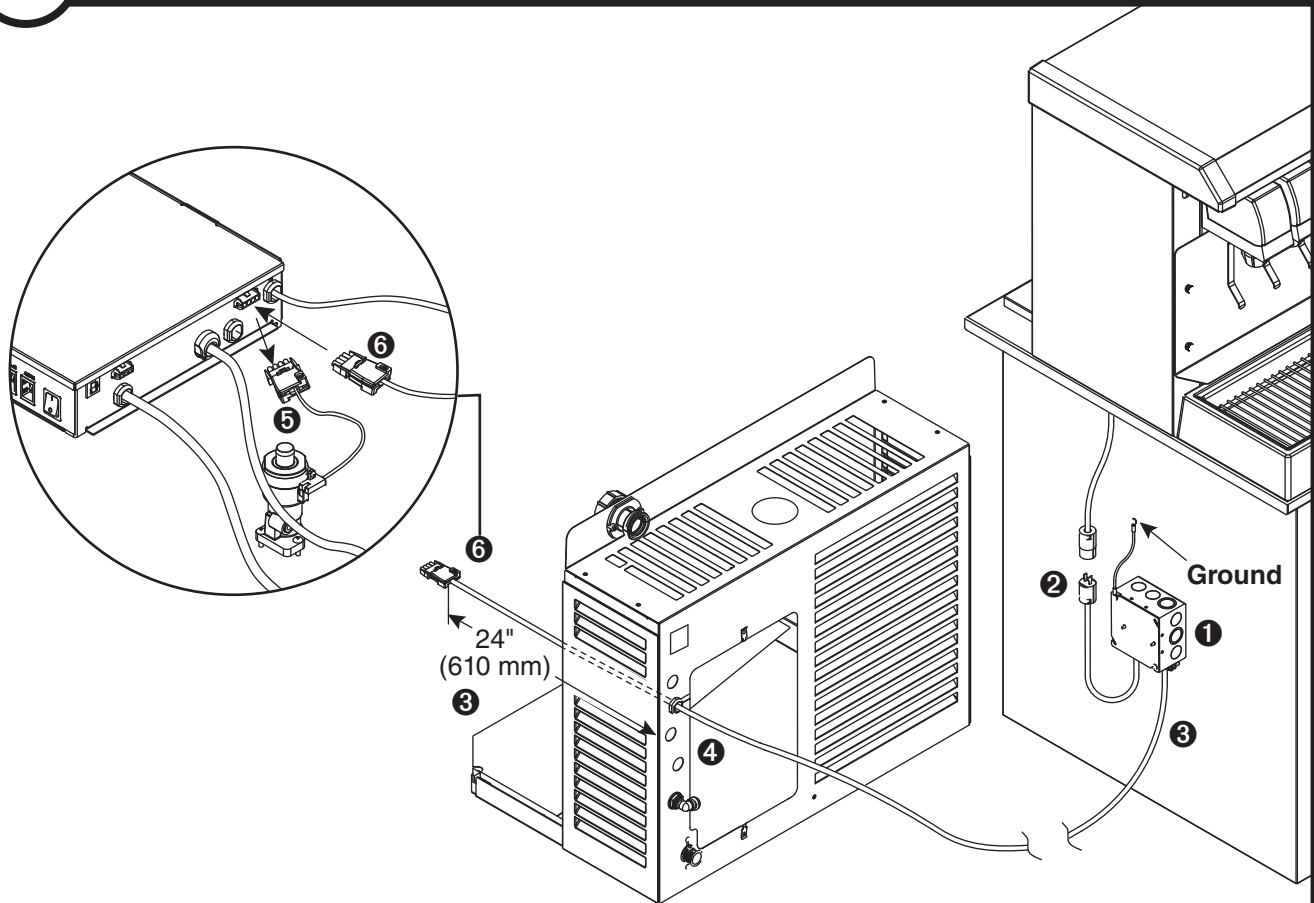
Drain ④

- The drain line from the ice machine must have at least 1/4" per foot pitch (6,4mm/0,3m)

Prepare the dispenser.



3.1 Bin Signal Installation



- Mount the electrical box to the side of the Vision dispenser ① to establish a ground connection. Note: If a 4 x 4 box is mounted to a non-grounded surface, connect ground wire at an appropriate ground.
- Connect the bin signal plug on the electrical box to the bin signal cord on the bin ②
- Insert 24" (609,6mm) of the long bin signal cable ③ into the hole in the back of the louvered docking station ④ and secure in place with strain relief provided.
- After sliding the ice machine module into the louvered docking station, disconnect the shuttle plug ⑤ from the ice machine control box.
- Complete normal installation procedure for the ice machine using the installation manual that shipped with the ice machine.
- Connect the bin signal plug ⑥ into the ice machine control box.

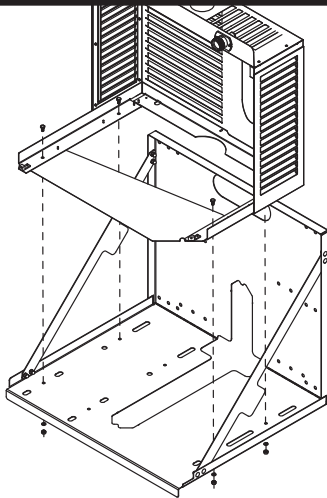
Install the louvered docking assembly.

WARNING

- Docking station must be secured in accordance with these instructions to ensure ice machine stability.
- Ventilation openings in the louvered docking station should be clear of obstruction

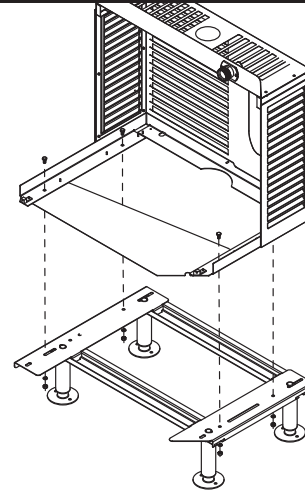


Wall bracket accessory



- Mount louvered docking assembly to wall bracket accessory

Machine stand accessory



- Mount louvered docking assembly to machine stand accessory

4.1 Undercounter installation requirements Horizon 1000 & 1400 series

DOCKING STATION: Horizon 1000 & 1400 water- and air-cooled models

(See detail drawing on page 9)

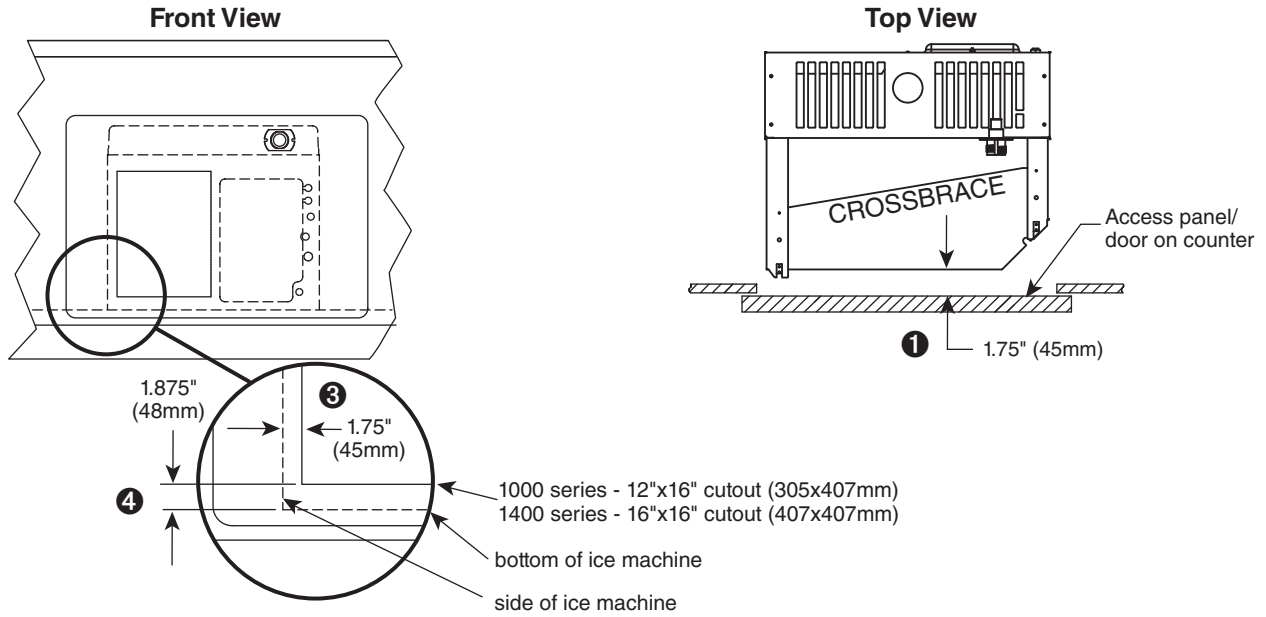
- Position and screw louvered docking assembly to the bottom of counter inside of access panel/door 1.75" (45mm) from the front edge of the cross brace ❶
- The mounting surface for the louvered docking assembly must be solid. Do not mount directly onto runners or channels.
- There must be no lip or edge that would hinder the ice machine from sliding in or out of the louvered docking station ❷

INTAKE AND EXHAUST GRILLE PLACEMENT: Horizon 1000 & 1400 air-cooled models only

(See detail drawing on page 9)

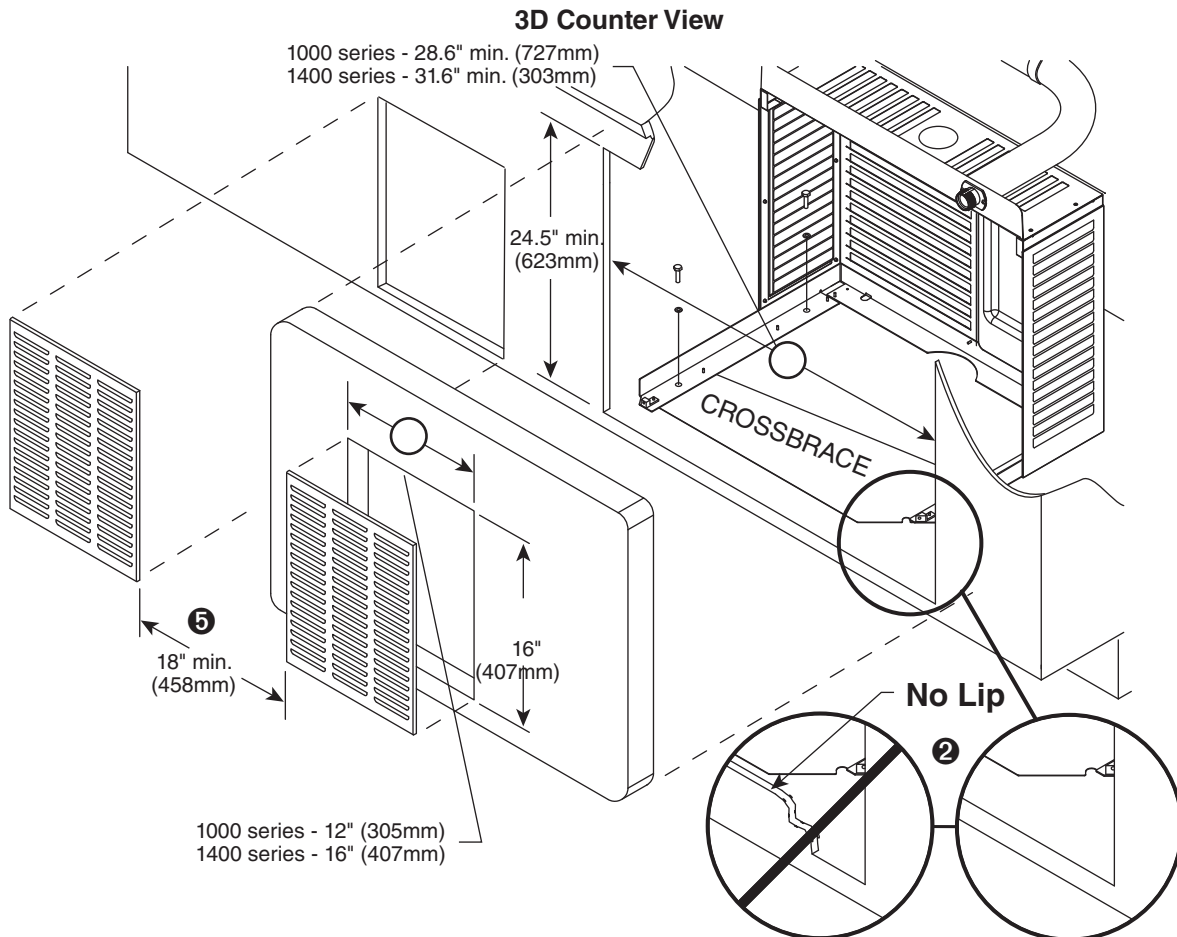
- Position the intake grille cut out in the access panel/door
Note: Ice machine must be aligned with cut out and inside of access panel to provide a tight seal and prevent recirculation of hot exhaust air.
- Left edge of cutout should be 1.75" (45mm) from the left side of the ice machine ❸
- Bottom edge of cutout should be 1.875" (48mm) from the bottom of the ice machine ❹
- Position supplied exhaust grille at least 18" (458mm) away from intake grille ❺. Where possible, install exhaust grille to the rear or side of the base cabinet.
- If not using supplied grille, air circulation requirements below must be met:
1000 series: 150 sq. in (967 sq. cm) intake air, 150 sq. in (967 sq. cm) exhaust air
1400 series: 175 sq. in (1129 sq. cm) intake air, 175 sq. in (1129 sq. cm) exhaust air

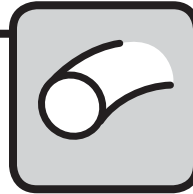
Undercounter installation detail – Horizon 1000 & 1400 series



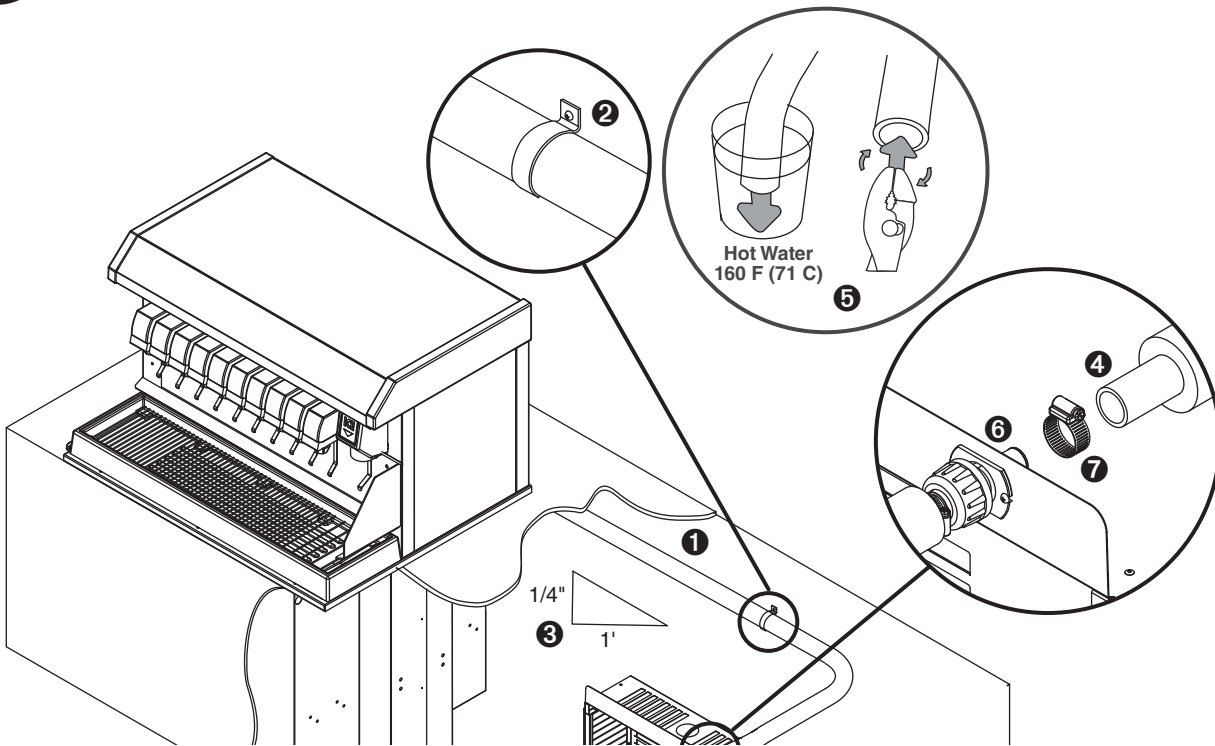
⚠ CAUTION

- Keep ventilation openings in the appliance enclosure clear of obstruction.
- To ensure proper ventilation (if not using supplied grille) carefully review air circulation specifications on facing page (4.1)





5.1 Ice transport tube installation.



Ice transport tube tips

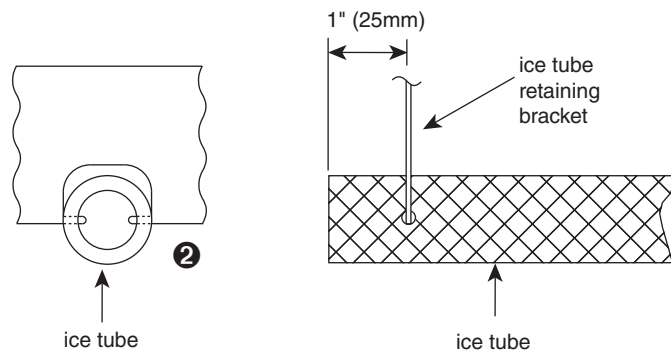
- Insulate entire length of ice transport tube ①
- Secure ice transport tube ② as needed to prevent dips and traps from forming. For long tube runs see guide on page 19.
- Pitch tube at least 1/4" per foot (6,4mm/.3m) ③
- Ice transport tube must drain towards ice machine

Ice transport tube to Ice machine

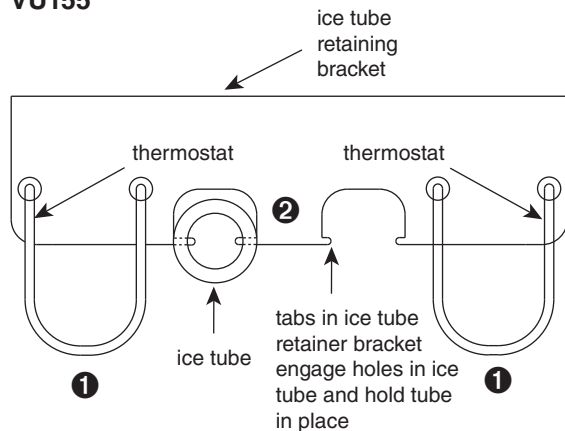
- Be sure tube ends are square ④
- Heat end of transport tube in cup of 160 F (71 C) hot water to soften and spread with pliers ⑤ before making connection to ease assembly
- Push ice transport tube onto ice machine nipple ⑥
- Install hose clamp ⑦

5.2 Dispenser ice transport tube installation

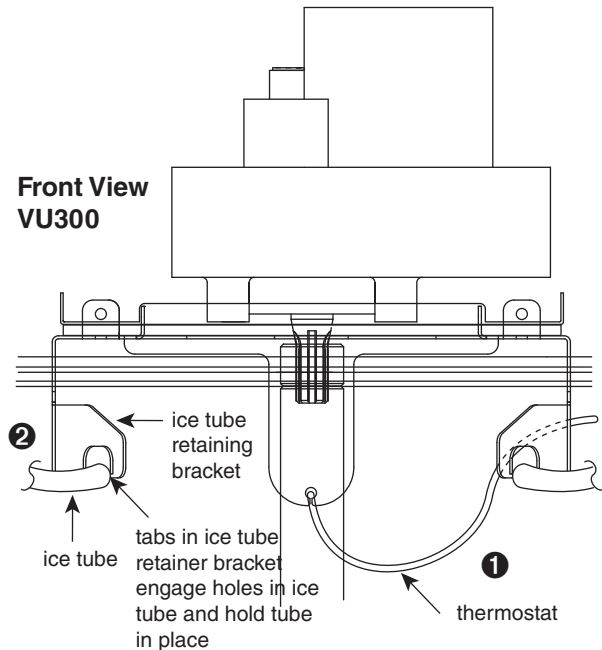
Ice tube retainer bracket



Front View VU155

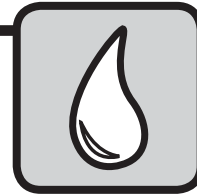


Front View VU300

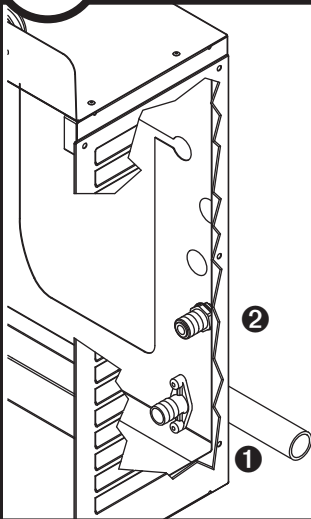


- Check to make sure bin signal on ice machine control board is switched to 24 volt connection
- Push one end of ice transport tube(s) through hole(s) provided in side of dispenser
- Route tube into ice tube bracket inside dispenser and engage bracket tabs in holes located in end of ice transport tube(s) ①
- Verify bin thermostat capillary tube is mounted correctly ②

Connect utilities to louvered docking assembly.

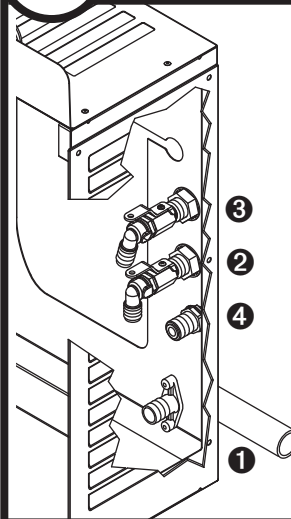


6.1 Air-cooled ice machines only



- Remove access panel if necessary
- Install drain line **1**.
The rigid drain line from the ice machine must have at least 1/4" per foot pitch (6,4mm/0,3m).
- Install ice machine potable water supply **2**
- Replace access panel

6.2 Water-cooled ice machines only

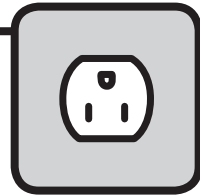


- Remove access panel if necessary
- Install drain line **1**.
The rigid drain line from the ice machine must have at least 1/4" per foot pitch.
- Connect cooling water supply **2** and return **3**
- Install ice machine potable water supply **4**
- Replace access panel

Connect louvered docking assembly to ice machine.

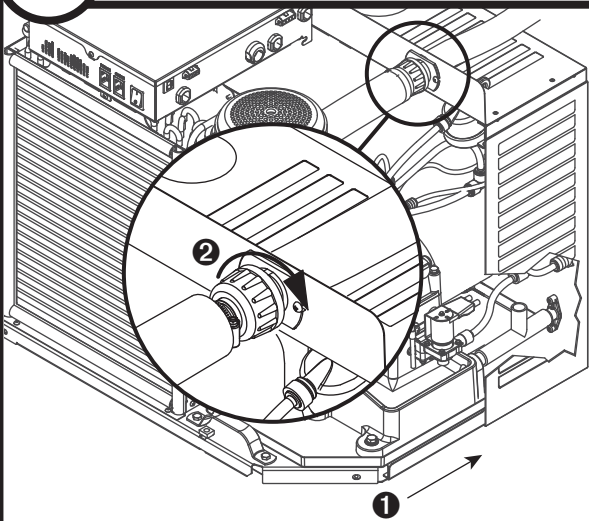
CAUTION

- Plug must be accessible after final installation.
- H_E1400A/W 230/50/1 requires a 20 amp circuit (4.00 mm² wire)



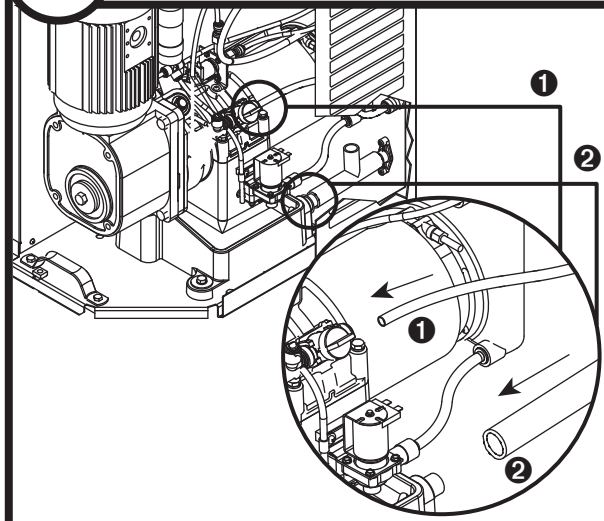
Air-cooled ice machines – follow steps 7.1 through 7.4.

7.1 Ice transport tube



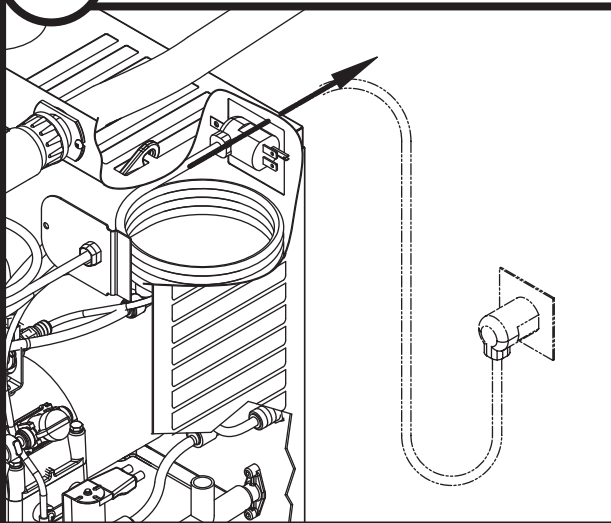
- Slide ice machine into louvered docking assembly **1**
- Insert ice transport tube all the way into coupling and tighten nut firmly **2**

7.2 Potable water and drain lines



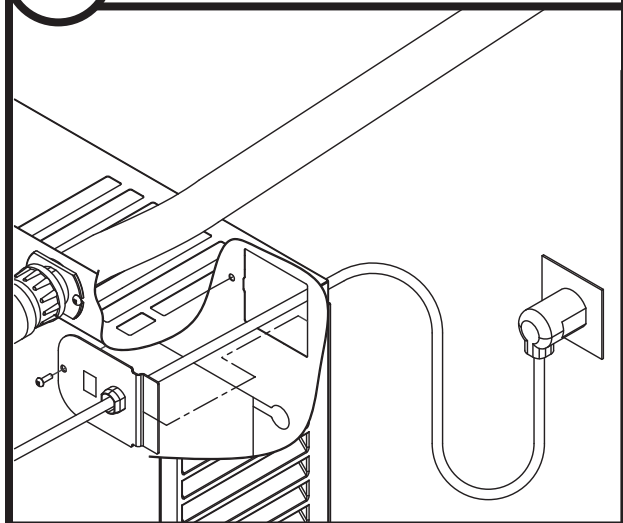
- Insert potable water line into valve **1**
- Push drain line over hose barb on back of evaporator mount **2**

7.3 Power cord



- Remove twist tie
- Carefully pass plug thru opening and plug into wall outlet

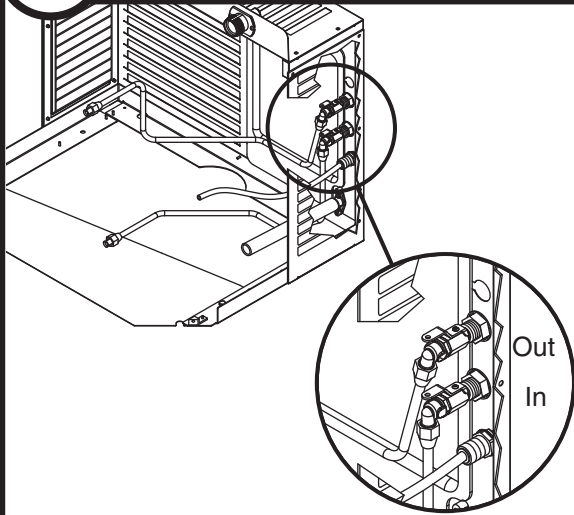
7.4 Power cord



- Position plate into opening and secure with supplied screw

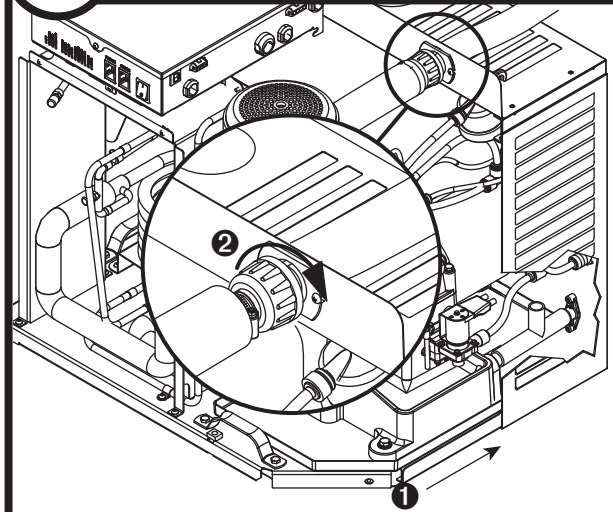
Water-cooled ice machines – follow steps 7.5 through 7.10.

7.5 Cooling lines



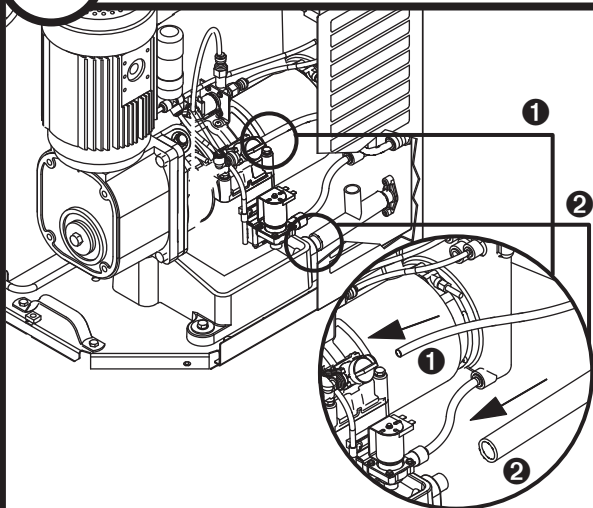
- Install ice machine cooling water lines to louvered docking assembly

7.6 Ice transport tube



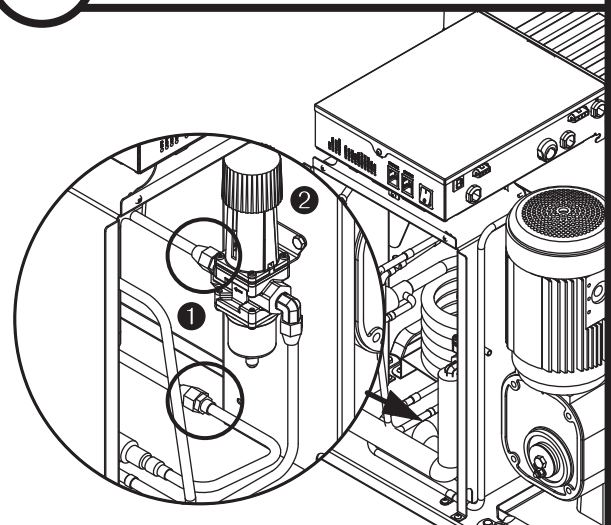
- Slide ice machine into louvered docking assembly ①
- Insert ice transport tube into coupling and tighten nut firmly ②

7.7 Potable water and drain lines



- Insert potable water line into valve ①
- Push drain line over hose barb on back of evaporator mount ②

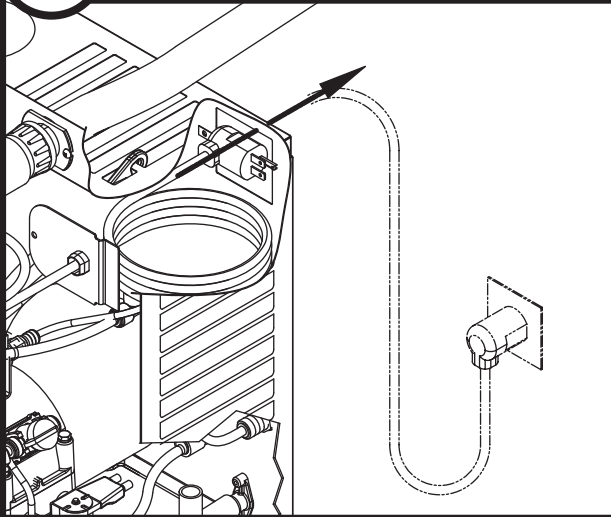
7.8 Cooling lines and power



- Connect cooling water lines to ice machine ①
- Water valve is set at the factory. DO NOT remove seal or adjust water valve ②

7.9

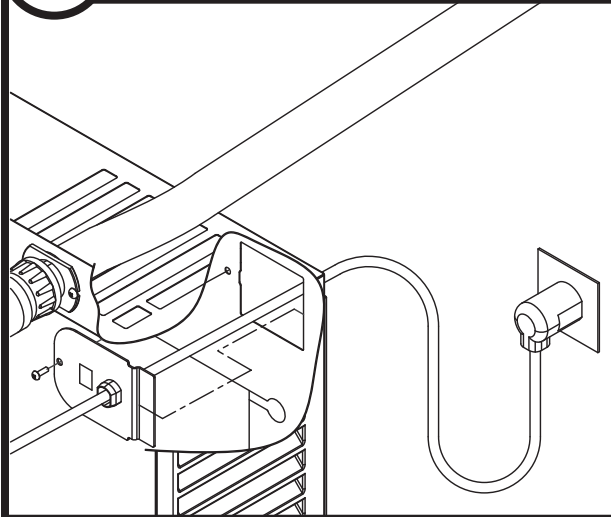
Power cord



- Remove twist tie
- Carefully pass plug thru opening and plug into wall outlet

7.10

Power cord



- Position plate into opening and secure with supplied screw

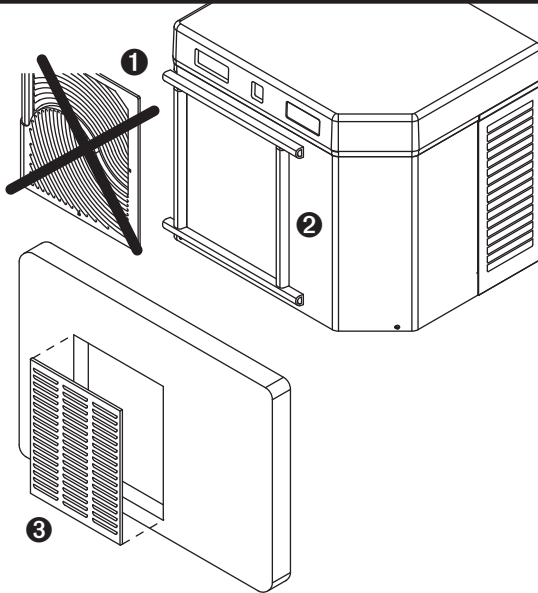
Install front cover to ice machine.

Front cover

8



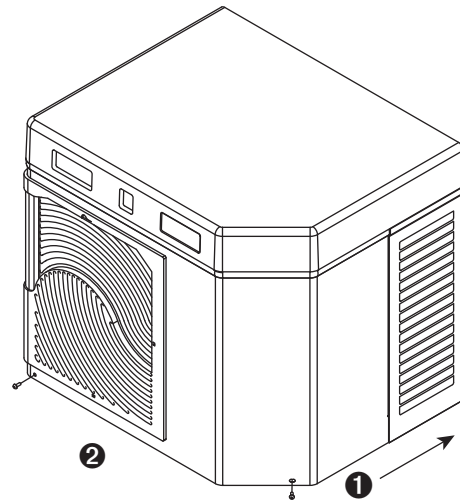
Front cover installation – undercounter



CAUTION

- Keep ventilation openings in the appliance enclosure clear of obstruction.
- To ensure proper ventilation (if not using supplied grille) carefully review air circulation specifications in section 4.1
- Remove and discard plastic grille ①
- Apply supplied gasket material around entire opening on skin to prevent air recirculation ②
- Attach supplied metal grille to opening in counter door (see section 4.1) ③

Normal front cover installation



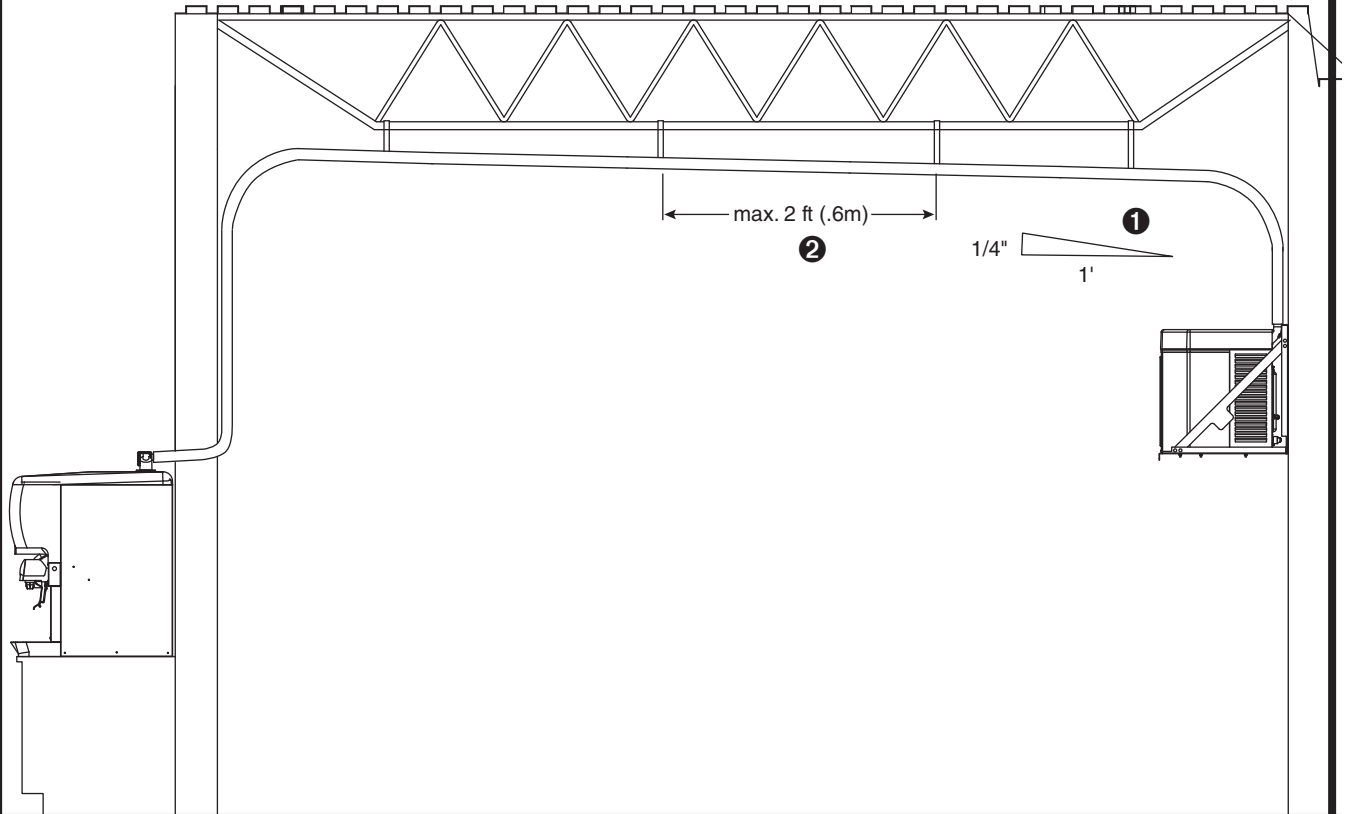
- Slide ice machine cover over machine ensuring that tabs on back of cover slip under louvers on back of louvered docking assembly ①
- Insert and tighten two screws through cover and into louvered docking assembly ②

NOTICE

Ice machine MUST be sanitized prior to operation!

Consult Operation and Service Manual provided with ice machine for sanitizing instructions.

Long tube run recommendations



- Pitch ice transport tube to allow melt water to drain towards ice machine ①
- Secure insulated ice transport tube at least every 2 ft (.6m) to prevent dips or traps ②

Horizon, Maestro, Harmony, Ice Manager, SafeCLEAN, Sani-Sponge, RIDE and Vision are trademarks of Follett Corporation.
Chewblet is a registered trademark of Follett Corporation, registered in the US.



801 Church Lane • Easton, PA 18040, USA
Toll free (877) 612-5086 • +1 (610) 252-7301
www.follettice.com



00159921R06
3/12