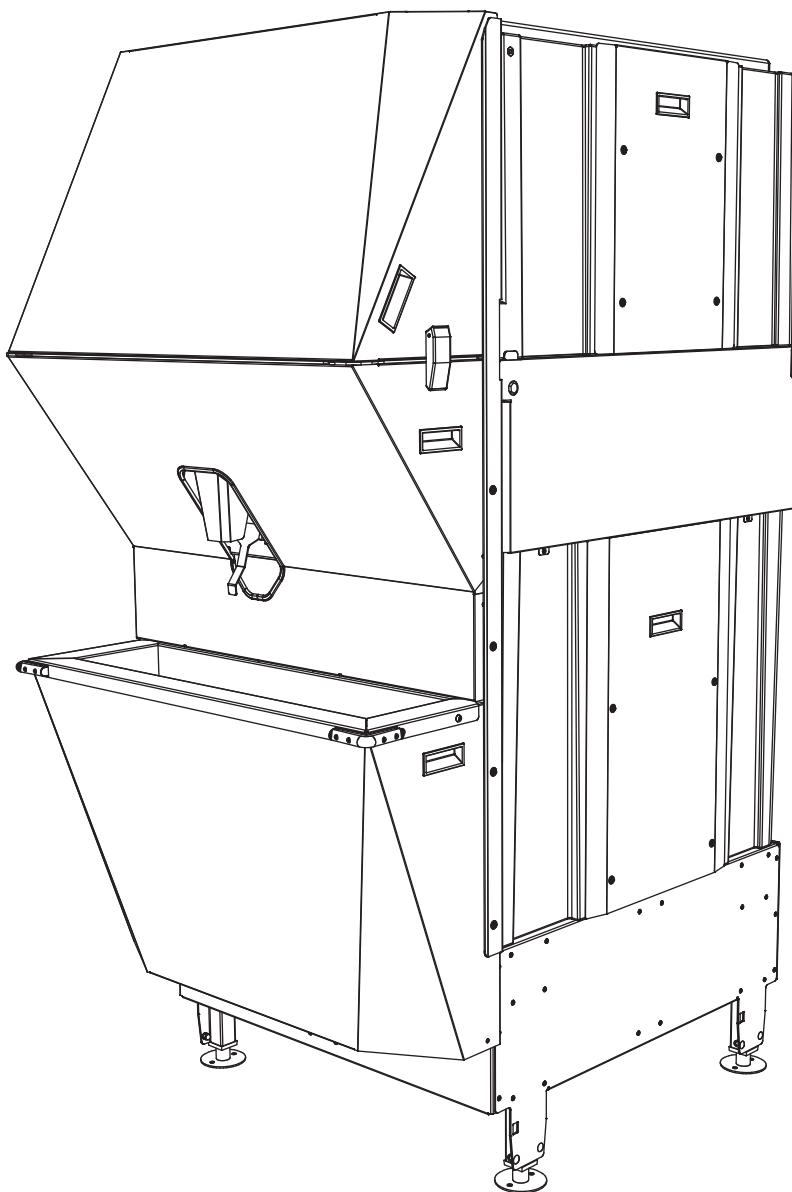


Installation, Operation and Service Manual

Click for [Cleaning and Sanitizing](#) Instructions



**Following installation, please forward this manual
to the appropriate operations person.**

Contents

Welcome to Follett	3
Before You Begin	3
Important Safety Information	3
Specifications	4
Dimensions	4
Ambient Information	4
Electrical	4
Drain Plumbing	4
Clearance and Accessibility	4
Ice Type	4
Detailed Drawing	5
Installation	6
Cleaning and Sanitizing	7
Exterior Care	7
Interior Care	7
Recommended Semi-Annual Cleaning	7
Operation	8
Troubleshooting	9
Service	10
Wiring Diagram	10
Parts	11
Front Panels	11
Dispense Auger	12
Upper Chassis	13
Lower Chassis	14
Base and Drain Lines	15
Electrical System	16

Welcome to Follett

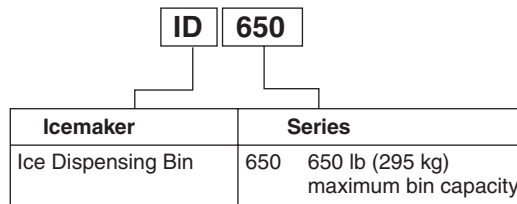
Follett equipment enjoys a well-deserved reputation for excellent performance, long-term reliability, and outstanding after-the-sale support. To ensure that this product delivers that same degree of service, we ask that you take a moment to review this manual before beginning the installation. Should you have any questions or require technical help at any point, please call our technical service group at (877) 612-5086 or +1 (610) 252-7301.

Before You Begin

After uncrating and removing all packing material, inspect the equipment for concealed shipping damage. If damage is found, immediately notify the shipper and contact Follett Corporation so that we can help in the filing of a claim, if necessary.

Check your paperwork to verify that you received the correct dispenser. Follett configuration numbers are designed to provide information about the type of dispenser you are receiving. The following is an explanation of the model number.

Icemaker Model Number Configurations



Important Safety Information

Please read and adhere to the following safety information while installing, using, or servicing your Follett ID650 Ice Dispensing System.

1. Always disconnect power before cleaning or servicing the dispenser.
2. The storage area of the dispenser contains mechanical, moving parts. Keep hands and arms clear of this area unless performing maintenance.
3. The dispenser can accommodate Horizon Chewblet® ice only. Cube, crushed, flake, other nugget, bagged or fused ice cannot be used. Use of these ice types can jam or damage the dispenser and void the warranty. For questions about ice compatibility, call Follett's technical service toll free at (877) 612-5086 or +1 (610) 252-7301.
4. Ice is slippery. Maintain counters and floors around dispenser in a clean and ice-free condition.
5. Ice is food. Follow the recommended cleaning instructions to maintain cleanliness of delivered ice.

Specifications

Dimensions

	ID650
Width	36.2" (919.5 mm)
Depth	46.9" (1191.3 mm)
Height	77.75" (1974.9 mm)
Unit Shipping Weight	540 lb (245 kg)

Ambient Information



NOTICE!

The ID650 is recommended for indoor use only.

	Maximum	Minimum
Air Temperature	100 F (38 C)	40 F (4 C)

Electrical

- The ID650 dispenser and its accompanying icemaker require separate electrical circuits, and the equipment must be grounded.
- 220 V, 60 Hz, 1 phase, 5A max, 15A circuit, NEMA 6-15 receptacle
- 7 ft. (2.13 m) power cord with plug provided

Drain Plumbing

- Two (2) 3/4" PVC socket fittings (one for bin drain, one for drain pan) run to floor drain.
- DO NOT reduce sizing.
- Drains must be hard-piped and insulated.
- Maintain at least a 1/4" per foot (1 cm per 31 cm) slope on the drain line runs.
- DO NOT tee drains together or into icemaker drain line.

Clearance and Accessibility

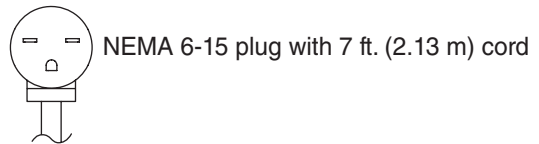
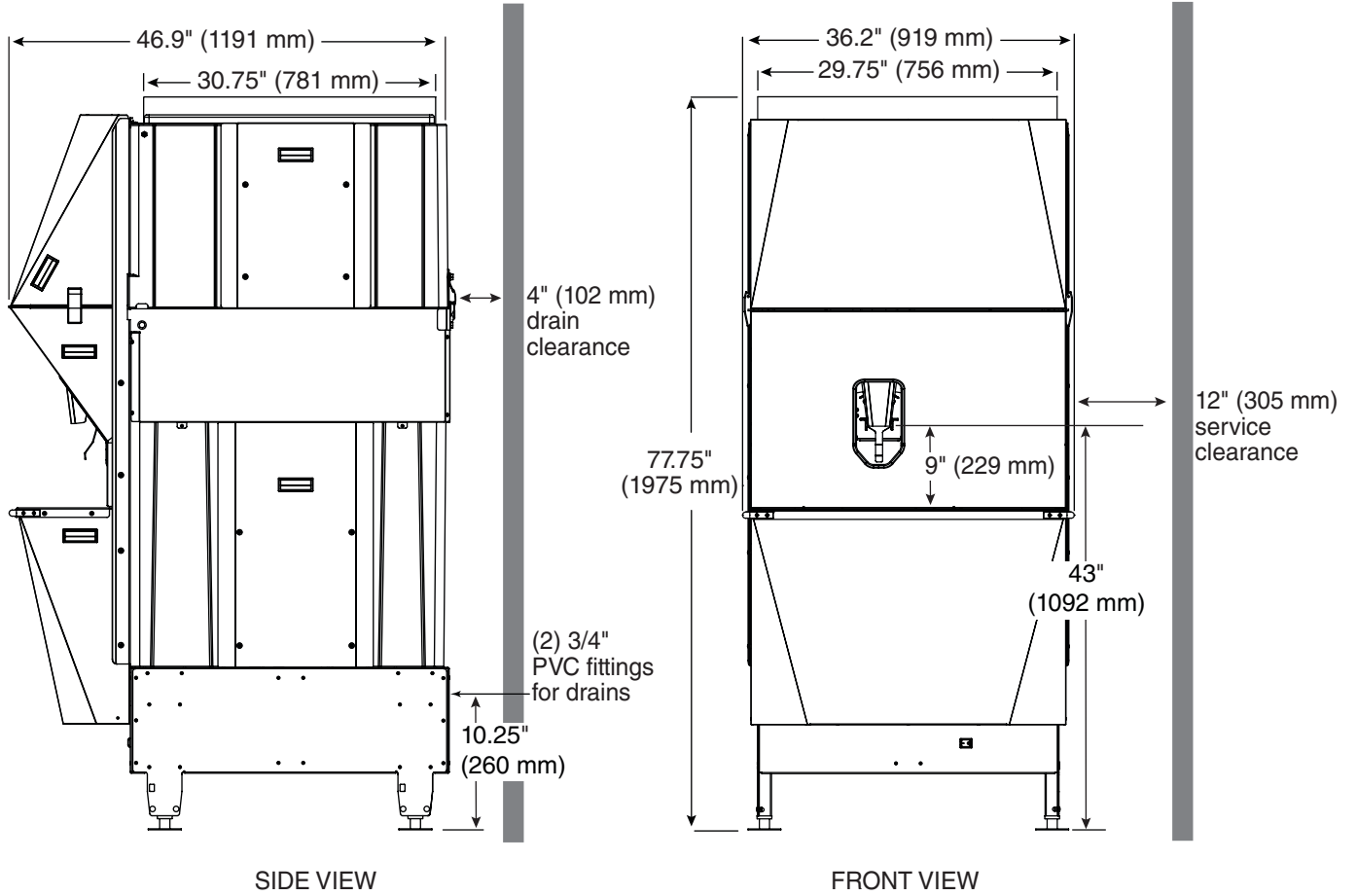
- 12" (305 mm) minimum to right of dispenser for service.
- 4" (102 mm) minimum behind the dispenser for drain connection.
- A door opening no less than 34.625" (879.5 mm) wide and an unobstructed path to the installation site.

Ice Type

- The dispenser can accommodate Horizon Chewblet® ice only. Cube, crushed, flake, other nugget, bagged or fused ice cannot be used. Use of these ice types can jam or damage the dispenser and void the warranty. For questions about ice compatibility, call Follett's technical service toll free at (877) 612-5086 or +1 (610) 252-7301.

Specifications (continued)

Detailed Drawing



Installation



WARNING!

No service or maintenance should be performed until the technician has thoroughly read this service manual. Except for routine cleaning and sanitizing, only qualified technicians should attempt to service or maintain this equipment.

The ID650 Dispensing Bin is designed for use with the Follett Horizon™ Chewblet ice. The icemaker is sold separately and can be mounted on top of the bin, or remotely up to 75 ft. (19 m) away. Model-specific bin tops are required.

1. Verify that the dispenser will fit in the desired location. Clearances of at least 4" (102 mm) behind, and 12" (305 mm) to the right of the dispenser are required for the drain connection and servicing.
2. It is important to level the dispenser so that the top-mounted icemaker operates properly. Each of the dispenser's four legs, which are factory-set at fully retracted, can be adjusted independently. Turn each leg (clockwise to lower or counterclockwise to raise) until the dispenser is level (**Fig. 1**).
3. The drain connections are 3/4" PVC sockets located on the back of the dispenser (**Fig. 2**). Provide at least a 1/4" per foot (1 cm per 31 cm) slope on the drain line runs. Insulate the entire drain length to prevent condensation from forming on the outside of the drain lines.
4. Make electrical connections in accordance with all local and national electrical codes. The ID650 dispenser and its accompanying icemaker require separate electrical circuits, and the equipment must be grounded.
5. Clean and sanitize the ID650 dispenser prior to first use.

Fig. 1

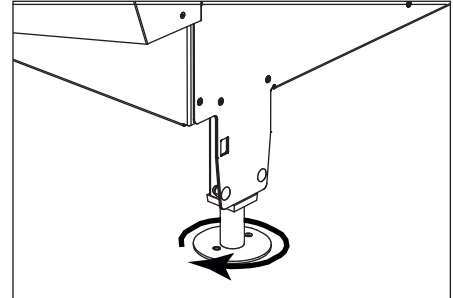
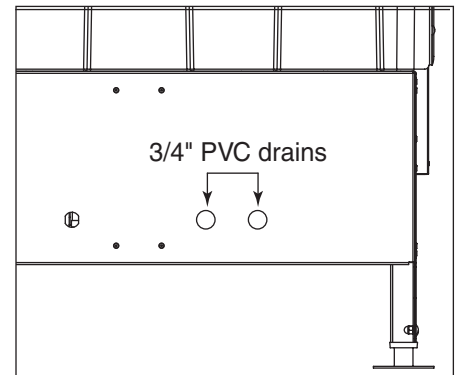


Fig. 2



Cleaning and Sanitizing

Exterior Care

A mild detergent cleaner may be used to clean the exterior plastic sides of the bin. Stainless steel portions of the bin can be cleaned with a stainless steel cleaner such as 3M* Stainless Steel Cleaner & Polish or equivalent.

Interior Care

The interior should be cleaned and sanitized periodically with solutions A and B.

Solution A: Cleaning Solution

Combine 1 oz (30 ml) bleach with 2 gallons (7.6 L) hot water or use an equivalent sanitizer and mix for 200 ppm available chlorine.

Solution B: Sanitizing Solution

Combine ¼ oz (7 ml) bleach with 2 gallons (7.6 L) hot water or use an equivalent sanitizer and mix for 50 ppm available chlorine.

Cleaning Brush

A long-handled cleaning brush should be used to access the bottom of the bin.

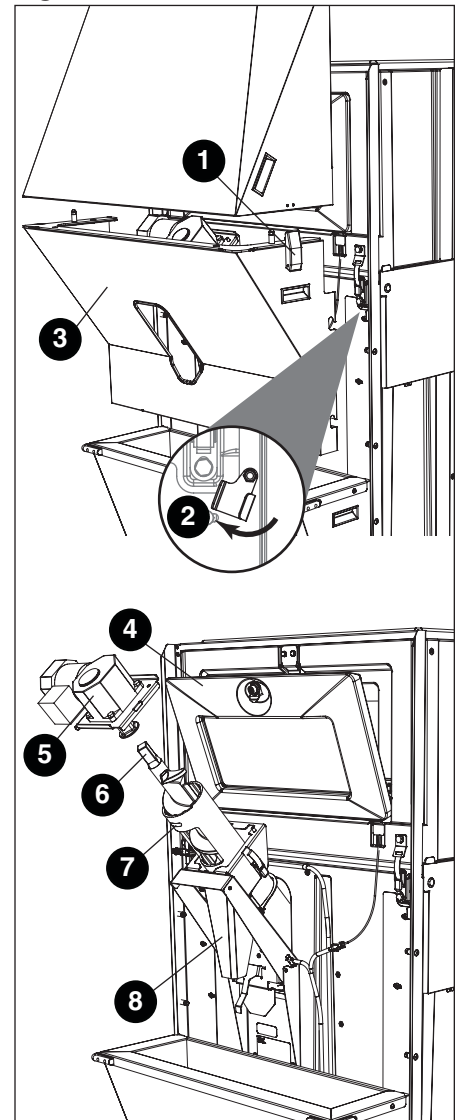
Recommended Semi-Annual Cleaning

Follett recommends that you clean and sanitize your ID650 dispenser every six months using the following procedure (see **Fig. 3**).

1. Dispense all ice from bin.
2. Disconnect power from icemaker and dispenser.
3. Disengage both latches and remove top cover (**Fig. 3.1**); turn both middle cover latches inward (**Fig. 3.2**); remove middle cover (**Fig. 3.3**).
4. Remove ice storage window (**Fig. 3.4**).
5. Detach gearmotor's two latches. Disconnect cable and set aside gearmotor (**Fig. 3.5**).
6. Pull out auger (**Fig. 3.6**).
7. Remove auger tube by unscrewing thumb screw on left side, lift up retaining clamp and pull tube out of bin. Note position of alignment slot on upper end for reinstallation (**Fig. 3.7**).
8. Slide chute retainer to left and remove chute (**Fig. 3.8**).
9. Clean all components, inner bin storage surfaces and dispense chute surfaces with a brush and cleaning solution A. Rinse thoroughly with clean water.
10. Sanitize all components and bin storage surfaces with solution B, but DO NOT rinse.
11. Pour a solution of 8 oz (237 ml) bleach mixed with one gallon (3.8 L) hot water into both the interior bin drain and drain pan to help prevent algae growth in the drain lines.
12. Reassemble the dispenser and reconnect power.

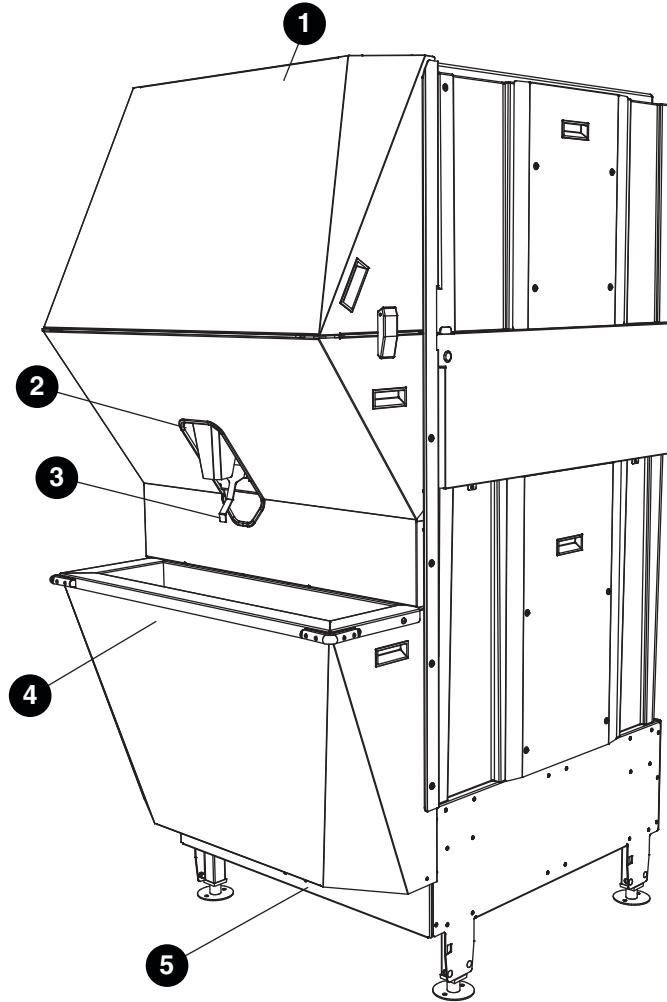
* 3M is a trademark of 3M Company.

Fig. 3



Operation

Follett's ID650 dispensing system stores and dispenses approximately 650 lbs (295 kg) of Follett Chewblet ice. The lever-actuated dispense fills cups at a rate of 8 lbs to 10 lbs (3.6 kg to 4.5 kg) of ice per minute and features a blue dispense light that illuminates the cup. Follett's Horizon™ Ice icemaker is either mounted on top of the dispenser or can feed the unit remotely from up to 75 ft (19 m) away. An automatic agitation cycle prevents the ice from congealing by periodically activating agitators inside the bin.



1. **Bin Interlock Switch:** Prevents agitation and dispensing when open.
2. **Dispense Light:** Blue light illuminates cup when lever is depressed.
3. **Lever-actuated Dispense:** Depressing lever directs ice into cup via stainless chute.
4. **Drain Pan:** Excess ice is captured in the generous drain pan and melted by the integrated heater.
5. **Power Switch:** Switches system on or off.

⚠ WARNING!

Do not turn power off during normal operation. Turning power off disables the agitation cycle and may lead to congealed ice and damage to the dispenser, voiding the warranty.

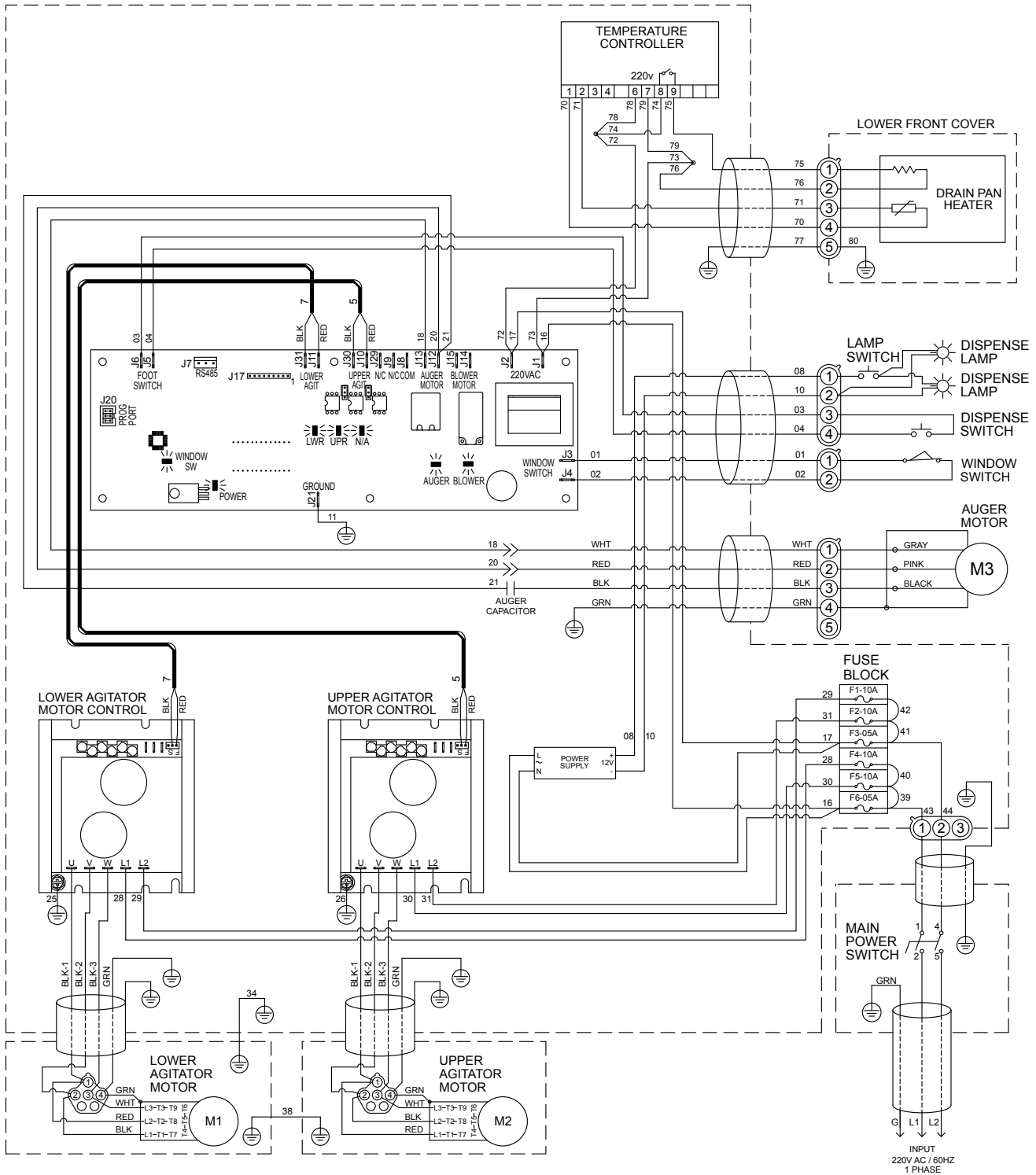
Troubleshooting

Before calling for service, please check for these common problems.

1. Verify that there is ice in the dispenser and that it is not fused and causing a jam.
2. Verify that the circuit breaker(s) and power switch(es) are in the ON position.
3. Verify that the window is secure and in place. If the window is ajar, the dispenser will not operate.
4. Verify that all drains are clear of obstructions.

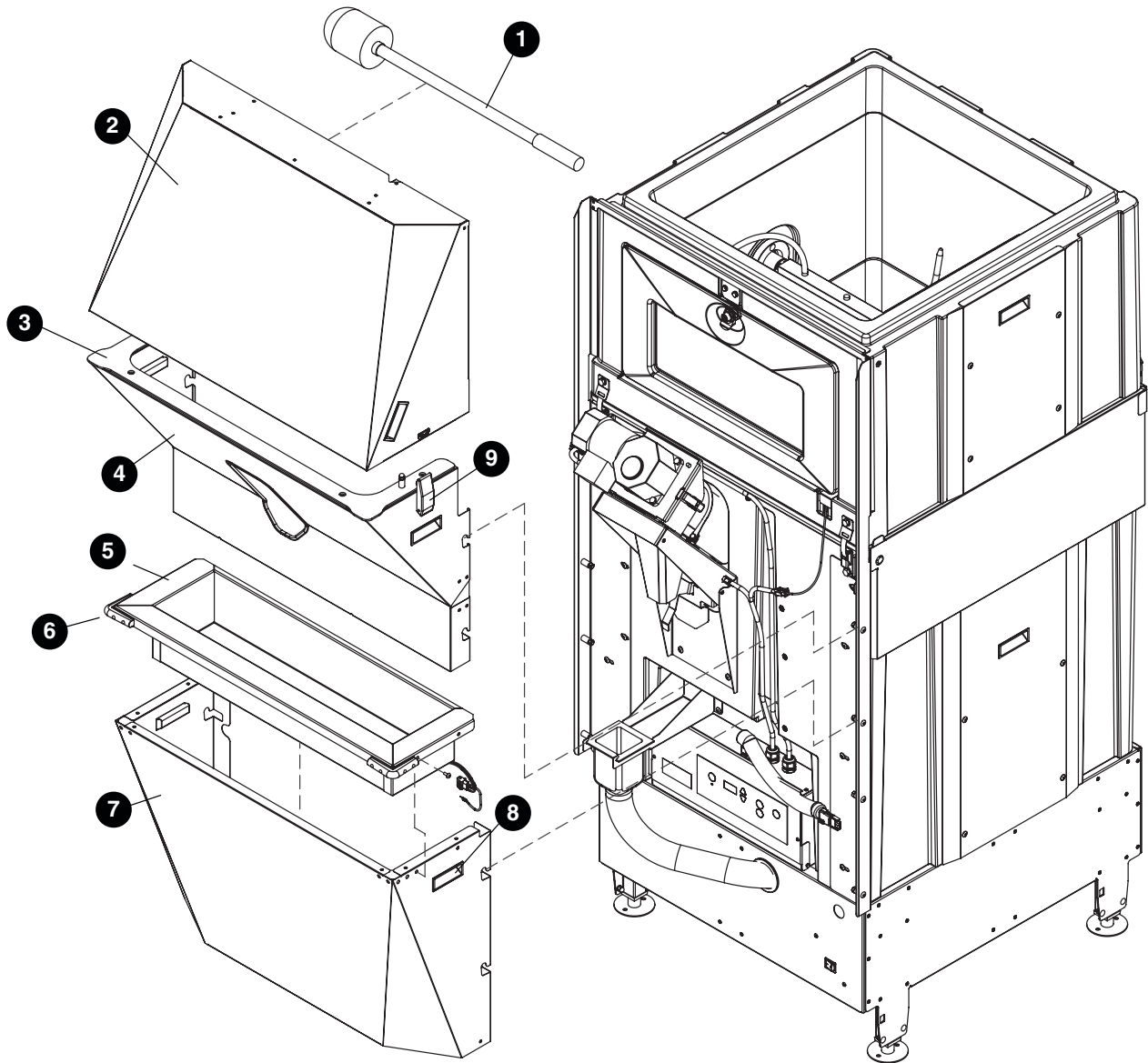
Condition	Problem	Action
Ice does not dispense	No ice in bin	Check operation of icemaker.
	Dispense lever not working.	Check for contact closure.
		Check dispense relay output.
	Auger motor not operating.	Check for power to motor.
		Check for output from control board.
		Check fuses on L1 and L2.
	Agitator motor not operating.	Check for power to motor.
		Check for output from corresponding motor controller.
		Check fuses on L1 and L2.
	Both auger motor and agitator motors are not operating.	Check that the window is in place.
Check that the window interlock sensor magnet is in place.		
Check that the interlock wires are connected.		

Wiring Diagram



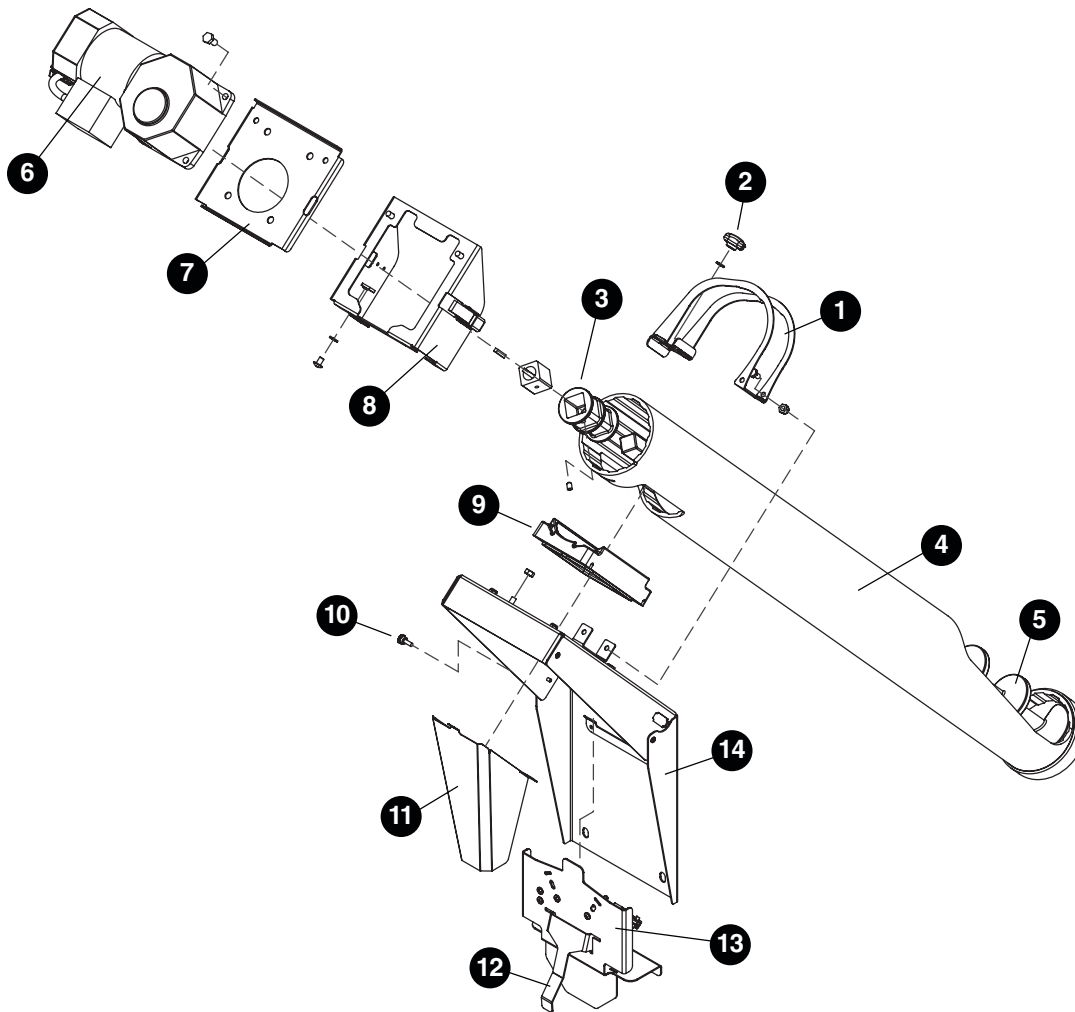
Parts

Front Panels



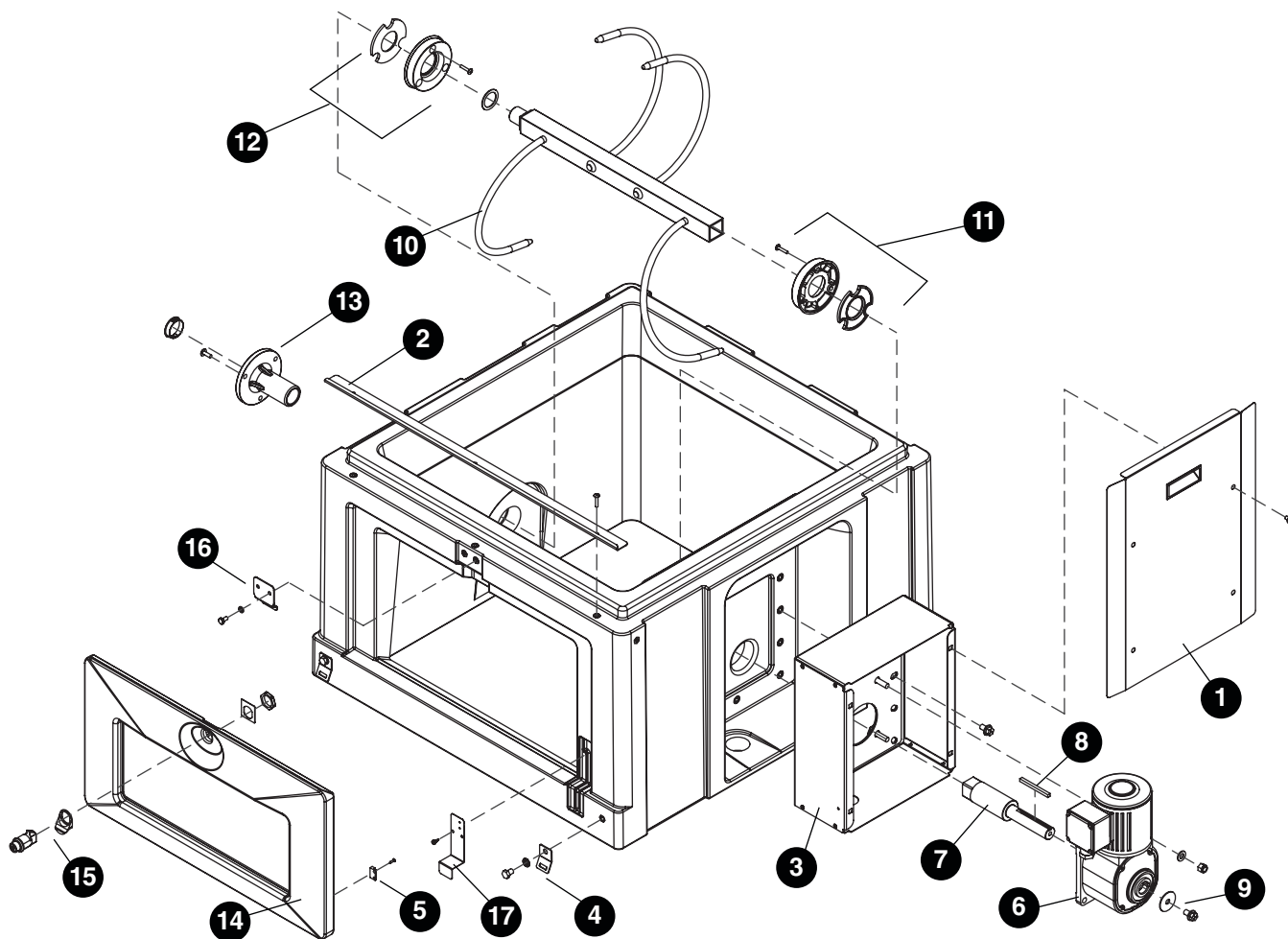
Reference #	Description	Part #
1	Brush, Cleaning	00924555
2	Panel, Upper Assy	00924159
3	Guard, Edge, w/Alignment Pins	00925594
4	Panel, Middle Assy	00924167
5	Pan, Drain Assy	00924183
6	Bumpers, Drip Pan (Two)	00924001
7	Panel, Lower Assy	00924175
8	Handles, All Covers (Two)	00925529
9	Latch, Assy	00924019

Dispense Auger



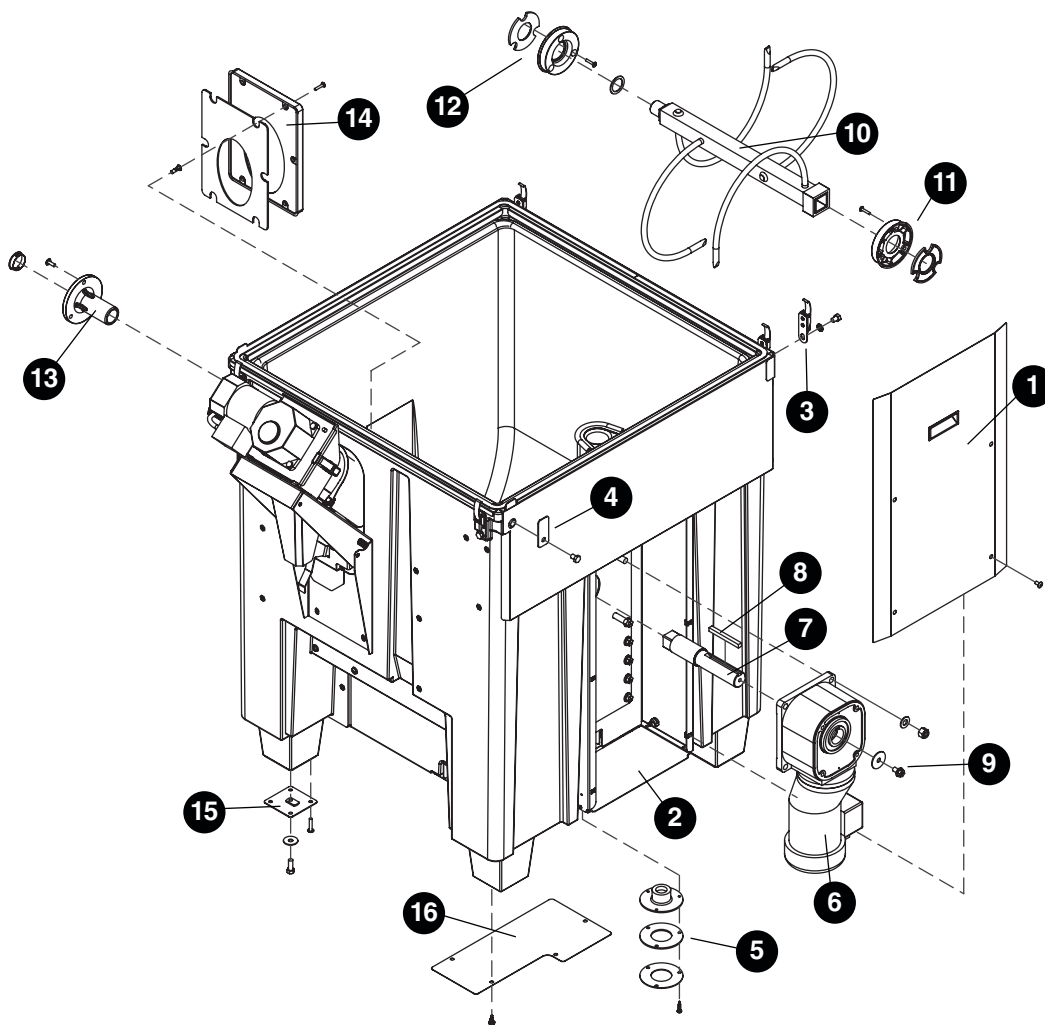
Reference #	Description	Part #
1	Clamp, Auger Tube Assy (w/knob)	00925024
2	Knob, Auger Clamp	00925065
3	Coupling, Auger Drive Assy	00925263
4	Tube, Auger Assy	00925578
5	Auger	00925347
6	Motor, Auger (w/cable)	00925271
7	Mount, Auger Motor (w/bolts)	00925354
8	Frame, Auger Tube (w/latches)	00925362
9	Cradle, Auger Tube	00925586
10	Screw, Dispense Lever	201186
11	Chute, Dispense	00925487
12	Lever, Dispense w/Pivot	00924712
13	Lever, Dispense, Complete Assy	00924704
14	Frame, Dispense	00925388

Upper Chassis



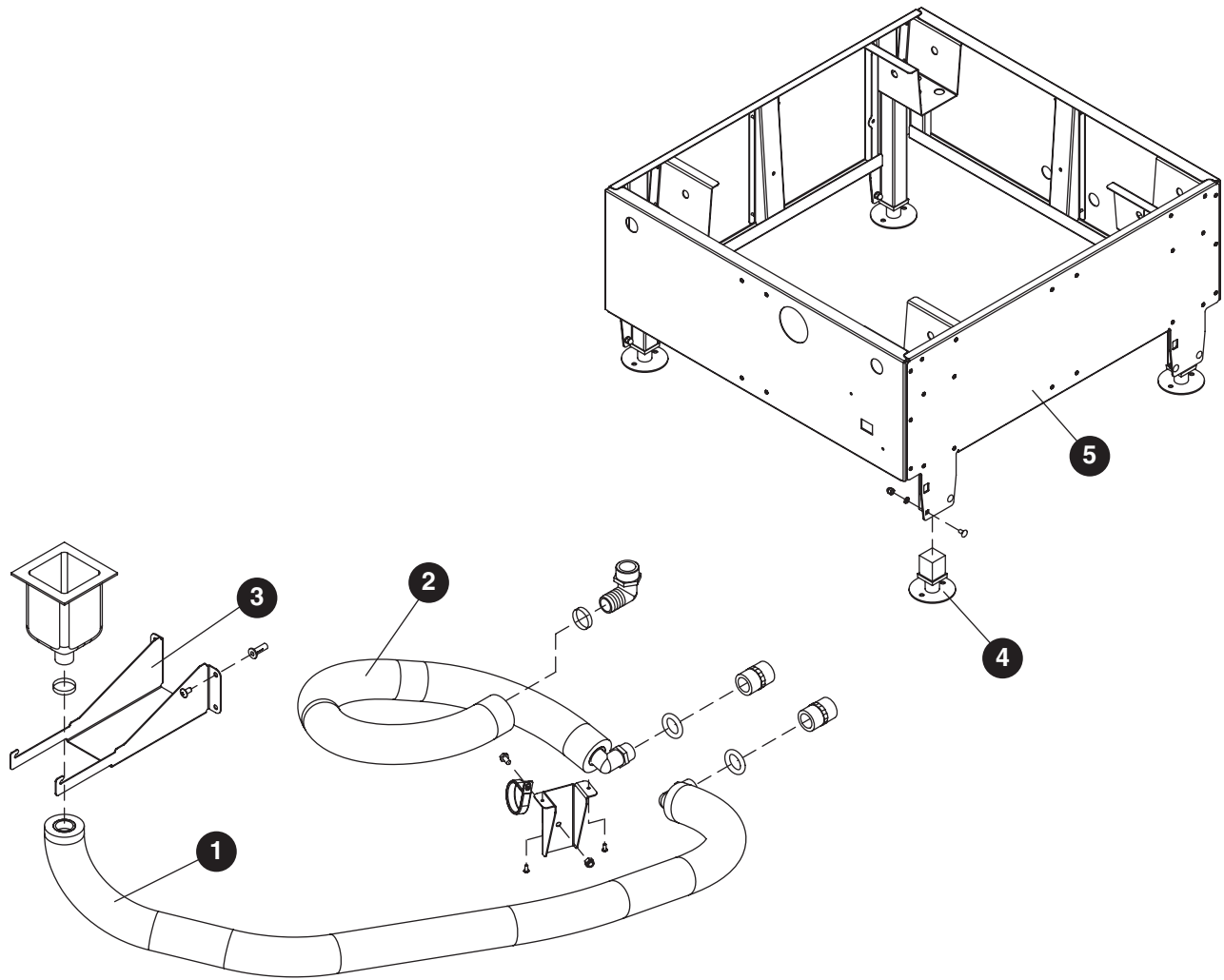
Reference #	Description	Part #
1	Cover, Upper Motor (w/handle)	00924100
2	Guard, Drip Assy	00924118
3	Box, Upper Agitator Motor (w/plates)	00924126
4	Catch, Upper Housing (one)	00924134
5	Magnet, Door Assy	00924548
6	Motor, Upper Agitator (w/cable)	00924209
7	Shaft, Upper Drive (w/key)	00924217
8	Key, Upper Drive Shaft	00924225
9	Bolt, Upper Drive Shaft (w/washer)	00924233
10	Agitator, Upper (w/ thrust washer)	00924340
11	Seal, Shaft, Upper Right Assy	00924316
12	Seal, Shaft, Upper Left Assy	00924324
13	Bearing, Upper Left (w/thrust washer)	00924332
14	Door, Bin Access (w/latch and magnet)	00924506
15	Latch, Door Lock Assy	00924514
16	Plate, Door Strike (w/hardware)	00924522
17	Sensor, Door Assy	00924530

Lower Chassis



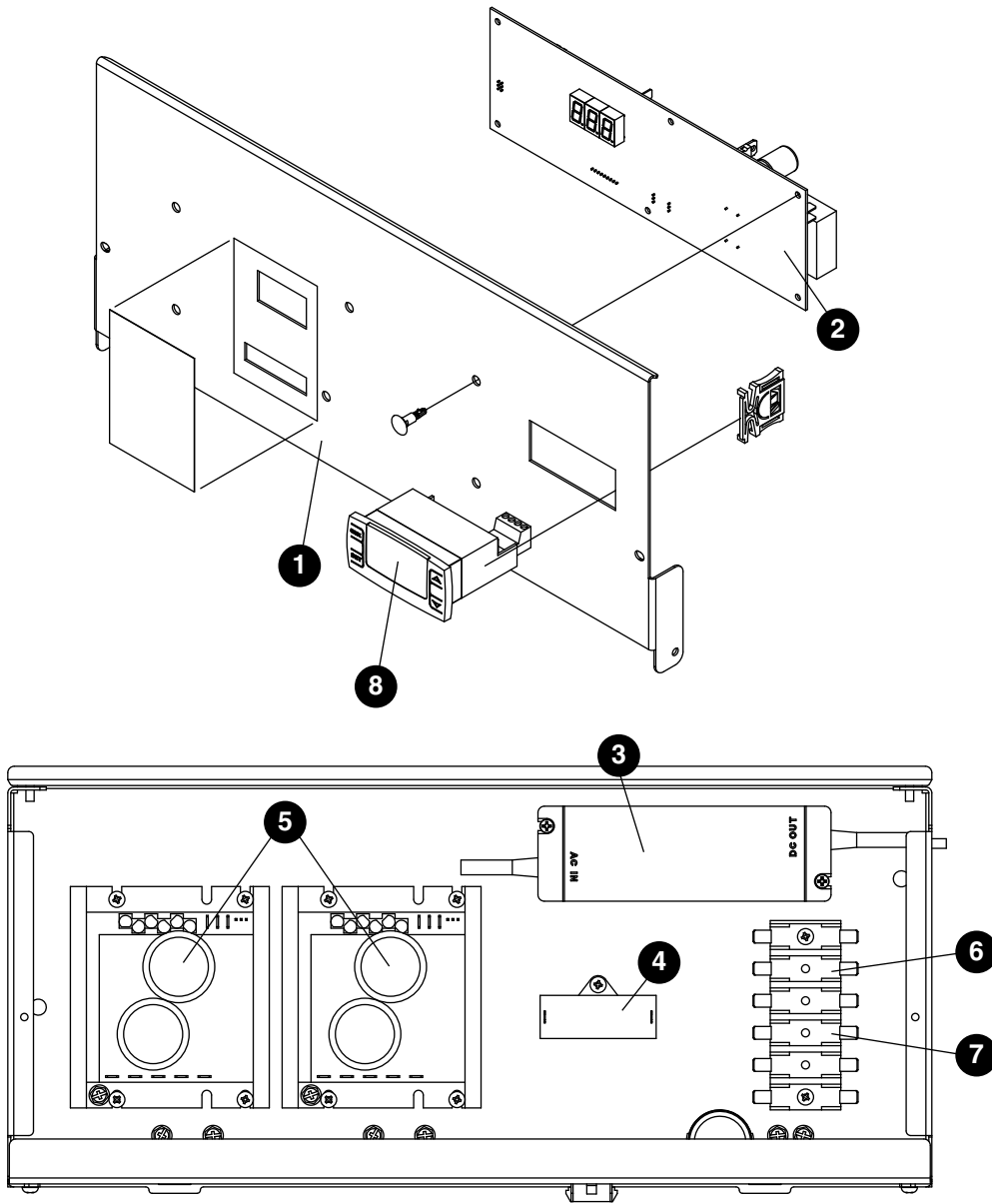
Reference #	Description	Part #
1	Cover, Lower Motor (w/handle)	00925107
2	Box, Lower Agitator Motor (w/plates)	00925123
3	Latch, Draw (one)	00925131
4	Plate, Guide (one)	00925149
5	Bin, Drain Assy	00925057
6	Motor, Lower Agitator (w/cable)	00925206
7	Shaft, Lower Drive (w/key)	00925214
8	Key, Lower Drive Shaft Assy	00925222
9	Bolt, Lower Drive Shaft (w/washer)	00925230
10	Agitator, Lower (w/thrust washer)	00925396
11	Seal, Shaft, Lower Right Assy	00925313
12	Seal, Shaft, Lower Left Assy	00925321
13	Bearing, Lower Left (w/thrust washer)	00925339
14	Seal, Auger Tube Assy	00925537
15	Plate, Base Mount	00925784
16	Cover, Lower Cable Assy	00925164

Base and Drain Lines



Reference #	Description	Part #
1	Drain, Cup (w/tubing),Complete Assy	00925073
2	Drain, Bin (w/tubing),Complete Assy	00925081
3	Support, Drain Cup, Assy	00925099
4	Leg, Adjustable, Flange	00925776
5	Base, Assy (w/four legs)	00925198

Electrical System



Reference #	Description	Part #
1	Cover, Electrical Box	00924654
2	Circuit Board Assy	00924688
3	Power Supply, 12VDC	00924662
4	Capacitor, Auger Motor	00924670
5	VFD, Motor Controller, Upper or Lower	00925651
6	Fuse Block	00925610
7	Fuse, Kit (four 10A, two 5A)	00925628
8	Controller, Drain Pan Heater	00924720
Not shown	Switch, Power, Rocker	00925636
Not shown	Wiring Harness, Agitator Motor	00924613

Chewblet and Follett are registered trademarks, and Horizon is a trademark of Follett Corporation, registered in US.