

Installation Instructions

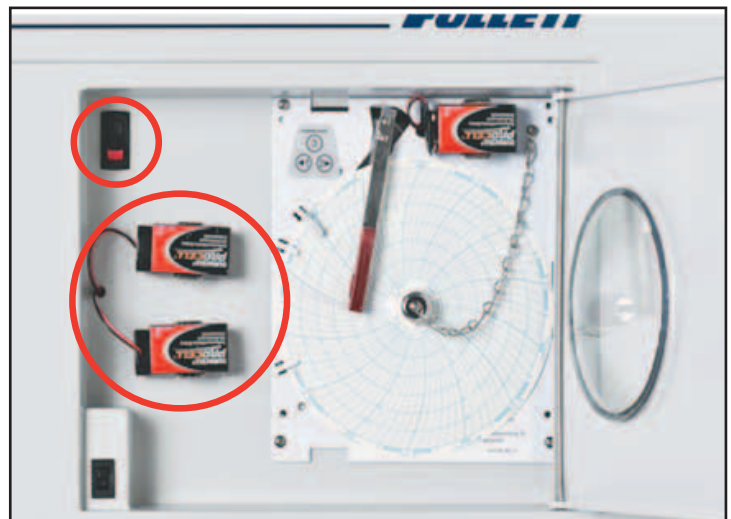
Required items

- 1 cooling unit
- 1 cooling unit gasket
- 4 phillips screws w/lock washers
- 4 locator, all-thread pins

Installation

1. Turn power off and remove batteries (Fig. 2).

Fig. 1



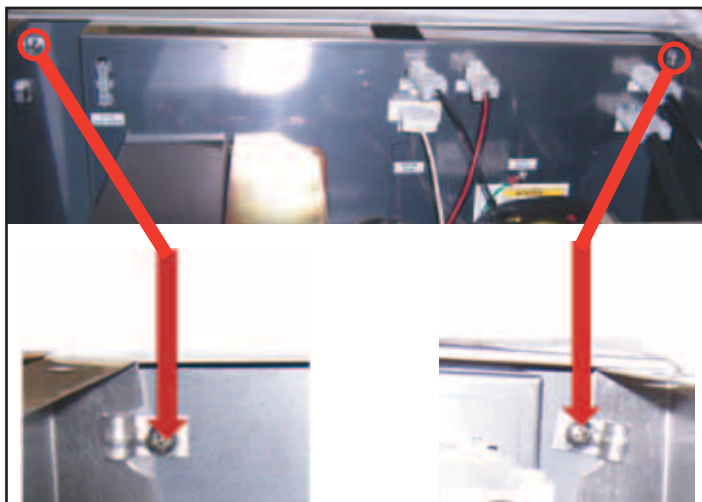
2. Remove top louvered cover (Fig. 1).

Fig. 2



3. Loosen top left and right screw on back of façade, to swivel locking clips out of the way for façade removal (**Fig. 3**).

Fig. 3



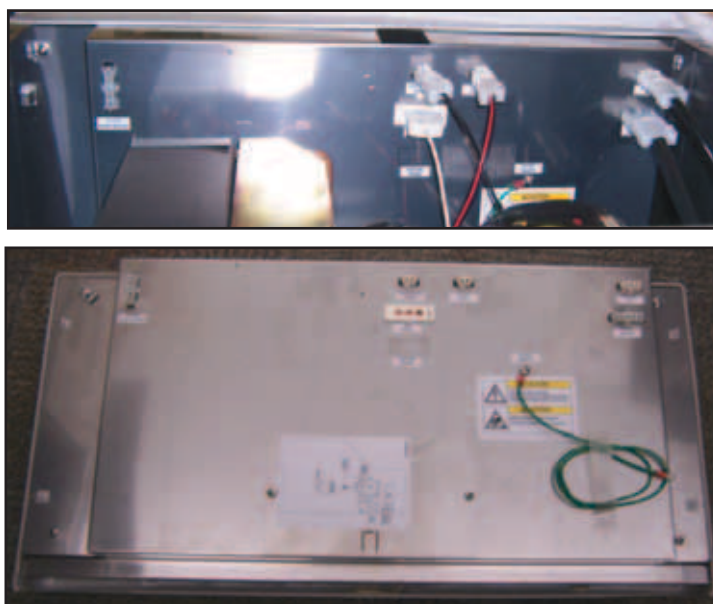
4. Pull façade out of bayonet clips (**Fig. 4**).

Fig. 4



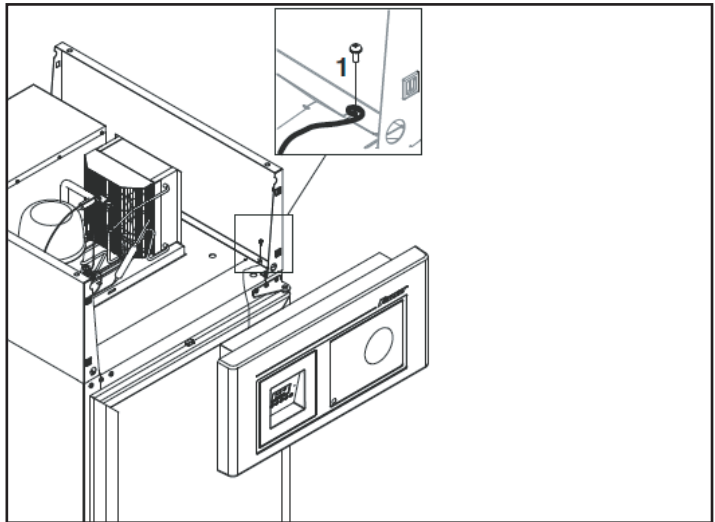
5. Remove all connectors except the ground wire connection on the back of the façade (**Fig. 5**).

Fig. 5



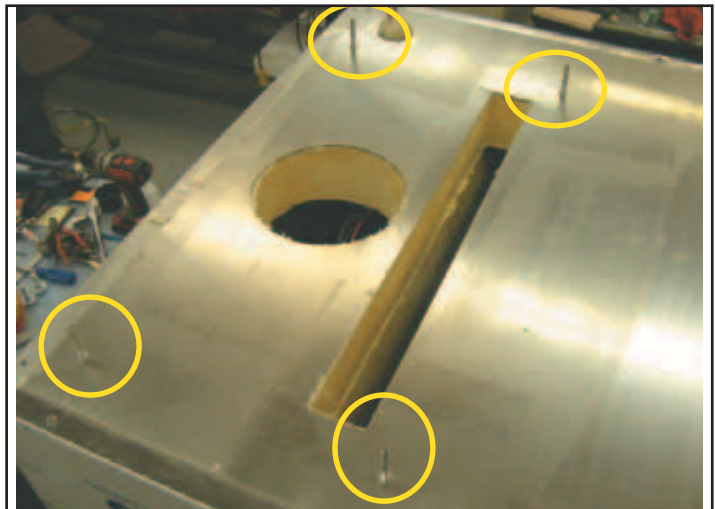
6. The ground wire connection should be removed at the cabinet connection on the side panel (**Fig. 6**).

Fig. 6



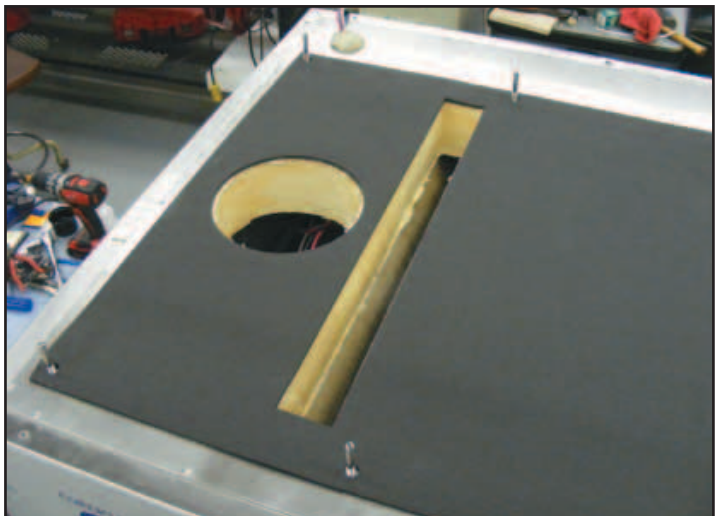
7. One or both of the side panels should be removed to aid in removal and installation of the cooling units. Note the screws that hold the upper side panels only need to be loosened to enable removal of the side panels.
8. After lifting off the old cooling unit and gasket, install the four locator pins (**Fig. 7**). Only thread the pins in 3-4 turns to aid in removing them after the new cooling unit is set in place.

Fig. 7



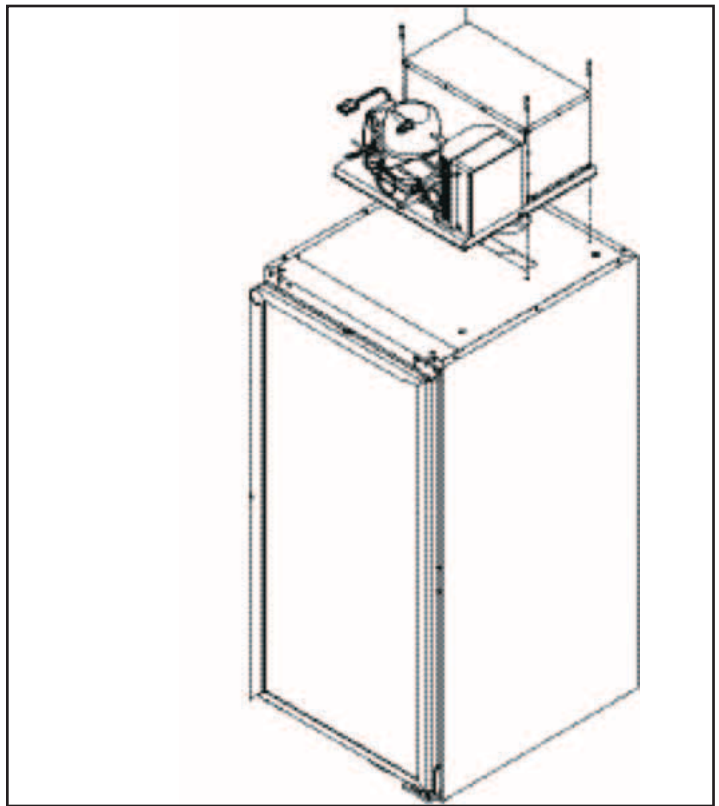
9. Install the new gasket over the locator pins.
10. Lift and set the new cooling unit into place making sure that the gasket does not get misaligned (**Fig. 10**).

Fig. 8



11. Remove the locator pins and install and tighten the screws with lock washers (**Fig. 9**).

Fig. 9



Follett is a registered trademarks of Follett Corporation, registered in US.