



Replacement ice machines

for C Symphony™/Symphony Plus™ ice and water dispensers

Replacement air-cooled ice machine with up to 186 kg (410 lb) daily production of popular Chewblet® ice

- soft, chewable, compressed nugget ice is preferred over cubes¹ and is ideal for patient care
- water and energy efficient
- stainless steel evaporator and auger
- quiet production without noisy harvest cycles

Warranty

- 3 years parts and labor, 5 years compressor parts²

Accessories

Water filter kit (item# 00130229, see form# 9905) installation of an in-line water filtration system is recommended

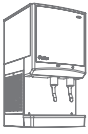


- ___ ea. extra primary water filter cartridge (item# 00130245)
- ___ ea. extra pre-filter cartridge (item# 00130211)

Carbonless water filter kit (see form# 9905)

- ___ ea. extra primary water filter cartridge (item# 01050426)
- ___ ea. extra pre-filter cartridge (item# 00130211)

SafeCLEAN Plus™ ice machine cleaner

- 1 x 8 oz (237 ml) bottle (item# 01147826)
- 6 x 8 oz (237 ml) bottles (item# 01149954)
- Carton of 24 x 8 oz (237 ml) bottles (item# 01149962)

Symphony Plus and Symphony dispensers built after March 2001				
Dispenser series	Condenser	Item number for Symphony	Item number for Symphony Plus	Item number
Countertop dispensers with ice machine behind splash panel 	air	N/A	C25CI425A	CP425A
		N/A	C50CI425A	
Countertop and wall mount dispensers with top mounted ice machines 	air	C25CT400A	N/A	CP425A
		C25HT400A	N/A	
		C50CT400A	N/A	
		C50HT400A	N/A	
Freestanding dispensers with ice machine in base 	air	C25FB400A	N/A	CP425A
		C50FB400A	N/A	

Mokry Dwór 26C 83-021 Wiślina, Poland
+48 (58) 785-6140 | Fax: +48 (58) 785-6159
folletteurope.com

801 Church Lane | Easton, PA 18040, USA
1.610.252.7301 | Fax: +1.610.250.0696 | follettice.com

FOLLETT®

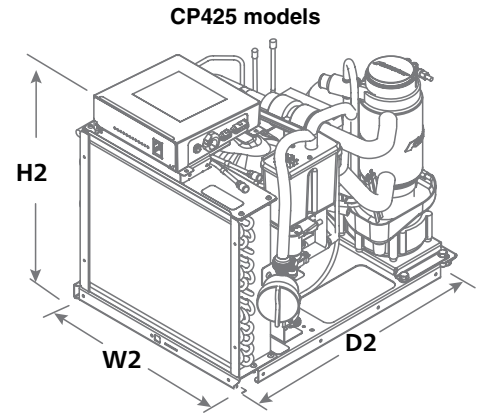
¹ Independent third party studies. Contact Follett for details.
² Refer to price list for additional warranty information.

Specification

CP425A Models

W2 Width	38.7 cm (15.25")
D2 Depth	50.4 cm (19.85")
H2 Overall Height	42.7 cm (16.83")
220 V/60/1 electrical	5.5 amps, 0.8 kW 2.4 m (8') cord only
Refrigerant	R404a
Approximate net weight	49 kg (109 lb)
Approximate ship weight	53 kg (117 lb)

Dimensional drawing



SYMPHONY, SYMPHONY PLUS and SAFECLEAN Plus are trademarks of Follett Products, LLC.
CHEWBLET and FOLLETT are registered trademarks of Follett Products, LLC, registered in the U.S.
Follett reserves the right to change specifications at any time without obligation. Certifications may vary depending on country of origin.