



Maestro Plus™ ice machine bin

414 series for foodservice applications

Features

Up to 193 kg (425 lb) of production and 34 kg (75 lb) of storage capacity. Perfect for space limited facilities. Less than 61.0 cm (24.00") wide, the Maestro Plus ice machine bin will provide the capacity you need in a small footprint.

- Undercounter application without the legs: 83.8 cm (33.00") tall unit will fit under standard counters. Teflon glides allow it to slide easily into place.
- Freestanding: 99.1 cm (39.00") tall with legs

Consumer-preferred Micro Chewblet ice (also available as a flaker)

- preferred over cubes by more than 2:1¹
- easy to chew
- slow melting, maintains drink temperature and quality, comparable to cubes
- higher displacement than cube ice

Flake ice is perfect for display

- securely supports salad bar containers without tipping
- cradles fish and vegetables without bruising

High performance Maestro Plus ice machines

- stainless steel evaporator, auger and top bearing provide durability
- oversized, heavy duty, tapered roller bearing ensures long low-maintenance life
- semi-automatic cleaning cycle reduces maintenance costs
- regular flushing improves ice quality and reduces scale

Environmentally responsible

- R290 refrigerant has low environmental impact and nominal global warming potential
- energy-efficient, no costly defrost cycles
- 25% less energy than comparable capacity cube machines
- 40% less water than comparable capacity cube machines

Designed for easy installation and service

- front ventilated - no side, top or back clearance required
- rear utility access allows for rear electrical and plumbing connection with no rear clearance required
- bin and shroud may be removed for service and maintenance

Warranty

- 3 years parts and labor, 5 years compressor parts

¹ Consumer study conducted by independent agency Roper ASW.

Model configurations			
Ice Production	Ice type	V/Hz/Ph	Item number ¹
193 kg (425 lb)	Micro Chewblet™	230/50/1	UME414A80
	Flake	230/50/1	UFE414A80

¹ Models not for use in the United States. Models ship EXW Incoterms 2010 – Wislina, Poland.



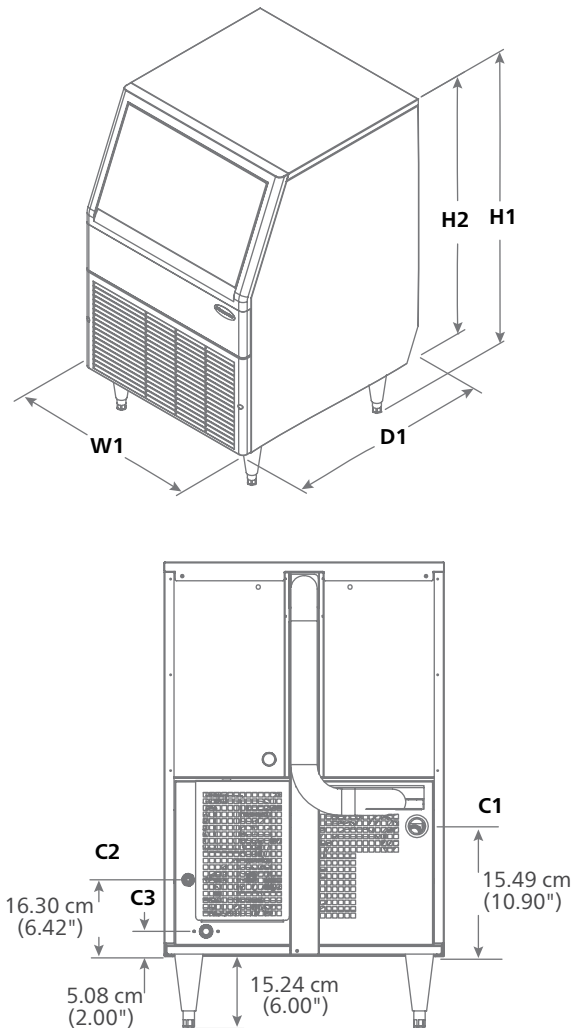
Specification

Ice storage capacity	34 kg (75 lb)
W1 Width	59.7 cm (23.50")
D1 Depth	66.0 cm (26.00")
H1 Height with legs	99.1 cm (39.00")
H2 Height without legs	83.8 cm (33.00")
Service and ventilation clearance	front ventilated - no side, top or back clearance required
Utility connection location	back
C1 Electrical	230 V/50/1 4 amps, cord only
C2 Potable water inlet	3/8" push in
C3 Drain	3/4" MPT when unit is installed without legs, floor drain must be within 1.8 m (6')
Air temperature	10 - 38 C (50 - 100 F)
Water temperature	4 - 32 C (40 - 90 F)
Potable water pressure	69 - 483 kpa (10 - 70 psi) 0.7 Bar - 5 Bar max
Ice production at 21 C (70 F) air, 10 C (50 F) water	193 kg (425 lb)
Ice production at 32 C (90 F) air, 21 C (70 F) water	147 kg (325 lb)
Energy consumption 32 C (90 F) air, 21 C (70 F) water	5.4 kWh
Heat rejection	5,000 BTU/hr
Water consumption	45.4 L (12.0 gal) of potable water per 45.4 kg (100 lb) of ice
Refrigerant	R290
Approximate ship weight	88 kg (194 lb)

NOTE: For indoor use only. Designed for commercial use. Follett is not able to provide in-house services for residential installations.

SHORT FORM SPECIFICATION: Ice machine to be Follett model number _____, Ice machine to be air-cooled and produce approximately 193 kg (425 lb) per day of _____ Micro Chewblet or _____ flake ice. Ice storage capacity of up to 34 kg (75 lb). Ice machine to have stainless steel evaporator, auger, top bearings, heavy duty tapered roller bearings, and low water safety circuit. CE listed.

Dimensional drawing



Incoterms is a trademark of the International Chamber of Commerce. MAESTRO PLUS and MICRO CHEWBLET are trademarks of Follett Products, LLC. FOLLETT is a registered trademark of Follett Products, LLC, registered in the US. Follett reserves the right to change specifications at any time without obligation. Certifications may vary depending on country of origin.

Ice machine bin