



# FZR5P-T Performance Plus

medical-grade undercounter freezer

## Features

### Superior temperature performance

- custom-designed microprocessor temperature controller
- air-cooled refrigeration system with heavy duty 1/4 horsepower compressor
- environmentally friendly, non-CFC R404a refrigerant
- programmed automatic defrost every 6 hours
- cabinet-wide temperature remains within  $\pm 1$  C (1.8 F), even with frequent door openings

### Convenience and security

- fits below 36.00" (91.4 cm) standard countertops without casters
- refrigeration system settings accessed through door-mounted controls
- 7" LCD capacitive touchscreen digital temperature display available in user-programmable C or F with choice of product or air temperature
- integral event and data logging with easy downloading via convenient USB port
- user-programmable audible and visual high/low alarms
- mechanical lock – mounted on side of door
- lockable controller so setpoints cannot be inadvertently changed
- dry (NO and NC) contacts allow connection to remote alarm systems
- flexible internal storage configuration (drawers and shelves interchangeable)
- lighted cabinet
- Agion® antimicrobial and UV product protection added to molded plastic façade<sup>1</sup>

### Durability and serviceability

- stainless steel construction on exterior and interior
- two epoxy-coated wire shelves standard
- back wall evaporator and front ventilation (no top, back or side clearance required)
- heavy-duty edge-mount self-closing hinges
- solid stainless steel door
- right or left-hinged door with integral handle and magnetic gasket door closure provides ease-of-use

### Warranty

- 2 year parts and labor
- 5 year compressor parts only
- optional extended one year warranty (item# EW12)
  - 3 year parts and labor
  - 5 year compressor parts only
- optional extended three year warranty (item# EW36)
  - 5 year parts and labor

### Certifications



Commercial Refrigerator  
SAFETY US/CA – SA12646

Model configurations			
Controls	Hinge location <sup>1</sup>	Keypad	Item number
<b>7" LCD touchscreen</b>	right	no	<b>FZR5P-TR-00-00</b>
		yes	<b>FZR5P-TR-KP-00</b>
	left	no	<b>FZR5P-TL-00-00</b>
		yes	<b>FZR5P-TL-KP-00</b>

<sup>1</sup> As facing the unit.

## Options and accessories

Keypad and electronic lock

Replacement NTC probe with NIST-traceable certificate of calibration (item# 01077841)

Additional shelf (1) (item# 01059484)

Drawer accessory kit (1 drawer, glide hardware and flush front panel) (item# 01053644)

Drawer accessory kit (2 drawers, glide hardware and flush front panel) (item# 01067750)

Temperature surveillance module (includes alarm, 6.00" (15.24 cm) chart recorder, remote contacts) (item# 00168674)

Universal ADC-compatible bracket (for all medication dispensing system locks) (item# 01059096)

Glycerine, 16 oz (item# 00959296)

Stacking kit (Performance Plus on Performance Plus) (item# 01054006)

Stacking kit (REF/FZR Series on Performance Plus) (item# 01067172)

Pedestal base, 23.75" wide x 24.00" deep x 17.00" high (60.3 x 61.0 x 43.2 cm), stainless (item# 01059120)

Casters (set of 4 with spacers) (item# 01053636)

Wall mount kit (item# 00153700)

Seismic bracket kit (item# 01059104)

<sup>1</sup> Disclaimer: Antimicrobial protection is limited to the plastic façade.

## Specification

Nominal capacity	4.5 cu ft (127 L)
Ventilation clearance	0.0" for top, side and back clearance

## Exterior

<b>W1</b> Width	23.75" (60.3 cm)
<b>D1</b> Depth cabinet	25.62" (64.9 cm)
Depth with façade	27.00" (68.6 cm)
<b>H1</b> Height	34.00" (86.4 cm)
Height with casters	36.50" (92.7 cm)
Door swing	24.00" (60 cm) from front of cabinet, 180° from closed

## Interior

Width	19.75" (50.2 cm)
Depth	18.32" (46.5 cm)
Height	21.54" (54.7 cm)
Storage system	(2) 18.10" x 19.10" (48.5 cm x 46.0 cm) epoxy-coated steel shelves

## Door configurations

Door	solid, foamed stainless 21.50" x 22.51" x 1.63" (54.6 cm x 57.2 cm x 4.0 cm)
Door lock	cylinder lock
Door handle	molded into front façade
Door hinges	edge-mount, self-closing, right or left
Gasket	magnetic

## Electrical

<b>C1</b> 115 V/60/1 electrical	7.1 run load amps, NEMA 5-15P 90° hospital-grade plug. PVC, SJT, 16GA, 7' Lg cord.
---------------------------------	--

Maximum size of branch circuit overcurrent device	15 amps dedicated circuit
---	---------------------------

## Controls

Temperature display	7" capacitive touchscreen
<b>C2</b> 3rd party probe access	rear access port
Factory preset	-27.8 C
Date and time	programmable
Controller security	choose "on" or "off" — 4 digit password to prevent interface setting/selection changes
Product simulation bottle	(1) 60 ml
Programmable operating range	-37.2 to -17.8 C (-35 to 0 F)

## Alarming

High and low product temperature alarm	audible and visual, user programmable setpoints in C or F
Probe error alarm	audible and visual — product temperature probes, refrigeration and defrost
Alarm mute	user selectable
Alarm volume	0 -10 adjustable
Min/max temperature log	shows highest and lowest product temperature since last reset occurred
Remote contacts	NO/NC standard, located on back

## System performance

Refrigerant and charge	R404a refrigerant, 10 oz
Energy consumption	5.8 kWh/day
Nominal heat rejection <sup>1</sup>	825 BTU/hr (242 W)

Max heat rejection	2175 BTU/hr (637 W)
--------------------	---------------------

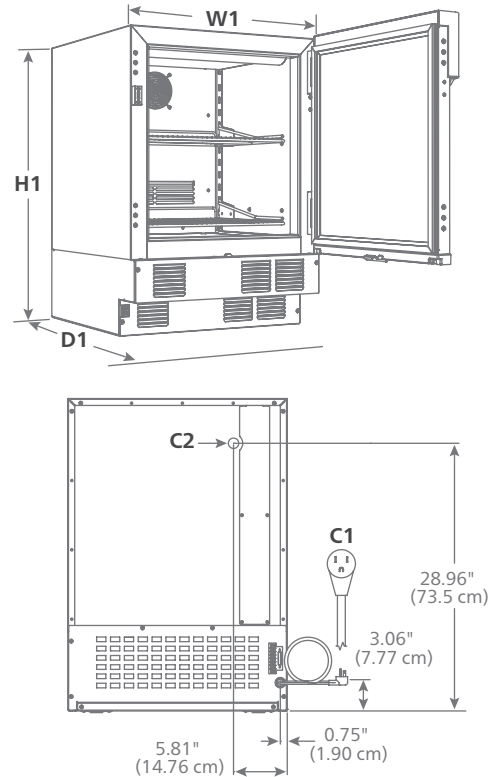
## Shipping

Approximate net weight	170 lb (77 kg)
Approximate ship weight	205 lb (93 kg)

NOTE: For indoor use only

**SHORT FORM SPECIFICATION:** Performance Plus undercounter freezer fits under 36.00" (91.4 cm) standard height counter with 4.5 cu ft (127 L) of nominal capacity. Includes (2) epoxy-coated wire shelves, adjustable in 1.50" (3.81 cm) increments. Environmentally responsible R404a forced-air cooled refrigeration system. Top-mounted controls with LCD touchscreen display product or air temperature in user-selectable C or F. Event and data logging with USB download capability. Integral high and low temperature alarming. Storage area insulated with CARB compliant non-HFC foam. 7' (2.1 m) power cord with NEMA 5-15P 90° hospital-grade plug. UL and CUL listed.

## Dimensional drawing



<sup>1</sup> Nominal heat rejection means heat rejection from a freezer in a 75 F (24 C) ambient with proper ventilation, an empty cabinet, default settings, default defrost schedules/durations, and nominal supply 115-120 VAC.

Agion is a registered trademark of Sciessent LLC.  
FOLLETT and FOLLETT HEALTHCARE are registered trademarks of Follett Products, LLC, registered in the US.  
Follett reserves the right to change specifications at any time without obligation. Certifications may vary depending on country of origin.

## FZR5P-T undercounter freezer

6520-202303 | © Follett Products, LLC

801 Church Lane | Easton, PA 18040, USA  
1.800.523.9361 | 1.610.252.7301 | folletthealthcare.com

