

Installation Instructions

Materials Supplied

- (1) Claris filter
- (1) Head assembly
- (1) Bracket
- (1) Elbow fitting, 1/4" x 1/4"
- (2) Elbow reducer fitting, 3/8" x 1/4"
- (2) Bushings
- (6) Screws, M5 x 12
- (2) Nuts, M5 x 1mm
- (20 ft.) Tubing, 1/4" OD x 0.170" ID

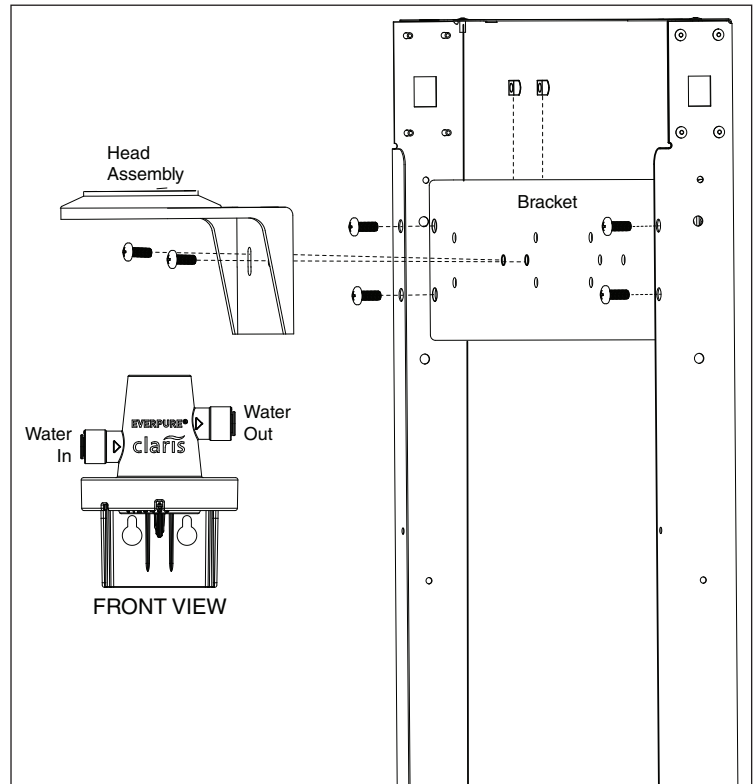


CAUTION!

Only qualified technicians should attempt to service or maintain this equipment.

If you experience any problems during the installation process, please call Follett Technical Service toll-free at (877) 612-5086 for assistance.

Fig. 1



Installation

1. Turn off water supply to dispenser.
2. Mount bracket and head assembly (**Fig. 1**). (Bracket shown mounted within base, right-hand side, of freestanding unit.)
3. The head unit is shipped with the bypass set at 5. Please use the chart below to determine the proper bypass setting for your application. Depress the blue select knob (**Fig. 2**) on the bottom of the head unit and turn to set the appropriate filter bypass level.

Fig. 2

Feed Water Hardness CaCO3		Feed Water TDS	Bypass Setting (recommendation if 70% of TDS is CaCO3)	Filtrate Hardness CaCO3		Filtrate TDS
(gpg)	(ppm)	(ppm)		(gpg)	(ppm)	(ppm)
11-12	195-215	280-305	5	5-6	95-102	182-198
13	230	331	4	5	90	192
14-15	250-265	356-381	4	6	95-102	182-195
16-17	285-302	407-432	3	5	83-87	179-190
19-21	338-374	483-534	2	4	65-72	179-198
23-26	410-463	585-661	2	5	80-90	175-198

Contact Follett for additional information if your water conditions are outside these parameters.


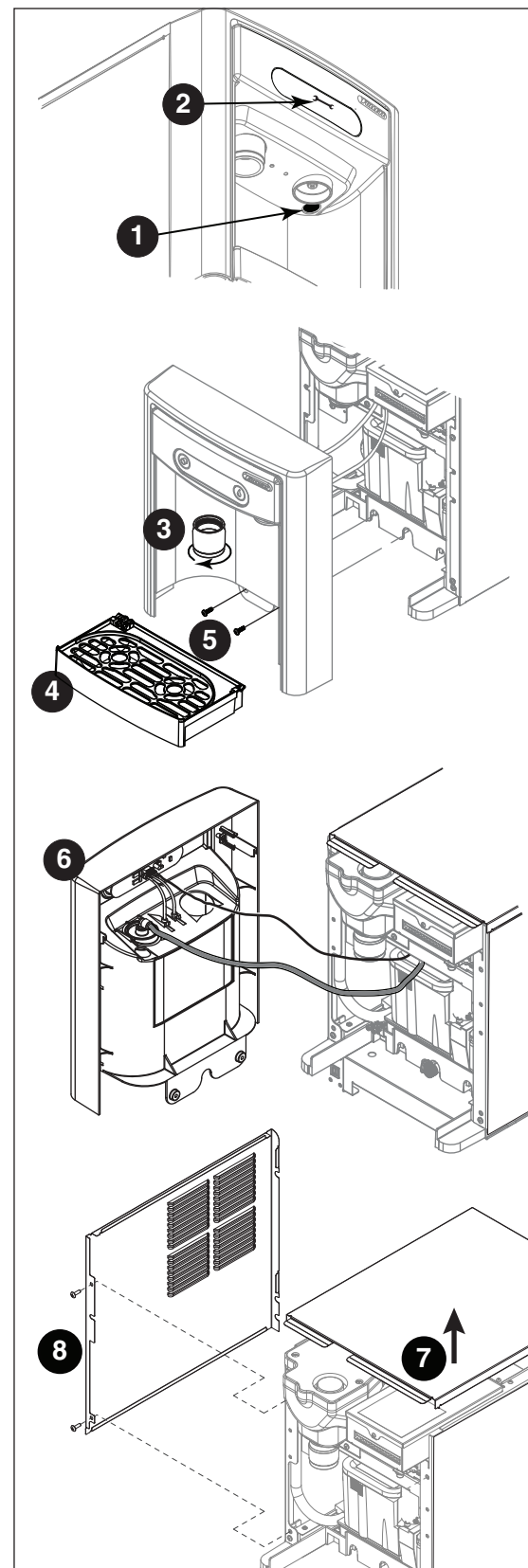
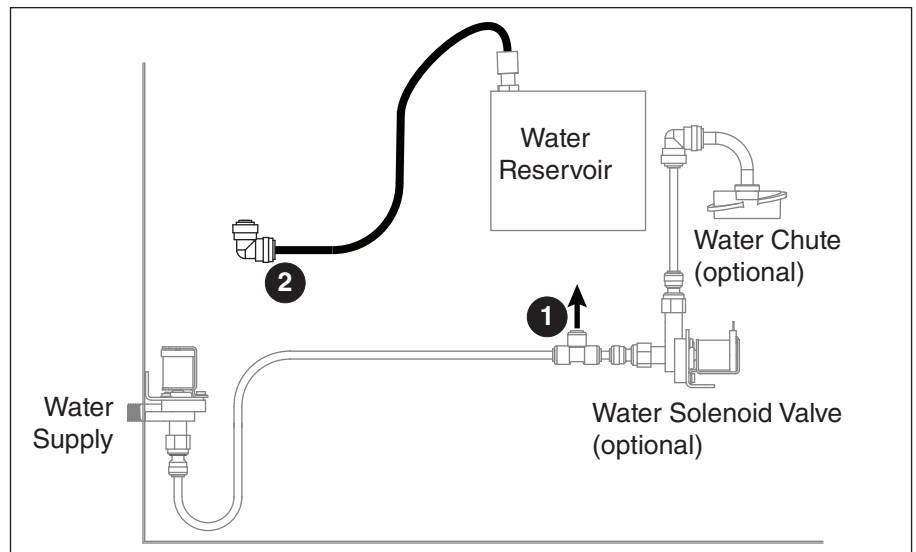
4. Press and hold the maintenance/clean switch (**Fig. 3.1**) until  displays in the user interface (**Fig. 3.2**).
5. Remove (unscrew) chrome ice dispenser chute (**Fig. 3.3**).
6. Remove the drip tray (**Fig. 3.4**).
7. Remove the two screws (**Fig. 3.5**) on the front panel (behind the drip tray).
8. Remove and set aside the front panel (**Fig. 3.6**) - **do not disengage the plug on the back of the User Interface or the tubing at the water dispenser chute (if so equipped)**.
9. Lift and remove the top panel, set aside (**Fig. 3.7**).
10. Remove two screws (**Fig. 3.8**) and remove left side panel.

Fig. 3



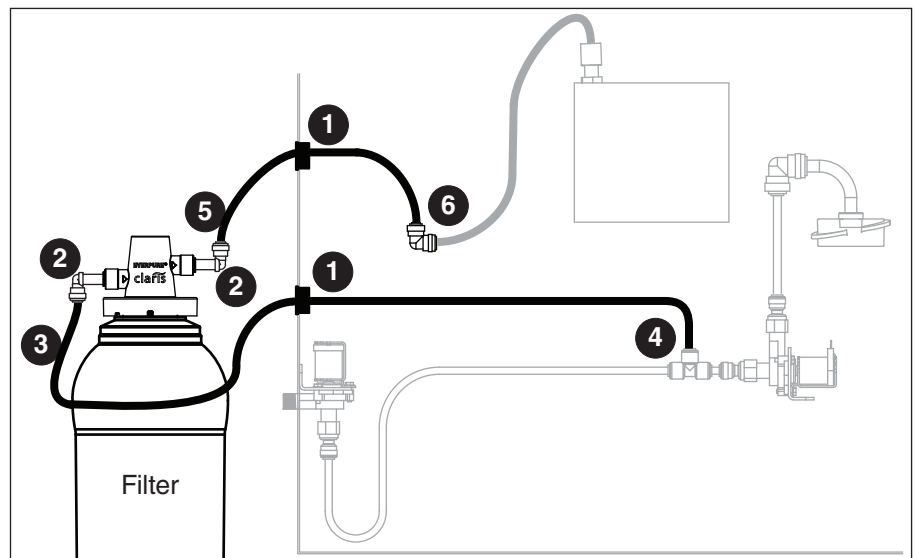
- Disconnect water tube at T-fitting (**Fig. 4.1**) and connect elbow fitting to water tube (**Fig. 4.2**).

Fig. 4



- Place bushings in two hole locations in back panel (**Fig. 5.1**).
- Install two 3/8" x 1/4" reducing elbows to Claris head (**Fig. 5.2**).
- Cut 5 ft. of tubing and connect one end to Claris 'water in' (**Fig. 5.3**).
- Run tubing through bottom bushing and connect to T-fitting (**Fig. 5.4**).
- Cut 5 ft. of tubing and connect one end to Claris 'water out' (**Fig. 5.5**), run tubing through top bushing and connect to elbow fitting (**Fig. 5.6**).
- Sanitize the dispenser prior to use (refer to the Installation, Operation and Service Manual shipped with the dispenser).

Fig. 5



Follett is a registered trademark of Follett LLC, registered in US.



801 Church Lane • Easton, PA 18040, USA
Toll free (877) 612-5086 • +1 (610) 252-7301
www.follettice.com



00986109R02
© Follett LLC 6/18