

# Single door upright

ice storage bins



Model SG1010S-48 shown, other models will vary.

Industry exclusive SmartGATE ice shield



## Features

Designed for safer and more sanitary ice access

- industry exclusive SmartGATE® ice shield controls the flow of ice to reduce spills and limit contact with ice
- locks in three positions and returns easily to full down position even when bin is full
- better access to loosen congealed ice
- no bending into bin means more sanitary ice removal with scoop or shovel

Fresher ice

- first ice in is first ice out

Ice compatibility

- compatible with cube ice, flake ice and customer preferred Chewblet® ice

Durable, user friendly construction

- full stainless bin exterior
- corrosion-resistant poly bin liner and top
- heavy duty "stay-open" PowerHinge™ door hinge – easy one hand open and close without door catches
- molded-in gasket never needs to be replaced

Easy installation

- comes assembled, simply screw in legs
- only 31.00" (78.7 cm) deep to fit through standard door openings by removing front door assembly (4 screws, no sealant)

Warranty

- parts and labor for corrosion repair for useful life of product
- 5 years parts and labor on all other integral components
- 3rd party ice machines must be installed and operated in accordance with the manufacturer's instructions
- visit [follettice.com](http://follettice.com) for complete warranty details

Includes:

- custom-cut non-corroding ABS top
- optional Flexi-Top™ ice bin top system for 48.00" (121.9 cm) and 60.00" (152.4 cm) wide models – allows many ice machines to fit one top
- 82 oz plastic ice scoop

## Accessories

SmartCART™ 75 ice cart (item# 00112771)

Ice paddle and hanging bracket (item# ABICEPADDL46)

Ice rake (item# AB36RAKE)

Plastic ice shovel (item# ABICESHOVEL)

Center bin partition available on bins 48.00" (121.9 cm) wide and wider

Additional carts and accessories (refer to form# 3435)

Mokry Dwór 26C 83-021 Wiślina, Poland  
+48 (58) 785-6140 | Fax: +48 (58) 785-6159  
[folletteurope.com](http://folletteurope.com)

801 Church Lane | Easton, PA 18040, USA  
1.610.252.7301 | Fax: +1.610.250.0696 | [follettice.com](http://follettice.com)

**FOLLETT**®

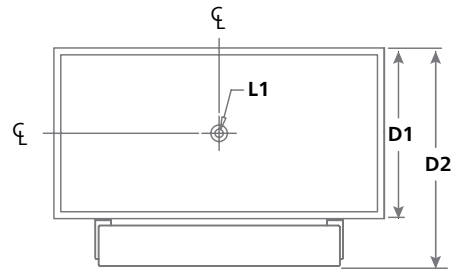
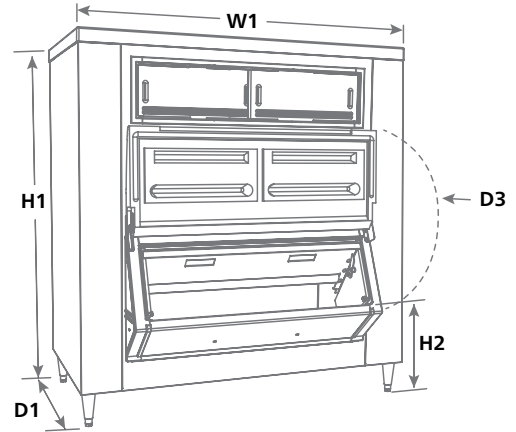
## Specification

Maximum bin capacity <sup>1</sup>	see model table below
<b>W1</b> Width	see model table below
<b>D1</b> Depth	31.00" (78.7 cm)
<b>D2</b> Depth with lower door assembly (easily removed for installation access)	39.00" (99.1 cm)
<b>D3</b> Depth with door fully extended	49.50" (125.7 cm)
<b>H1</b> Height (adjustable)	see model table below
<b>H2</b> Bin sill height	19.00" (48.3 cm)
Required door access	see model table below
<b>L1</b> Drain <sup>2</sup>	1.00" FPT, center of bin bottom
Ice compatibility	cube ice, flake ice and Chewblet ice
Shipping weight	see model table below

NOTE: For indoor use only

**SHORT FORM SPECIFICATION:** Ice storage bin to be Follett® model \_\_\_\_\_ with industry-exclusive SmartGATE ice shield. Bin to hold approximately \_\_\_\_\_ lb (kg) of ice. Construction to be welded steel shell and frame. Exterior finish to be stainless steel front, sides, back and bottom. Bin liner to have non-corroding polyethylene walls and stainless steel bottom. Bin insulation to be CARB compliant non-HFC foam, bonded to shell and liner for added structural strength. Bin top to be ABS plastic custom-cut for specific ice machine(s) to be used. Lower door assembly to include non-corroding polyethylene ice door assembly, polyethylene lift door with PowerHinge door hinge to eliminate gasket and latches, and inner SmartGATE ice shield to positively control ice flow into ice door assembly area and reduce spillage. Entire lower door assembly to be easily removable for installation through narrow doors. Upper inspection windows to be of molded double-wall plastic to increase durability and minimize meltage and condensation. Bin to have 6.00" (15.24 cm) legs, adjustable to 7.25" (18.42 cm). Bin drain to be 1.00" FPT rigid PVC. NSF-listed.

## Dimensional drawing



FLEXI-TOP, SMARTCART and POWERHINGE are trademarks of Follett Products, LLC. CHEWBLET, FOLLETT and SMARTGATE are registered trademarks of Follett Products, LLC, registered in the US. Follett reserves the right to change specifications at any time without obligation. Certifications may vary depending on country of origin.

Model	Maximum bin capacity lb (kg) <sup>1</sup>	Cubic volume cu ft (m)	Width - <b>W1</b> in (cm)	Height <sup>3,4</sup> - <b>H1</b> in (cm)	Required door access <sup>3</sup> in (cm)	Approximate ship weight lb (kg)
SG500S-30 <sup>5</sup>	460 (209)	14.8 (0.41)	30.00 (76.2)	44.50 (113.0)	31.00 (78.7)	210 (96)
SG700S-30	680 (308)	21.7 (0.61)	30.00 (76.2)	60.00 (152.4)	31.00 (78.7)	212 (97)
SG1000S-36 <sup>6</sup>	990 (450)	31.0 (0.88)	36.00 (91.4)	69.50 (176.5)	32.00 (81.3)	257 (117)
SG860S-48 <sup>5</sup>	860 (391)	25.5 (0.72)	48.00 (121.9)	46.50 (118.1)	32.00 (81.3)	255 (116)
SG1010S-48	1000 (454)	31.9 (0.90)	48.00 (121.9)	56.00 (142.4)	32.00 (81.3)	268 (122)
SG1175S-48	1185 (538)	37.6 (1.06)	48.00 (121.9)	62.00 (157.5)	32.00 (81.3)	298 (136)
SG1300S-48	1320 (599)	41.9 (1.19)	48.00 (121.9)	65.00 (165.1)	32.00 (81.3)	277 (126)
SG1160S-56	1170 (531)	37.3 (1.06)	56.00 (142.2)	56.00 (142.2)	32.00 (81.3)	296 (135)
SG1350S-56	1360 (617)	43.2 (1.22)	56.00 (142.2)	62.00 (157.5)	32.00 (81.3)	322 (147)
SG1080S-60 <sup>5</sup>	1080 (490)	34.3 (0.97)	60.00 (152.4)	46.50 (118.1)	32.00 (81.3)	355 (161)
SG1325S-60	1325 (602)	42.0 (1.19)	60.00 (152.4)	56.00 (142.2)	32.00 (81.3)	320 (145)
SG1475S-60	1490 (676)	47.4 (1.34)	60.00 (152.4)	62.00 (157.5)	32.00 (81.3)	321 (146)
SG1650S-60	1660 (754)	52.8 (1.50)	60.00 (152.4)	65.00 (165.1)	32.00 (81.3)	340 (155)
SG2000S-60 <sup>7</sup>	2000 (908)	63.5 (1.80)	60.00 (152.4)	80.00 (203.2)	32.00 (81.3)	382 (173)

### Notes:

- Computed on cubic volume of bin. Does not reflect voids that can occur due to pyramiding.
- Follett recommends installation of a floor drain with grate with all ice storage bins.
- Required clearance for installation access through doors (may require removal of door assembly).
- Special top required for ice machines weighing more than 1000 lb (454 kg). Add 0.5" (1.27 cm) to height. Contact factory.  
**Note:** Not available for model SG500, SG700 and SG1000.
- SG500S-30, SG860S-48 and SG1080S-60 do not have upper inspection window.
- SG1000S-36 standard with stainless steel top and 6.00" (15.24 cm) flanged legs. Correctional package not available.
- 18.00" (45.7 cm) sleeve with window on 62.00" (157.5 cm) high bin.

## Single door uprights

