

Refrigerator and freezer accessories

single door and double door uprights

Item# 01311976



Additional shelf for 11.8 cu ft refrigerator (REF12-LB models)

1/2" (1.27 cm) spacing between shelving with the use of support clips.

- Epoxy-coated wire shelves, adjustable in 1/2" (1.27 cm) increments
- Single shelf
- Shelf dimensions – 18.00" W x 19.00" D (45.7 cm x 48.3 cm)
- Shipping weight – 6 lb (2.7 kg)

Item# 00927251 – REF20-LB, FZR20-LB

Item# 00927269 – REF25-LB, REF45-LB, FZR25-LB



Additional shelves for 20, 25 and 45 cu ft refrigerators and freezers (REF20/25-LB, FZR20/25-LB and REF45-LB models)¹

1/2" (1.27 cm) spacing between shelving with the use of support clips.

- Epoxy-coated wire shelves, adjustable in 1/2" (1.27 cm) increments
- Set of two
- Shelf dimensions
 - REF20/FZR20-LB – 32.38" W x 19.50" D (59.4 cm x 49.5 cm)
 - REF25/REF45/FZR25-LB – 23.38" W x 25.50" D (59.4 cm x 64.8 cm)
- Shipping dimensions
 - REF20/FZR20-LB – 24.00" x 24.00" x 7.00" (61.0 cm x 61.0 cm x 17.8 cm)
 - REF25/REF45/FZR25-LB – 30.00" x 29.00" x 8.00" (73.2 cm x 73.7 cm x 20.3 cm)
- Shipping weight
 - REF20/FZR20-LB – 16 lb (7 kg)
 - REF25/REF45/FZR25-LB – 18 lb (8 kg)

¹ Not for use with REFVAC20/REFVAC25-LB, REFVAC45-LB or FZRVAC20/FZRVAC25-LB.

Item# 01461268 – REFVAC20-LB, FZRVAC20-LB

Item# 01460708 – REFVAC25-LB, REFVAC45-LB, FZRVAC25-LB



Additional shelves for 20, 25 and 45 cu ft refrigerators and freezers (REFVAC20/25-LB, FZRVAC20/25-LB and REFVAC45-LB models)¹

1/2" (1.27 cm) spacing between shelving.

- Epoxy-coated wire shelves, adjustable in 1/2" (1.27 cm) increments
- One shelf
- Shelf dimensions
 - REFVAC20/FZRVAC20-LB – 21.75" W x 19.25" D (55.2 cm x 48.9 cm)
 - REFVAC25/REFVAC45/FZRVAC25-LB – 21.75" W x 24.19" D (55.2 cm x 64.1 cm)
- Shipping dimensions – 25.00" x 24.00" x 7.00" (63.5 cm x 61.0 x 17.8 cm)
- Shipping weight – REFVAC20/FZRVAC20-LB – 14 lb (6 kg)

¹ Not for use with REF20/REF25-LB, REF45-LB or FZR20/FZR25-LB.

**Item# 01140458 – REF20/25, REFVAC20/25,
REF45/REFVAC45 before serial number Q86639
FZR20/25, FZRVAC20/25**



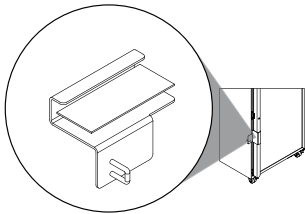
**Item# 01540640 – REF45/REFVAC45 after
serial number Q86638
(not shown)**

Quick-connect replacement RTD temperature probe with certificate of NIST-traceable calibration

The temperature probe monitors the interior temperature conditions of a refrigerator or freezer to ensure proper display and alarming.

- Certificate of NIST-traceable calibration
- Bottle not included
- Shipping dimensions – 5.00" x 5.00" x 8.00" (12.7 cm x 12.7 cm x 20.3 cm)
- Shipping weight – 1 lb (0.5 kg)

Item# 00927202 – Pyxis®

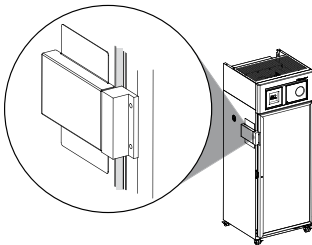


Medication dispensing system compatible door brackets

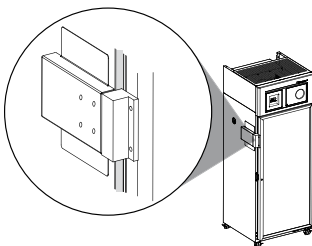
Brackets allow medication dispensing system locking devices to be securely installed onto Follett upright refrigerators and freezers.

- Clearance required for lock box
 - Pyxis – 2.50" (6.35 cm) on handle side
 - Omniceil – 4.00 (10.16 cm)
 - medDISPENSE – 4.00" (10.16 cm)
- Shipping dimensions
 - Pyxis – 11" x 9" x 7" (27.9 x 22.9 x 17.8 cm)
 - Omniceil – 19" x 11" x 8" (48.3 x 27.9 x 20.3 cm)
 - medDISPENSE – 16" x 13" x 7" (40.6 x 33.0 x 17.8 cm)
- Shipping weight
 - Pyxis – 3 lb (1 kg)
 - Omniceil – 7 lb (3 kg)
 - medDISPENSE – 7 lb (3 kg)

Item# 00966432 – Omnicell®



Item# 00978296 – medDISPENSE®



Item# 00959296

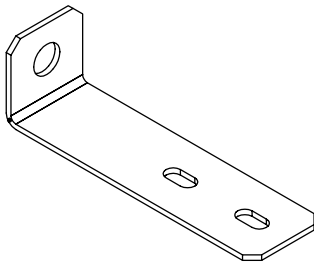


Glycerine

Solution, used as a buffering agent, to stabilize temperature probe reading for the most accurate temperature display.

- 16 oz bottle
- Shipping dimensions – 11.00" x 9.00" x 7.00" (27.9 cm x 22.9 cm x 17.8 cm)
- Shipping weight – 2 lb (0.9 kg)

Item# 01319441

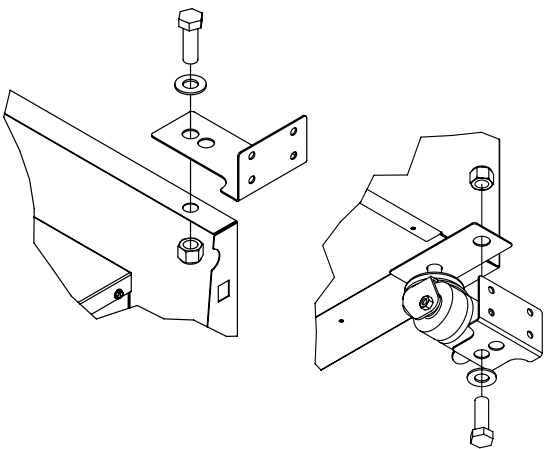


Seismic anchoring kits for REF12

Designed to secure REF12 upright refrigerators to the wall.

- Shipping weight – 2 lb (0.9 kg)

Item# 00927194

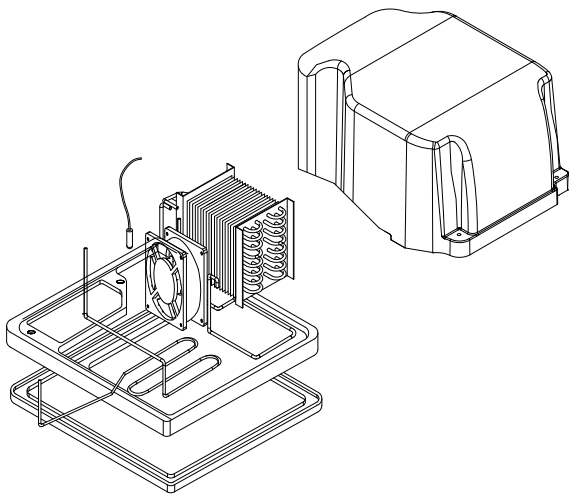


Seismic anchoring kits for REF/FZR20/25/45

Designed to secure all upright refrigerators and freezers (except REF12 models) to the wall.

- Includes mounting plate, metal brackets and hardware
- Certificate contains specific information to assure compliance with 2013 CBC and 2016 CBC
- Shipping dimensions – 11.00" x 9.00" x 7.00" (27.9 cm x 22.9 cm x 17.8 cm)
- Shipping weight – 3 lb (2 kg)

Item# 01312529



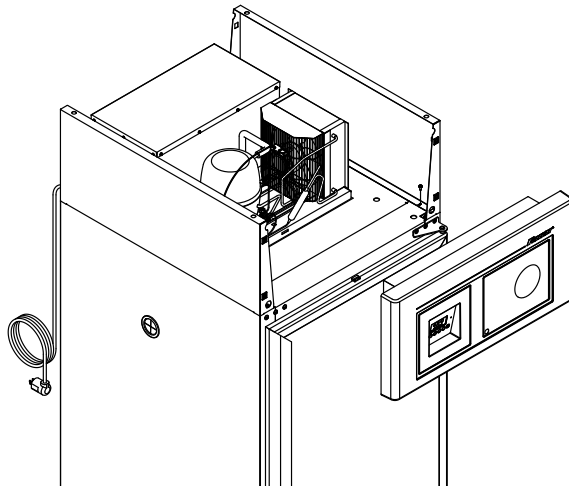
Replacement CRS (complete refrigeration system) module for REF12

Allows refrigeration system to be removed and replaced as a single unit.

- Shipping weight – 61 lb (28 kg)

Item# 00939785 – Refrigerator

Item# 01007004 – Freezer



Replacement CRS (complete refrigeration system) module for REF20/25 and FZR20/25

Allows refrigeration system to be removed and replaced as a single unit.

- 2 years parts, 5 years compressor parts, 2 years labor warranty

- Shipping dimensions

Refrigerator – 31.00" x 27.00" x 23.00" (78.7 cm x 68.6 cm x 58.4 cm)

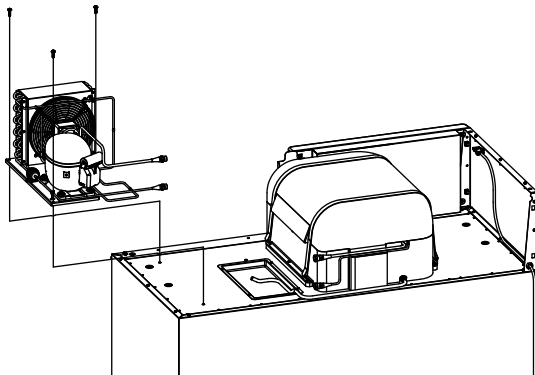
Freezer – 31.00" x 27.00" x 19.00" (78.7 cm x 68.6 cm x 48.3 cm)

- Shipping weight

Refrigerator – 105 lb (48 kg)

Freezer – 125 lb (57 kg)

Item# 01147891



Replacement high-side refrigeration module (complete condensing unit) for REF45

- Shipping dimensions – 30.00" x 33.00" x 33.00" (76.2 cm x 83.8 cm x 83.8 cm)

- Shipping weight – 77 lb (35 kg)

Omniceil is a registered trademark of Omnicell, Inc. in the United States.

Pyxis is a registered trademark of CareFusion in the United States and other countries.

medDISPENSE is a registered trademark of InterMetro Industries Corp. in the United States and other countries.

FOLLETT and FOLLETT HEALTHCARE are registered trademarks of Follett Products, LLC, registered in the US.

Follett reserves the right to change specifications at any time without obligation.

Upright refrigerator and freezer accessories