

Horizon Elite™

remote 1010, 1410 series Chewblet® ice machine



Features

Horizon Elite

- 1010 series - up to 978 lb (444 kg) in 24 hours
- 1410 series - up to 1372 lb (623 kg) in 24 hours
- automatically transport ice through a tube with RIDE® technology from up to 75' (22.9 m) away
- chewable, compressed nugget ice is preferred over cubes¹
- ice dispenses reliably from ice and beverage dispensers
- available with approximately 1.00" (2.54 cm) long standard Chewblet ice or optional 3/8" (0.95 cm) long Micro Chewblet™ ice
- quiet production without noisy harvest cycles

Revolutionary, scale inhibiting design

- produces ice that has 15% the TDS of the incoming water for optimum dispensing and long life in drinks
- quarantines and regularly expels scale producing dissolved solids to dramatically reduce scale buildup
- increases time between descaling and reduces or eliminates the need for expensive scale treatment
- saves 35% water compared to comparable cubers
- three phase HCF1010 models ENERGY STAR® certified

Durable, attractive ice machine

- regular bearing inspection or replacement is not required
- upgraded, easy-to-read LED operating status and diagnostic display

Designed with sanitation in mind

- Agion® silver-based antimicrobial product protection of key ice and water contact components²
- floatless, sealed design inhibits formation of biofilms
- semi-automatic cleaning and sanitizing system

Warranty

- 3 years parts and labor, 5 years compressor parts³

Remote monitoring with Open Kitchen™

- provided in partnership with Powerhouse Dynamics (separate subscription required)
- real-time alerts and notifications
- remote diagnostics to maximize equipment uptime
- connects with equipment across other Middleby brands

Certifications



Short form specification:

Ice machine to be a Follett® Horizon Elite ice machine model _____ [Insert size/series, condenser type and installation/mounting, from model number guide] capable of producing compressed nugget ice using an efficient, sanitary horizontal evaporator/auger system and delivering ice by a flexible wire reinforced transport tube to □ ice storage bin, □ ice and water dispenser, □ ice and beverage dispenser, □ drop-in dispenser or □ Ice Manager™ diverter valve system, slide-out evaporator with utility docking station, front-mounted unit status display, evaporator water inlet at harvest end with automatic flush while producing ice, and semi-automatic cleaning and sanitizing system, plus all the features listed below and mounting/performance-enhancing accessories checked.

Model configurations					
For use with ¹	Install/mount	Condenser	V/Hz/Ph	Item number ² 1010 series	Item number ² 1410 series
ice storage bin	top mount	with	115/60/1 ⁴	HCD1010RBT	HCD1410RBT
		without	115/60/1	HCD1010NBT	HCD1410NBT
	RIDE	with	115/60/1 ⁴	HCD1010RBS	HCD1410RBS
		without	115/60/1	HCD1010NBS	HCD1410NBS
Follett Vision™ undercounter ice and beverage dispenser	RIDE	with	115/60/1 ⁴	HCD1010RVS	HCD1410RVS
		without	115/60/1	HCD1010NVS	HCD1410NVS
countertop ice and beverage dispenser (by others)	top mount ³	with	115/60/1 ⁴	HCD1010RHT	HCD1410RHT
		without	115/60/1	HCD1010NHT	HCD1410NHT
	RIDE	with	115/60/1 ⁴	HCD1010RHS	HCD1410RHS
		without	115/60/1	HCD1010NHS	HCD1410NHS
drop-in dispenser (by others)	RIDE	with	115/60/1 ⁴	HCD1010RJS	HCD1410RJS
		without	115/60/1	HCD1010NJS	HCD1410NJS
Ice Manager diverter valve system	RIDE	with	115/60/1 ⁴	HCD1010RMS	HCD1410RMS
		without	115/60/1	HCD1010NMS	HCD1410NMS

¹ Ordered separately.
² For Micro Chewblet ice, replace second character (C) with an M e.g. HMD1010RBT. Not for use with Ice Manager.
³ Requires top kit (see page 5 for part number).
⁴ Condensing unit is 208-230/60/1. For three phase remote condensing unit, 208-230/60/3, replace third character (D) with F e.g. HCF1010RBT.

¹ Independent third party studies. Contact Follett for details.

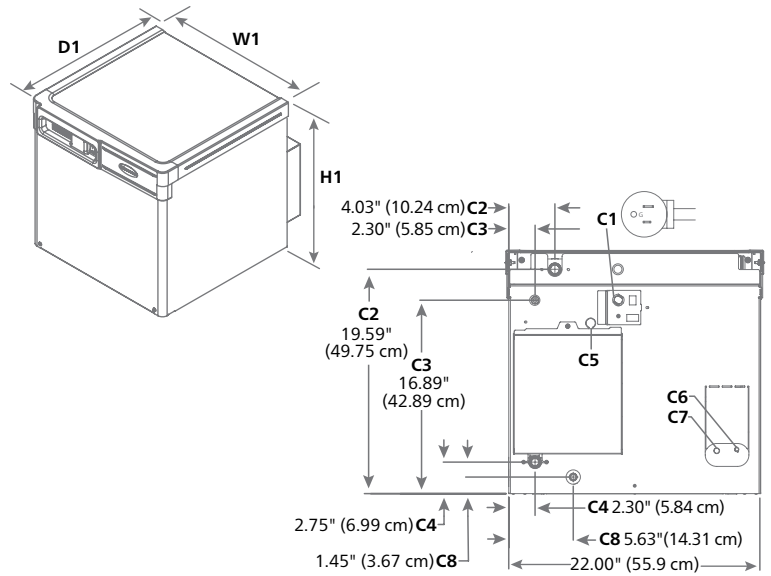
² Disclaimer: Antimicrobial protection is limited to the treated components and does not treat water or ice.

³ Refer to price list for additional warranty information.

Accessories

- Top kit for ice and beverage dispensers (page 5)
- Water filters (refer to form# 9905)
- Wall mount bracket (item# 00997098)
- Ice machine stand, height-adjustable (item# 00997080)
- Timer to control one or two ice machines (item# 00967265)
- Longer ice transport tube (refer to the price list, form# 4025)
NOTE: 10' (3 m) provided as standard for RIDE model.
- Sleep cycle kit for improved energy efficiency and component life. For countertop dispenser applications for models ending in HS and HT (item# 01338276).
- Insulated refrigeration lines (not pre-charged) for 1010R and 1410R
 - 35' (11 m) (item# 00193227)
 - 50' (50 m) (Item# 01262328)
- SafeCLEAN Plus™ ice machine cleaner
 - 1 x 8 oz (237 ml) bottle (item# 01147826)
 - 6 x 8 oz (237 ml) bottles (item# 01149954)
 - 24 x 8 oz (237 ml) bottles (item# 01149962)
- SaniSponge™, 24 sanitary sponges (item# 01075431)
- Three year remote monitoring subscription for Open Kitchen
NOTE: For serial number Q34181 and above.
 - For first piece of equipment at location (item# MDD-1003)
 - For subsequent pieces of equipment at location (item# MDD-1004)
- For additional accessories, refer to form# 4025

Dimensional drawing



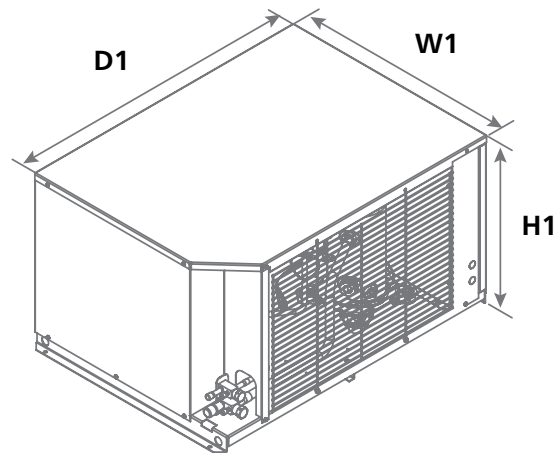
Specification, evaporator unit

W1 Width	22.70" (57.7 cm) Fits on 22.00" wide dispensers
D1 Depth	1010 series – 22.50" (57.2 cm) 1410 series – 24.50" (62.2 cm)
H1 Height	21.25" (53.9 cm)
Clearance	1.00" (2.54 cm) top, left and right
C1 Electrical (115 V/60/1)	5 amps, requires dedicated 15 amp circuit, 6' (1.8 m) cord, NEMA 5-15 plug
Operating power	0.6 kW
C2 Ice transport tube	see page 7 for details
C3 Water inlet	3/8" OD push-in water inlet – internal connection
C4 Drain	3/4" MPT, 1" drain required. See page 7 for details.
C5 Ice bin signal cord	for Vision applications only
C6 Liquid line	3/8"
C7 Suction line	5/8"
C8 Auxiliary drain (required)	3/8" OD push-in
Air temperature	50 -100 F (10 - 38 C)
Water temperature	45 - 90 F (7 - 32 C)
Potable water pressure	10 - 70 psi (69 - 483 kPa)
Ice production	see ice production chart on page 8
Energy consumption	1010 single phase – 4.68 kWh 90 F (32 C) air, 1010 three phase – 3.57 kWh 70 F (21 C) water 1410 single phase – 4.63 kWh per 100 lb (45.4 kg) ice
Water consumption	1010 series – 12.0 gal (47 L) of potable water per 100 lb (45.4 kg) of ice (per AHRI test standards). 12.4 gal (46.9 L) at low TDS flush setting 1410 series – 12.5 gal (47 L) of potable water per 100 lb (45.4 kg) of ice (per AHRI test standards). 12.3 gal (46.5 L) at low TDS flush setting
Refrigerant	R404a
BTU/hr (Kcal/hr) at 0 F (-18 C) evaporator, 90 F (32 C) ambient air	1010 series – 7,700 (1,940) 1410 series – 10,000 (2,520)
Rack systems EPR valve - set to EPR valve to be supplied by installer	0 F (-18 C)
Approximate ship weight	1010 series – 195 lb (88 kg) 1410 series – 205 lb (93 kg)
Approximate net weight	1010 series – 157 lb (71 kg) 1410 series – 167 lb (76 kg)

NOTE: For indoor use only. Outdoor installation of low side is not recommended and will void warranty.

Dimensional drawing

1010/1410 single phase 1010 three phase



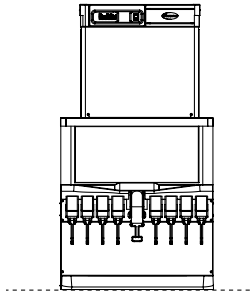
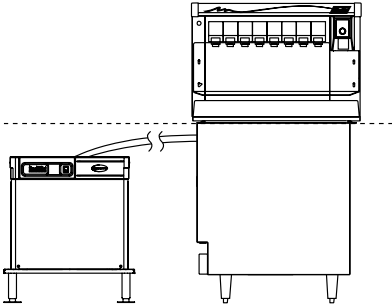
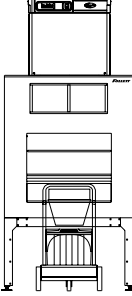
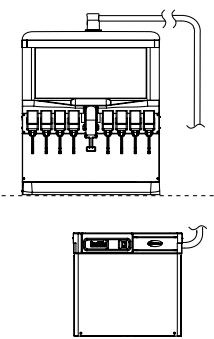
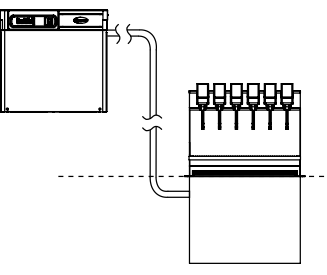
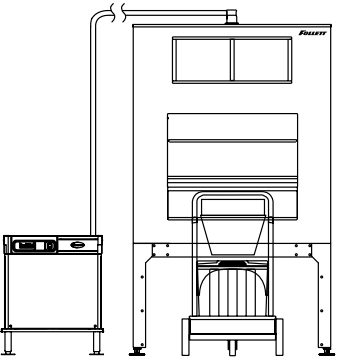
Specification, condenser unit

W1 Width	All models – 39.90" (101 cm)
D1 Depth	All models – 28.50" (72.4 cm)
H1 Height	All models – 21.50" (54.6 cm)
Electrical	1010 and 1410 single phase – 208-230/60/1 1010 three phase – 208-230/60/3
Operating power	1010 single phase – 1.46 kW 1010 three phase – 1.42 kW 1410 single phase – 2.2 kW
Minimum circuit ampacity	1010 and 1410 single phase – 10.6 A 1010 three phase – 9.7 A
Maximum overcurrent protection	1010 single phase – 15 A 1010 three phase – 15 A 1410 single phase – 25 A
Outdoor condensing unit operating limits (air temperature)	min -20 F (-29 C) max 120 F (49 C)
Maximum refrigerant line run length	100' (30.5 m)
Maximum line rise above evaporator	35' (10.7 m)
Evaporator mounting above condenser	15' (4.6 m)
Maximum refrigeration line drop without oil trap	15' (4.6 m)
Refrigerant charge	1010 and 1410 single phase – 12 lb 1010 three phase – 12.5 lb required at installation
Approximate ship weight	1010 single and three phase – 260 lb (118 kg) 1410 single phase – 270 lb (123 kg)
Approximate net weight	1010 single and three phase – 222 lb (101 kg) 1410 single phase – 232 lb (105 kg)

NOTE: The entire liquid line should be insulated separately from the suction line.

1 – Locating the ice machine

Horizon Elite remote Chewblet ice machines allow top-mounting or mounting in a base cabinet, on a wall or on a floor stand up to 75' (22.9 m) from the dispenser or ice bin with RIDE technology. In-cabinet mounting (RIDE applications) require special attention to service access, unit ventilation and ice tube runs (see pages 6-7).

<p>Top mounting – ice and beverage dispensers (by others)</p>	<p>RIDE model – Follett low-profile Vision ice and beverage dispensers</p>	<p>Top mount on Follett ice storage bins</p>
		
<p>Important specifier notes</p> <ol style="list-style-type: none"> 1. Dispenser must be compatible with nugget ice. See page 5 for compatible ice and beverage dispenser models and top kit numbers. 2. Verify ceiling or soffit height to ensure sufficient top clearance. 	<p>Important specifier notes</p> <ol style="list-style-type: none"> 1. See page 6 for critical clearance requirements. 2. Ice transport tube ships with Vision ice and beverage dispenser (Vision applications only). 	<p>Important specifier notes</p> <ol style="list-style-type: none"> 1. See form# 8590 for bin sizing. 2. Verify ceiling or soffit height to ensure top clearance. 3. Locate floor sink or grate and drains in front of storage bin. 4. Do not position bin drain lines to block Ice•Devlce™ bin cart.
<p>RIDE model – ice and beverage dispensers (by others)</p>	<p>RIDE model – drop-in beverage dispensers (by others)</p>	<p>RIDE model – Follett ice storage bins</p>
		
<p>Important specifier notes</p> <ol style="list-style-type: none"> 1. Dispenser must be compatible with nugget ice. Compatible dispensers include Cornelius DB/ED/DF150/175, Lancer 4500-22N, FS-16N and FS-44N, Servend MD150/175/200/250 SV150/175/200/250 and Follett Symphony Plus™ 110CM, as well as dispensers listed on page 5. 2. Coca-Cola Freestyle 7100 requires top adapter IC Code 46751 and ice kit IC Code 46430 only, and must be ordered from Coca-Cola. Coca-Cola Freestyle 9100 requires top kit HSF26SC. Consult with Coca-Cola and Follett to qualify application prior to ordering. 3. RIDE application is approved only for Pepsi Spire 3.0, 5.0 and 4.1 designed for top mount ice machines and requires MSP24SC for 3.0 and MSP30SC for 5.0 and 4.1, ordered separately. For manual fill versions of Pepsi Spire 3.0, 5.0 and 4.1, contact factory. 4. See page 6 for critical clearance requirements. 	<p>Important specifier notes</p> <ol style="list-style-type: none"> 1. Compatible with the following dispensers: Cornelius 1522, 1722, 2323 and Lancer 2200, 2300, 23300. 2. Requires 12.00" (30.5 cm) of access space for installation on transport tube side. 3. See page 6 for critical clearance requirements. 	<p>Important specifier notes</p> <ol style="list-style-type: none"> 1. See form# 8590 for bin sizing. 2. Locate floor sink or grate and drains in front of storage bin. 3. Do not position bin drain lines to block Ice•Devlce bin cart.

1 – Locating the ice machine (continued)

Top mounting – compatible ice and beverage dispensers ¹					
Manufacturer	Model Number	Width in (cm)	Depth ² in (cm)	Height ³ in (cm)	Top kit
Coca-Cola dispensers	Freestyle 7000	30.10 (76.5)	33.11 (79.0)	47.00 (119.4)	H22F30-F ^{4,5}
	Freestyle 7100	30.00 (76.2)	33.80 (85.8)	47.00 (119.4)	H22F30-F ^{4,6}
	Freestyle 9000	25.50 (64.8)	35.50 (90.2)	73.75 (187.3)	H22F24-F ^{4,7}
	Freestyle 9100	25.50 (64.8)	39.25 (99.7)	77.25 (196.2)	H22F26-F ⁴
Cornelius dispensers	DB/ED/DF 200 series	30.00 (76.2)	30.00 (76.2)	34.38 (87.3)	H22C30-F or H22C30-X ⁸
	DB/ED/DF 250 series	30.00 (76.2)	30.00 (76.2)	38.38 (97.5)	H22C30-F or H22C30-X ⁸
	DB/ED/DF 300 series	44.00 (111.8)	30.00 (76.2)	34.00 (86.4)	H22C44-(F or B) ⁹
	FlavorFusion/Overload	30.00 (76.2)	33.13 (84.2)	39.38 (100.0)	H22C30-F-FF
	IDC215	30.00 (76.2)	33.13 (84.2)	39.38 (100.0)	H22C30-F-IDC
	IDC255 and Pro Fast Gate	30.00 (76.2)	33.13 (84.2)	36.38 (92.4)	H22C30-F-IDC
	IDC Pro	30.00 (76.2)	33.13 (84.2)	40.25 (102.2)	H22C30-X-PRO ¹⁰
Lancer dispensers	4500-30N	30.00 (76.2)	30.50 (77.5)	36.50 (92.7)	H22L30-(F or B) ⁹
	FS-22N	22.00 (55.9)	30.50 (77.5)	42.13 (107.0)	H22L22-F
	FS-30N	30.00 (76.2)	30.50 (77.5)	42.13 (107.0)	H22L30-(F or B) ⁹
	Bevariety	30.00 (76.2)	31.00 (78.7)	37.75 (95.9)	H22L30-F-STP
	Sensation 30"	30.00 (76.2)	31.00 (78.7)	38.25 (97.2)	H22L30-F-STP
	Sensation 44"	44.00 (111.8)	31.00 (78.7)	39.38 (100.0)	H22L44-F-STP
	Touchpoint	32.50 (82.55)	33.70 (85.6)	40.00 (101.6)	H22L30-F-STP
Pepsi dispensers	Spire 3.0	27.00 (68.6)	35.00 (88.9)	38.12 (96.8)	H22P24-F
	Spire 5.0 / 4.1	30.50 (77.5)	36.00 (91.4)	42.75 (108.6)	H22P30-F
Servend dispensers	MDH-302	42.75 (108.6)	31.00 (78.7)	32.38 (82.2)	H22S44-(F or B) ⁹
	MDH-402	60.00 (152.4)	30.50 (77.5)	32.38 (82.2)	H22S60-(F or B) ^{9,11}

¹ All approved dispensers can be filled with a RIDE model Horizon Elite ice machine without a top kit except Pepsi Spire 3.0, 5.0 and 4.1, see page 4 for details.

² Requires minimum 0.50" (1.27 cm) clearance between back of dispenser and wall.

³ Net height after installation of top kit (excluding height of ice machine).

⁴ Consult with Coca-Cola and Follett to qualify application prior to ordering.

⁵ Top adapter IC Code 46412 and ice kit IC Code 46430 must also be ordered from Coca-Cola.

⁶ Top adapter IC Code 46753 and ice kit IC Code 46430 must also be ordered from Coca-Cola.

⁷ Adapter must also be ordered from Coca-Cola. KO IC Code: 46010 (Silver), 46011 (Red) or 46012 (Black).

⁸ Top designed with flexibility to accommodate front or back mounting.

⁹ Specify "F" for front facing, or "B" for backward facing units.

¹⁰ Top designed with flexibility to accommodate front or back mounting.

¹¹ 60- inch models: Please specify number of Horizon Elite ice machines and location. D = 2; R = 1 on right side; L = 1 on left side.

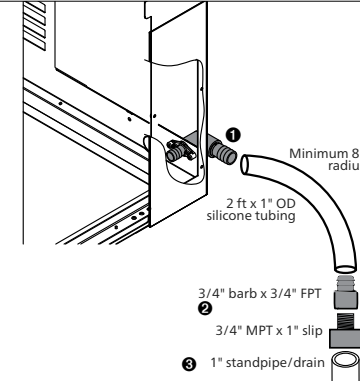
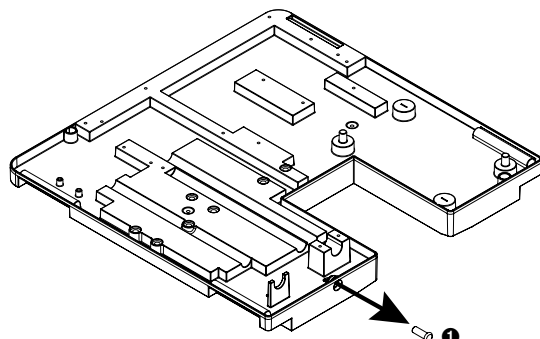
2 – Undercounter/in-cabinet mounting

Cabinet details	
<p>Important specifier notes</p> <ol style="list-style-type: none"> 1. Cabinet door opening must meet minimum size requirements shown and be free of obstructions to allow ice machine to slide out (no lip or utilities to block removal). 2. Cabinet base must be capable of supporting ice machine and allow ice machine to rest flat on cabinet bottom. 3. No counter supports, electric or plumbing can run in front of the ice machine. 	

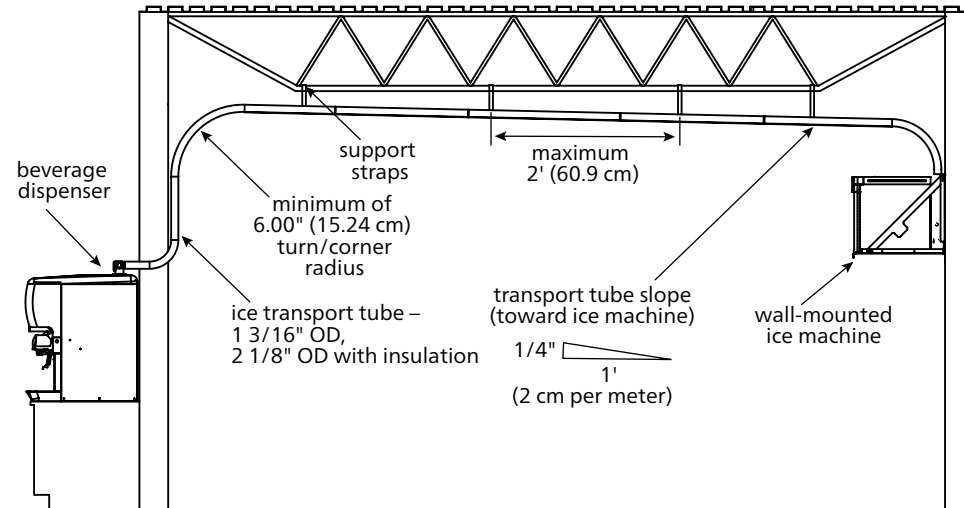
3 – Horizon Elite ice machine mounting accessories

Optional wall mount bracket	Optional machine stand	Important specifier notes
		<ol style="list-style-type: none"> 1. For secure wall mounting, specify optional wall mount bracket. 2. Wall and fasteners must support the weight of the ice machine, bracket, supply water and ice. Use of a backing board may be required with hollow wall construction. 3. Machine stand mounting adds 6.88" (17.5 cm) to height of ice machine. 4. No dips in tube routing allowed. 5. Ice transport tube needs minimum 1/4" per foot (2 cm per meter) pitch toward ice machine and should be secured to prevent dips and traps from forming.

4 – Horizon Elite drains - specifier guidelines

<p>Ice machine drain plumbing</p>  <p>Minimum 8" radius</p> <p>2 ft x 1" OD silicone tubing</p> <p>3/4" barb x 3/4" FPT</p> <p>3/4" MPT x 1" slip</p> <p>1" standpipe/drain</p>	<p>Important specifier notes: Where code allows, follow recommendation below.</p> <ol style="list-style-type: none"> 1. Apply Teflon tape to 3/4" male outlet ice machine fitting. Thread on either the provided straight 3/4" barb adapter or a 90 degree adaptor. Connect the supplied 2' (0.61 m) silicone hose to the 3/4" drain barb ❶. 2. It is recommended that the silicone hose be routed down into a 1.5" or 2" standpipe/drain. The minimum drain size for the ice machine is 1". <p>NOTE: 3/4" to 1" PVC adapter fittings are provided if a larger drain size is not possible ❷ ❸.</p> <p>NOTE: Minimum 8" radius on silicone drain line. Drain line from the ice machine must have at least 1/4" per foot pitch (6.4 mm/0.3 m).</p> <p>NOTE: Standpipe/drain provided by others. All other components provided with ice machine.</p>
<p>Chassis drain plumbing – Required</p> 	<p>Important specifier notes: Where code allows, follow recommendation below.</p> <ol style="list-style-type: none"> 1. Remove white 3/8" plug from rear push-in fitting ❶. 2. Route 3/8" OD drain tubing (preferably copper) through rear of docking station and fully insert into chassis base push-in fitting. Route into drain standpipe. 3. Gravity drain. Ensure 3/8" OD tubing slopes down into drain standpipe without forming a trap.

5 – Horizon Elite ice tube runs - specifier guidelines

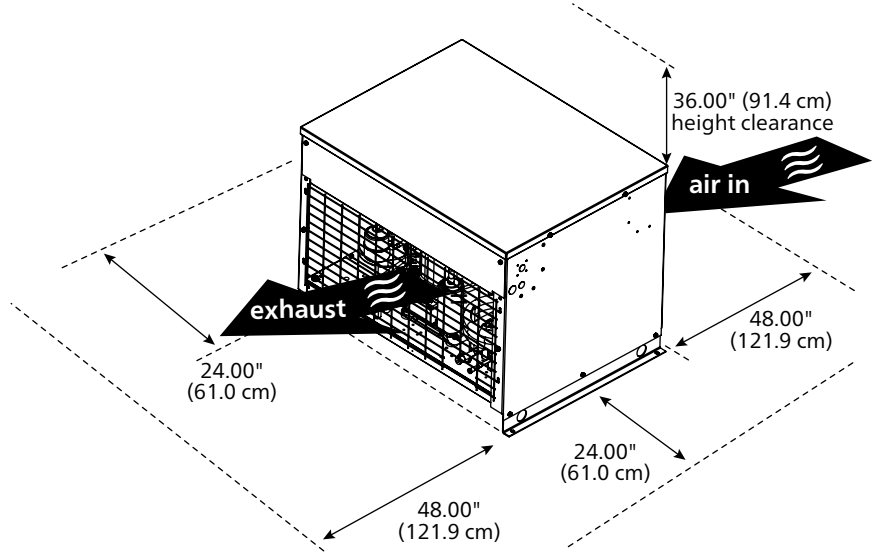
<p>Long tube runs for RIDE remote ice delivery equipment</p>  <p>beverage dispenser</p> <p>support straps</p> <p>minimum of 6.00" (15.24 cm) turn/corner radius</p> <p>ice transport tube – 1 3/16" OD, 2 1/8" OD with insulation</p> <p>maximum 2' (60.9 cm)</p> <p>transport tube slope (toward ice machine) 1/4" 1' (2 cm per meter)</p> <p>wall-mounted ice machine</p>	<p>Important specifier notes</p> <ol style="list-style-type: none"> 1. 75' (22.9 m) maximum ice transport tube run. 2. Tubing routing bends must have a 6.00" (15.24 cm) radius or larger. 3. Dips and traps are not allowed. A 3" (7.62 cm) or larger PVC pipe chase is suggested to support the tubing run. If not supported, secure insulated ice transport tube at least every 2' (0.61 m) to prevent drips and traps. 4. Relative humidity levels above 80% in areas where the ice machine or ice transport tube is located may produce excessive condensation that will cause water damage. 5. Contact factory for recommendations on running tubing through a decorative soffit or chase.
---	--

Remote condensing unit

Condensing unit installation specifications

Important specifier notes

1. Provide front, back, top and side clearances as shown.
2. The maximum refrigerant line run length is 100' (30.5 m). Installations require 12 lb for 1010/1410 single phase and 12.5 lb for 1010 three phase.
3. The maximum line rise above the evaporator is 35' (10.7 m). Condensing unit above evaporator unit – 35' (10.7 m) (installations with rise over 20' (6.1 m) require additional suction line s-trap at midpoint rise) and p-trap at top of riser.
4. The evaporator can only be mounted a maximum of 15' (4.6 m) above the condensing unit.
5. P-trap required at bottom of suction riser.



Ice production – Horizon Elite 1010 series, air-cooled models

Inlet water temperature F (C)	Ambient air temperature F (C)					lb (kg) production in 24 hr
	60 (16)	70 (21)	80 (27)	90 (32)	100 (38)	
50 F (10 C)	1051 (477)	978 (444)	906 (411)	834 (379)	763 (346)	
60 F (16 C)	1037 (471)	925 (420)	855 (388)	796 (361)	737 (335)	
70 F (21 C)	937 (425)	871 (395)	805 (366)	758 (344)	711 (323)	
80 F (27 C)	904 (410)	839 (381)	774 (351)	727 (330)	680 (309)	
90 F (32 C)	872 (396)	807 (366)	743 (337)	696 (316)	648 (294)	

Ice production – Horizon Elite 1410 series, air-cooled models

Inlet water temperature F (C)	Ambient air temperature F (C)					lb (kg) production in 24 hr
	60 (16)	70 (21)	80 (27)	90 (32)	100 (38)	
50 F (10 C)	1474 (669)	1372 (623)	1269 (576)	1212 (550)	1154 (524)	
60 F (16 C)	1385 (628)	1292 (586)	1198 (544)	1148 (521)	1097 (498)	
70 F (21 C)	1296 (588)	1212 (550)	1127 (511)	1083 (492)	1039 (472)	
80 F (27 C)	1239 (562)	1155 (524)	1072 (487)	1030 (468)	988 (449)	
90 F (32 C)	1181 (536)	1099 (499)	1017 (462)	976 (443)	936 (425)	

ENERGY STAR and the ENERGY STAR mark are registered trademarks owned by the U.S. Environmental Protection Agency.
 Agion is a registered trademark of Sciescent LLC.
 Open Kitchen is a trademark of Powerhouse Dynamics.
 HORIZON ELITE, ICE•DEVICE, ICE MANAGER, MICRO CHEWBLET, SAFECLEAN PLUS, SANISPONGE, SYMPHONY PLUS and VISION are trademarks of Follett Products, LLC.
 CHEWBLET, FOLLETT and RIDE are registered trademarks of Follett Products, LLC, registered in the US.
 Follett reserves the right to change specifications at any time without obligation. Certifications may vary depending on country of origin.

Remote 1010, 1410 series ice machine