

Double door Ice•Device™

ice storage, dispensing and transport systems



Gravity ice dispense eliminates scooping



Features

Designed with speed, safety and sanitation in mind

- elevated ice storage bin uses gravity to dispense ice through a chute seven times faster than scooping
- dispensing directly into a cart eliminates scooping by hand to help prevent cross contamination
- industry exclusive SmartGATE® ice shield controls the flow of ice to reduce spills and limit contact with ice
- locks in three positions and returns easily to full down position

Fresher ice

- first ice in is first ice out

Ice compatibility

- compatible with most non-flake ice types, including customer preferred Chewblet® ice and cube ice
- dual access doors allow for dispensing two different ice types with use of center partition accessory

Durable, user-friendly construction

- full stainless bin exterior and base
- corrosion-resistant poly bin liner and custom-cut stainless steel top
- heavy duty "stay-open" PowerHinge™ door hinge – easy one hand open and close without door catches

SmartCART™ 75 ice cart fits through narrow aisles

- oversized back wheels for easy maneuverability
- the two SmartCART 75 ice carts hold 150 lb (68 kg) in six Totes™ ice carriers

Easy installation

- comes with ice access door assembly attached to body of bin
- drain elbow with 1.00" (2.54 cm) barb fitting provided

Warranty

- 5 years parts and labor on cabinet exterior, includes top and trim, interior liner, and all other integral components
- 3rd party ice machines must be installed and operated in accordance with the manufacturer's instructions
- visit follettice.com for complete warranty detail

Includes:

- custom-cut stainless steel top
- two SmartCART 75 ice transport carts, each with three removable Totes ice carriers (refer to chart on reverse for other configurations)
- 82 oz plastic ice scoop
- paddle and rake tool set with hanging bracket

Accessories

Additional carts and accessories (refer to form# 3435)

Mokry Dwór 26C 83-021 Wiślina, Poland
+48 (58) 785-6140 | Fax: +48 (58) 785-6159
folletteurope.com

801 Church Lane | Easton, PA 18040, USA
1.610.252.7301 | Fax: +1.610.250.0696 | follettice.com

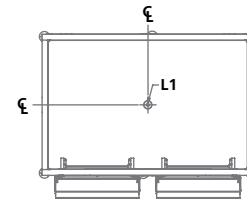
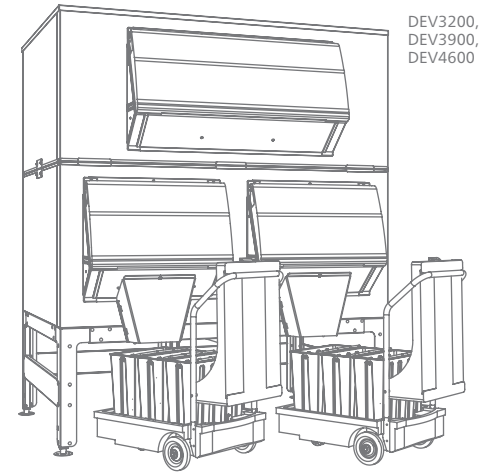
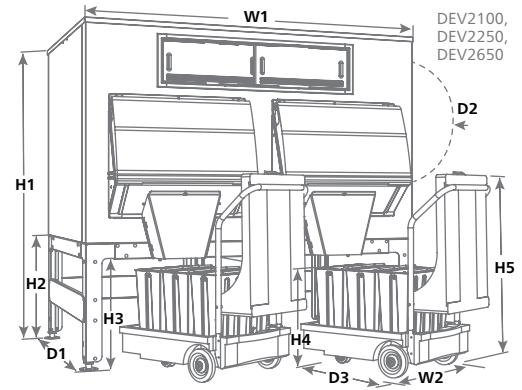
FOLLETT®

Specification

Maximum bin capacity ¹	see model table below
W1 Bin width	72.00" (182.9 cm)
D1 Bin depth ²	see model table below
D2 Bin depth with door fully extended	add 18.50" (47.0 cm) to D1
H1 Bin height ³ (adjustable)	see model table below
H2 Bin base height (adjustable)	24.75" (62.9 cm)
H3 Bin base clearance (adjustable)	21.62" (54.9 cm)
Required door access ⁴	see model table below
W2 Cart width	21.50" (54.6 cm)
D3 Cart depth	34.00" (86.4 cm)
H4 Cart height at front edge	20.50" (52.1 cm)
H5 Cart height with lid up	38.62" (98.1 cm)
L1 Drain ⁵	1.00" FPT, center of bin bottom (drain elbow supplied)
Dispense rate	up to 5 lb (2.3 kg) per second
Ice compatibility	cube ice and Chewblet ice
Approximate ship weight	see model table below
NOTE: For indoor use only	

SHORT FORM SPECIFICATION: Ice•DevIce system to be Follett model _____ elevated bin, base and cart system with front ice chute and industry-exclusive SmartGATE ice shield. Bin to hold approximately _____ lb (kg) of ice. Exterior finish of bin and base to be full stainless front, sides, back and bottom. Bin liner on all models to be heavy-duty, non-corroding polyethylene. Bin liner to have non-corroding polyethylene walls and stainless steel bottom. Bin insulation to be CARB compliant non-HFC foam. Bin top to be stainless and custom-cut for ice machine(s) to be used. Lower door assembly to include non-corroding polyethylene ice access door assembly, polyethylene lift door with PowerHinge door hinge to eliminate gaskets and latches, and inner SmartGATE ice shield to positively control ice flow into ice access door assembly area. Entire lower door assembly to be easily removable for installation through narrow doors. Where used, upper inspection windows to be molded double-wall plastic to increase durability while minimizing meltage and condensation. All models to be equipped with flanged, adjustable feet, paddle and rake tool set. NSF-listed.

Dimensional drawing



ICE•DEVICE, POWERHINGE, SMARTCART and TOTES are trademarks of Follett Products, LLC. CHEWBLET, FOLLETT and SMARTGATE are registered trademarks of Follett Products, LLC, registered in the US. Follett reserves the right to change specifications at any time without obligation. Certifications may vary depending on country of origin.

Model	with SC75 cart	with Cambro cart	with bagger kit	Maximum bin capacity lb (kg) ¹	Cubic volume cu ft (m)	Depth ² - D1 in (cm)	Height ³ - H1 in (cm)	Required door access ⁴ in (cm)	Approximate ship weight lb (kg)
DEV2100SG-72	-75	-ICS125L	-BG	2110 (958)	67.1 (1.90)	40.00 (101.6)	75.50 (191.8)	41.00 (104.1)	841 (381)
DEV2250SG-72	-75	-ICS125L	-BG	2250 (1022)	71.5 (2.02)	48.00 (121.9)	69.50 (176.5)	46.00 (116.8)	863 (344)
DEV2650SG-72	-75	-ICS125L	-BG	2650 (1203)	84.0 (2.38)	40.00 (101.6)	85.50 (217.2)	41.00 (104.1)	943 (428)
DEV3200SG-72	-75	-ICS125L	-BG	3240 (1471)	102.7 (2.90)	48.00 (121.9)	88.50 (224.8)	35.00 (88.9)	1144 (519)
DEV3900SG-72	-75	-ICS125L	-BG	3940 (1789)	125.1 (3.54)	48.00 (121.9)	100.50 (255.3)	44.00 (111.8)	1263 (574)
DEV4600SG-72	-75	-ICS125L	-BG	4640 (2107)	147.4 (4.17)	48.00 (121.9)	112.00 (284.5)	47.00 (119.4)	1276 (579)

Notes:

- ¹ Computed on cubic volume of bin. Does not reflect cart capacity or voids that can occur due to pyramiding.
- ² Add 8.00" (20.32 cm) to depth (D) for lower door assembly (easily removed for installation access).
- ³ Special top required for ice machines weighing more than 1000 lb (454 kg). Add 2.12" (5.38 cm) to height. Contact factory.
- ⁴ Required clearance for installation access through doors (may require removal of door assembly).
- ⁵ Follett recommends installation of a floor drain with grate with all ice storage bins. Consider cart positioning when locating the drain. Clearance required to pull cart from below bin — minimum 36.00" (91.4 cm), optimal 40.00" (101.6 cm).

Double door Ice•DevIce

