



SensorSAFE not recommended for use with clear containers or for applications in direct sunlight

# Symphony Plus™ ice and water dispenser

## 25 HI series wall mount with Chewblet® ice machine

### Features

25 lb (11.4 kg) ice storage capacity

Removable air-cooled ice machine with up to 425 lb (193.0 kg) daily production of Chewblet ice

- soft, chewable, compressed nugget ice is ideal for patient care
- Quiet Night™ sleep mode turns off ice machine when idle

Designed with sanitation in mind

- automatic self-flushing of ice machine removes impurities
- Agion® silver-based antimicrobial provides protection of key ice and water contact components<sup>1</sup>
- SensorSAFE™ infrared ice dispense

Dependable design, easy to service and clean

- cleaning and sanitizing of entire machine takes only 1 hour
- LED control board provides at-a-glance machine status
- panels are easily removed for accessibility to all components
- ice machine parts are common across all Symphony Plus dispensers
- stainless steel evaporator and auger deliver long life

Environmentally responsible

- R290 refrigerant has a low environmental impact and nominal global warming potential (GWP)
- continuous ice making process uses less electricity and water

Durable, attractive dispenser

- stainless steel cabinet with accent trim
- poly drain pan, grille and dispenser lid are corrosion-resistant
- secured top lid

Easy installation

- comes fully assembled and installs with three easy connections – electric, water and drain

Warranty

- 3 years parts and labor, 5 years compressor parts<sup>1</sup>

Certifications (applied to all products unless otherwise noted)



Model configurations				
Ice storage capacity	Configuration	Dispense	Ice machine cooling	Item number
<b>25 lb (11.4 kg)</b>	ice and water	SensorSAFE	air	<b>25HI414A-S0-00</b>
	ice-only	SensorSAFE	air	<b>25HI414A-SI-00<sup>†</sup></b>
	ice and water	SensorSAFE	air	<b>25HI414A-S0-DP<sup>†</sup></b>
	ice-only	SensorSAFE	air	<b>25HI414A-SI-DP<sup>†, 1</sup></b>

<sup>†</sup> ENERGY STAR® certified

<sup>1</sup> Units configured with drain pan.



Shown without drain pan

Ice production		
Temperatures air/water	70/50 F (21/10 C)	90/70 F (32/21 C)
Air-cooled	425 lb (193.0 kg)	340 lb (154.4 kg)
Energy consumption per 100 lb (45.4 kg) ice	N/A	6.0 kWh air-cooled
Water consumption	12.0 gal (45.4 L) of potable water per 100 lb (45.4 kg) of ice	

### Options and accessories<sup>2</sup>

Water filters (refer to form# 1058 and 8320)

Pressurized water sanitizing kits (refer to form# 1068)

SafeCLEAN Plus™ ice machine cleaner

1 x 8 oz (237 ml) bottle (item# 01147826)

6 x 8 oz (237 ml) bottles (item# 01149954)

Carton of 24 x 8 oz (237 ml) bottles (item# 01149962)

Nu-Calgon® IMS-III sanitizer (US only), 16 oz (0.5 L) bottle (item# 00979674)

Additional Symphony Plus accessories (refer to price list)

<sup>1</sup> Refer to form# 4025 or 2155 for additional warranty information.

<sup>2</sup> Certifications do not apply to options and accessories.

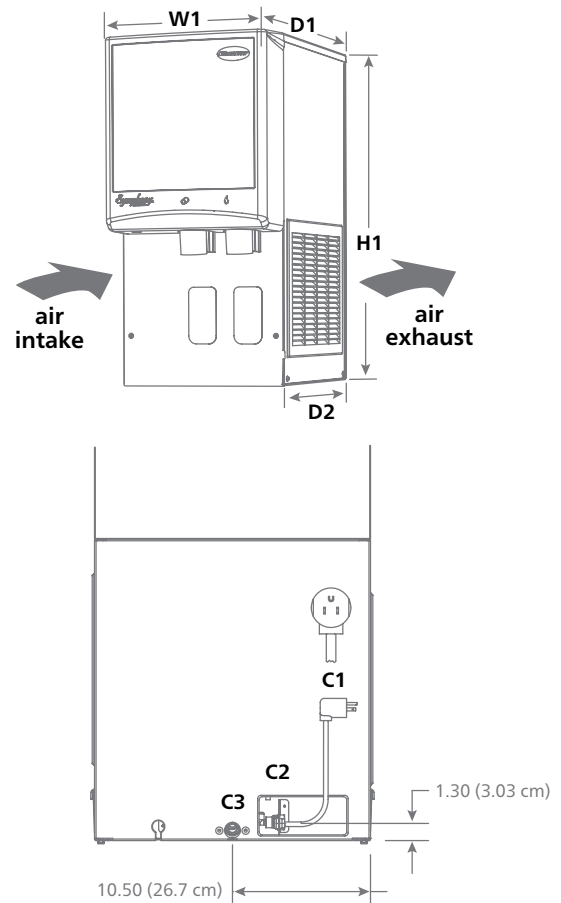
## Specification

Ice storage capacity	25 lb (11.4 kg)
<b>W1</b> Width	21.50" (54.6 cm)
<b>D1</b> Depth, upper cover	24.50" (62.2 cm)
<b>D2</b> Depth, bottom	17.00" (43.2 cm)
<b>H1</b> Height	36.50" (92.7 cm)
Ventilation clearance	air-cooled models only – 3.00" (7.62 cm) right, left and rear, 4.00" (10.16 cm) top
Service clearance	12.00" (30.5 cm) top, 6.00" (15.24 cm) left side
<b>C1</b> 115 V/60/1 electrical	7.2 amps, 6.6' (2.0 m) cord with NEMA 5-15 90° hospital-grade plug
<b>C2</b> Potable water inlet	3/8" FPT
<b>C3</b> Drain	3/4" MPT
Refrigerant	R290, 3.49 oz (99 g)
Utility connection location	through back
<b>K1</b> Minimum span – wall bracing required in most applications	16.00" (40.6 cm) on center NOTE: Wall mount bracket standard
<b>K2</b> Maximum height from sink	18.00" (45.7 cm)
<b>K3</b> Minimum distance from wall to front of sink	30.00" (76.2 cm)
<b>K4</b> Minimum sink width	21.00" (53.3 cm) centered on dispenser, 14.50" (36.8 cm) centered on chutes
<b>K5</b> Minimum sink depth	16.00" (40.6 cm)
Air temperature	50 - 100 F (10 - 38 C) indoor use only
Water temperature	45 - 90 F (7 - 32 C)
Water pressure	10 - 70 psi (69 - 483 kpa)
Heat rejection	5000 BTU/hr
Water consumption	12.0 gal (45.4 L) of potable water per 100 lb (45.4 kg) of ice
Approximate net weight	199 lb (90 kg)
Approximate ship weight	239 lb (108 kg)
NOTE: For indoor use only	

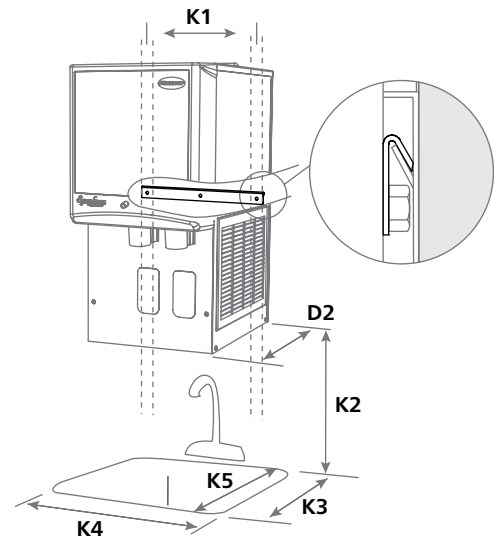
SHORT FORM SPECIFICATION: (Choose one) \_\_\_ Ice and water or \_\_\_ ice-only dispenser to be Follett® automatic load in wall mount configuration, with 25 lb (11.4 kg) of storage. Environmentally responsible R290 ice machine to be air-cooled and to be removable for cleaning and maintenance. Ice machine to produce approximately 425 lb (193.0 kg) of Chewblet compressed nugget ice at air temp. of 70 F (21 C), water temp. of 50 F (10 C). Ice machine equipped with automatic self-flushing and Quiet Night sleep mode. Dispenser to have automatic bin level control to start and stop ice machine and lightweight plastic top that allows full access to the ice storage area for easy cleaning and manual loading of back-up ice. Storage area to be insulated with CARB compliant non-HFC foam. 6.6' (2.0 m) cord and NEMA 5-15 90° hospital-grade plug provided. NSF and UL listed.

## 25 HI series wall mount

## Dimensional drawing



## Wall mount detail



<sup>1</sup> Disclaimer: Antimicrobial protection is limited to the treated components and does not treat water or ice.

ENERGY STAR and the ENERGY STAR mark are registered trademarks owned by the U.S. Environmental Protection Agency.  
Agion is a registered trademark of Sciessent LLC.  
Calgon is a licensed tradename distributed by Nu-Calgon, in the United States.  
SYMPHONY PLUS, SENSORSAFE, SAFECLEAN PLUS and QUIET NIGHT are trademarks of Follett Products, LLC.  
CHEWBLET and FOLLETT are registered trademarks of Follett Products, LLC, registered in the US.  
Follett reserves the right to change specifications at any time without obligation.  
Certifications may vary depending on country of origin.