



Horizon Elite™

remote 1010, 1410, 1412 series Chewblet® ice machine

Features

High performance Horizon Elite ice machines

- automatically transport ice through a tube with RIDE® technology from up to 75' (22.9 m) away
- consumer-preferred Chewblet ice is preferred 2:1 over cube ice
- ice dispenses reliably from ice and beverage dispensers
- quiet production without noisy harvest cycles

Revolutionary, scale inhibiting design

- produces ice that has 15% the TDS of the incoming water for optimum dispensing and long life in drinks
- quarantines and regularly expels scale producing dissolved solids to dramatically reduce scale buildup
- increases time between descaling and reduces or eliminates the need for expensive scale treatment
- uses 35% less water than comparable cubers
- three phase D1010R ENERGY STAR® certified

Durable, attractive ice machine

- regular bearing inspection or replacement is not required
- upgraded, easy-to-read LED operating status and diagnostic display

Designed with sanitation in mind

- Agion® silver-based antimicrobial product protection of key ice and water contact components¹
- floatless, sealed design inhibits formation of biofilms
- semi-automatic cleaning and sanitizing system

Remote monitoring with Open Kitchen™

- provided in partnership with Powerhouse Dynamics (separate subscription required)
- real-time alerts and notifications
- remote diagnostics to maximize equipment uptime
- connects with equipment across other Middleby brands

Warranty

- 3 years parts and labor, 5 years compressor parts²

Certifications (applied to all products unless otherwise noted)



Model configurations			
Production capacity	Description	V/Hz/Ph	Item number
up to 978 lb (444 kg)	air-cooled evaporator unit, for connection to remote condenser 01354059 or 01354067	115/60/1	D1010R
	air-cooled, single phase remote condenser for use with D1010R evaporator unit	208-230/60/1	01354059
	air-cooled, three phase remote condenser for use with D1010R evaporator unit	208-230/60/3	01354067
up to 1371 lb (622 kg)	air-cooled evaporator unit, for connection to remote condenser 01354042	115/60/1	D1410R
	air-cooled, single phase remote condenser for use with D1410R evaporator unit	208-230/60/1	01354042
	air-cooled evaporator unit, for connection to remote condenser F1412CU	115/60/1	D1412R
	air-cooled, three phase remote condenser for use with D1412R evaporator unit	208-230/60/3	F1412CU

Installation kits (required) ³		
Description	Ship wt lb (kg)	Item number
Installation kit for filling ice storage bins	10 (5)	01564590
Installation kit for filling countertop ice and beverage dispensers	10 (5)	01564582
Installation kit for filling Vision™ dispensers	10 (5)	01564632
Installation kit for filling drop-in dispensers	10 (5)	01564640
Installation kit for Ice Manager™ not required. Needed components are ordered and ship with Ice Manager, see form# 1050.	N/A	N/A

Ice transport tube kits for RIDE installations (required), not needed for top mount applications ³		
Description	Ship wt lb (kg)	Item number
For bins, countertop ice and beverage dispensers and drop-in dispensers		
RIDE installations, 10' (3 m)	10 (5)	01560549
RIDE installations, 35' (10.7 m)	22 (10)	01560556
RIDE installations, 80' (24.4 m)	60 (27)	01560564
For Vision dispensers		
RIDE installations, 10' (3 m)	10 (5)	01564657
RIDE installations, 35' (10.7 m)	22 (10)	01564665
RIDE installations, 80' (24.4 m)	60 (27)	01564673

Options and accessories⁴

- Top kit for ice and beverage dispensers (page 5)
- Water filters (refer to form# 1058)
- Wall mount bracket (item# 00997098)
- Ice machine stand, height-adjustable (item# 00997080)
- Timer to control one or two ice machines (item# 00967265)
- Sleep cycle kit for countertop dispenser applications for improved energy efficiency and component life (item# 01338276)
- Insulated refrigeration lines (not pre-charged)
 - 35' (11 m) (item# 00193227) for 1010R and 1410R
 - 35' (11 m) (item# 00977785) for 1412R
 - 50' (50 m) (item# 01262328) for 1010R and 1410R
- SafeCLEAN Plus™ ice machine cleaner
 - 1 x 8 oz (237 ml) bottle (item# 01147826)
 - 6 x 8 oz (237 ml) bottles (item# 01149954)
 - 24 x 8 oz (237 ml) bottles (item# 01149962)
- SaniSponge™, 24 sanitary sponges (item# 01075431)
- Three year remote monitoring subscription and hardware for Open Kitchen (item# MDD-1003) NOTE: For serial# Q34181 and above.
- For additional accessories, refer to form# 4025

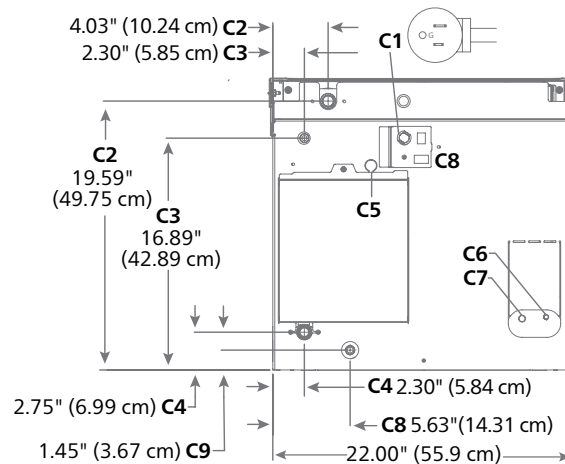
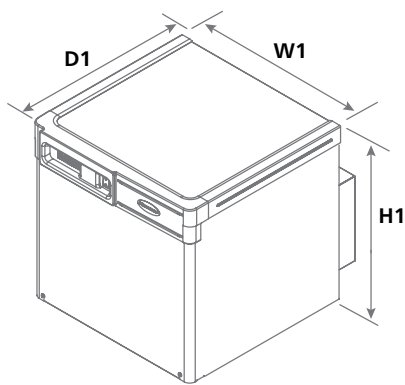
¹ Disclaimer: Antimicrobial protection is limited to the treated components and does not treat water or ice.

² Refer to form# 4025 for additional warranty information.

³ Certifications do not apply to installation kits or ice transport tube kits.

⁴ Certifications do not apply to options and accessories.

Dimensional drawing



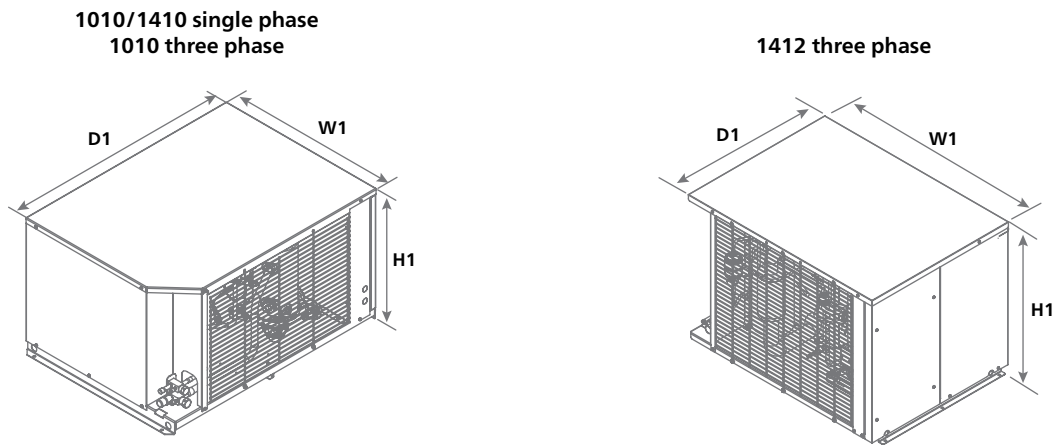
Specification, evaporator unit

W1 Width	22.70" (57.7 cm), fits on 22.00" wide dispensers
D1 Depth	1010 series: 22.50" (57.2 cm) 1410 and 1412 series: 24.50" (62.2 cm)
H1 Height	21.25" (53.9 cm)
Clearance	1.00" (2.54 cm) top, left and right
C1 Electrical (115 V/60/1)	5 amps, requires dedicated 15 amp circuit, 6' (1.8 m) cord, NEMA 5-15 plug
Operating power	0.6 kW
C2 Ice transport tube	see page 7 for details
C3 Water inlet	3/8" OD push-in water inlet – internal connection
C4 Drain	3/4" MPT, 1" drain required. See page 7 for details.
C5 Ice bin signal cord	for Vision applications only
C6 Liquid line	3/8"
C7 Suction line	1010 and 1410 series: 5/8" 1412 series: 7/8"
C8 Communication port, 24 VAC	1412 series: Ice machine to outdoor condensing unit (wire not included)
C9 Auxiliary drain (required)	3/8" OD push-in
Air temperature	50 - 100 F (10 - 38 C)
Water temperature	45 - 90 F (7 - 32 C)
Potable water pressure	10 - 70 psi (69 - 483 kPa)
Ice production	see ice production chart on page 8
Energy consumption	1010 series: single phase – 4.68 kWh, three phase – 3.57 kWh 90 F (32 C) air, 70 F (21 C) water 1410 series: single phase – 4.63 kWh 1412 series: three phase – 4.73 kWh per 100 lb (45.4 kg) ice
Water consumption	1010 series: 12.0 gal (47 L) of potable water per 100 lb (45.4 kg) of ice (per AHRI test standards). 12.4 gal (46.9 L) at low TDS flush setting. 1410 and 1412 series: 12.5 gal (47 L) of potable water per 100 lb (45.4 kg) of ice (per AHRI test standards). 12.3 gal (46.5 L) at low TDS flush setting.
Refrigerant	1010 and 1410 series: R404a 1412 series: R449a
BTU/hr (Kcal/hr) at 0 F (-18 C) evaporator, 90 F (32 C) ambient air	1010 series: 7,700 (1,940) 1410 and 1412 series: 10,000 (2,520)
Rack systems EPR valve - set to EPR valve to be supplied by installer	1010 and 1410 series: 0 F (-18 C)
Approximate ship weight	1010 series: 175 lb (79 kg) 1410 and 1412 series: 195 lb (89 kg)
Approximate net weight	1010 series: 157 lb (71 kg) 1410 and 1412 series: 167 lb (76 kg)

NOTE: For indoor use only. Outdoor installation of low side is not recommended and will void warranty.

SHORT FORM SPECIFICATION: Follett® Horizon Elite ice machine model _____ capable of producing compressed nugget ice using an efficient, sanitary horizontal evaporator/auger system and delivering ice by a flexible wire reinforced transport tube to ____ ice storage bin, ____ ice and water dispenser, ____ countertop ice and beverage dispenser, ____ Vision dispenser, ____ drop-in dispenser or ____ Ice Manager diverter valve system. Slide-out evaporator with utility docking station, front-mounted unit status display, evaporator water inlet at harvest end with automatic flush while producing ice, and semi-automatic cleaning and sanitizing system.

Dimensional drawing



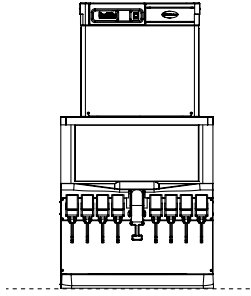
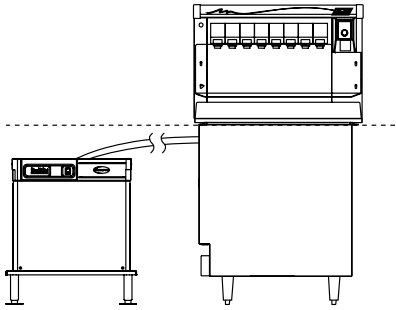
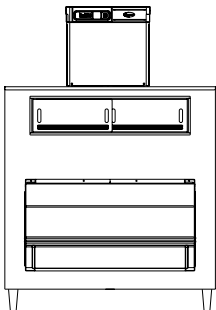
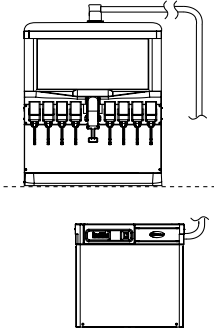
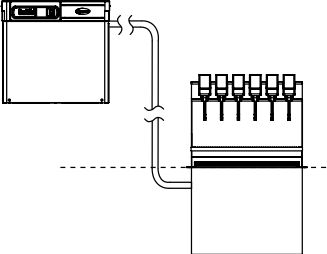
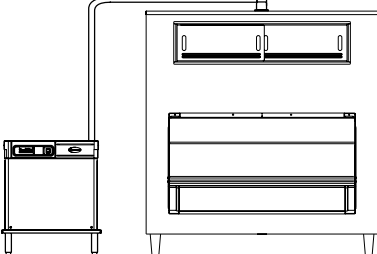
Specification, condenser unit

W1 Width	1010 and 1410 series: 39.90" (101 cm) 1412 series: 39.60" (100.6 cm)
D1 Depth	1010 and 1410 series: 28.50" (72.4 cm) 1412 series: 28.20" (71.6 cm)
H1 Height	1010 and 1410 series: 21.50" (54.6 cm) 1412 series: 26.00" (66.0 cm)
Electrical	1010 and 1410 single phase: 208-230/60/1 1010 and 1412 three phase: 208-230/60/3
Operating power	1010 single phase: 1.46 kW 1010 three phase: 1.42 kW 1410 single phase: 2.2 kW 1412 three phase: 3.0 kW
Minimum circuit ampacity	1010 and 1410 single phase: 10.6 A 1010 three phase: 9.7 A 1412 three phase: 12 A
Maximum overcurrent protection	1010 single phase: 15 A 1010 three phase: 15 A 1410 single phase: 25 A 1412 three phase: 20 A
Heat rejection	1010 single and three phase: 11,300 BTU/hr (2,849 Kcal/hr) 1410 single phase: 16,000 BTU/hr (4,035 Kcal/hr) 1412 three phase: 14,000 BTU/hr (3,530 Kcal/hr)
Outdoor condensing unit operating limits (air temperature)	min -20 F (-29 C) max 120 F (49 C)
Maximum refrigerant line run length	100' (30.5 m)
Maximum line rise above evaporator	35' (10.7 m)
Evaporator mounting above condenser	15' (4.6 m)
Maximum refrigeration line drop without oil trap	15' (4.6 m)
Refrigerant charge	1010 and 1410 single phase: 12 lb required at installation 1010 three phase: 12.5 lb required at installation 1412 three phase: 8 lb pre-charged
Approximate ship weight	1010 single phase: 260 lb (118 kg), 1010 three phase: 320 lb (145 kg) 1410 single phase: 270 lb (123 kg) 1412 three phase: 282 lb (128 kg)
Approximate net weight	1010 single and three phase: 222 lb (101 kg) 1410 single phase: 232 lb (105 kg) 1412 three phase: 244 (111 kg)

NOTE: The entire liquid line should be insulated separately from the suction line.

1 – Locating the ice machine

Horizon Elite remote Chewblet ice machines allow top-mounting or mounting in a base cabinet, on a wall or on a floor stand up to 75' (22.9 m) from the dispenser or ice bin with RIDE technology. In-cabinet mounting (RIDE applications) require special attention to service access, unit ventilation and ice tube runs (see pages 6-7).

<p>Top mounting – ice and beverage dispensers (by others)</p>	<p>RIDE model – Follett low-profile Vision ice and beverage dispensers</p>	<p>Top mount on Follett ice storage bins</p>
		
<p>Important specifier notes</p> <ol style="list-style-type: none"> 1. Dispenser must be compatible with nugget ice. See page 5 for compatible ice and beverage dispenser models and top kit numbers. 2. Verify ceiling or soffit height to ensure sufficient top clearance. 	<p>Important specifier notes</p> <ol style="list-style-type: none"> 1. See page 6 for critical clearance requirements. 2. Ice transport tube ships with Vision ice and beverage dispenser (Vision applications only). 	<p>Important specifier notes</p> <ol style="list-style-type: none"> 1. See form# 8590 for bin sizing. Not for use with Ice•Device™ or Ice Pro™. 2. Verify ceiling or soffit height to ensure top clearance. 3. Locate floor sink or grate and drains in front of storage bin.
<p>RIDE model – ice and beverage dispensers (by others)</p>	<p>RIDE model – drop-in beverage dispensers (by others)</p>	<p>RIDE model – Follett ice storage bins</p>
		
<p>Important specifier notes</p> <ol style="list-style-type: none"> 1. Dispenser must be compatible with nugget ice. Compatible dispensers include Cornelius DB/ED/DF150/175, Lancer 4500-22N, FS-16N and FS-44N, Servend MD150/175/200/250 SV150/175/200/250 and Follett Symphony Plus™ 110CM, as well as dispensers listed on page 5. 2. Coca-Cola Freestyle 7100 requires top adapter IC Code 46751 and ice kit IC Code 46430 only, and must be ordered from Coca-Cola. Coca-Cola Freestyle 9100 requires top kit HSF26SC. Consult with Coca-Cola and Follett to qualify application prior to ordering. 3. RIDE application is approved only for Pepsi Spire 3.0, 5.0 and 4.1 designed for top mount ice machines and requires MSP24SC for 3.0 and MSP30SC for 5.0 and 4.1, ordered separately. For manual fill versions of Pepsi Spire 3.0, 5.0 and 4.1, contact factory. 4. See page 6 for critical clearance requirements. 	<p>Important specifier notes</p> <ol style="list-style-type: none"> 1. Compatible with the following dispensers: Cornelius 1522, 1722, 2323 and Lancer 2200, 2300, 23300. 2. Requires 12.00" (30.5 cm) of access space for installation on transport tube side. 3. See page 6 for critical clearance requirements. 	<p>Important specifier notes</p> <ol style="list-style-type: none"> 1. See form# 8590 for bin sizing. Not for use with Ice•Device or Ice Pro. 2. Locate floor sink or grate and drains in front of storage bin.

1 – Locating the ice machine (continued)

Top mounting – compatible ice and beverage dispensers ¹					
Manufacturer	Model Number	Width in (cm)	Depth ² in (cm)	Height ³ in (cm)	Top kit
Coca-Cola dispensers	Freestyle 7000	30.10 (76.5)	33.11 (79.0)	47.00 (119.4)	H22F30-F ^{4,5}
	Freestyle 7100	30.00 (76.2)	33.80 (85.8)	47.00 (119.4)	H22F30-F ^{4,6}
	Freestyle 9000	25.50 (64.8)	35.50 (90.2)	73.75 (187.3)	H22F24-F ^{4,7}
	Freestyle 9100	25.50 (64.8)	39.25 (99.7)	77.25 (196.2)	H22F26-F ⁴
Cornelius dispensers	DB/ED/DF 200 series	30.00 (76.2)	30.00 (76.2)	34.38 (87.3)	H22C30-F or H22C30-X ⁸
	DB/ED/DF 250 series	30.00 (76.2)	30.00 (76.2)	38.38 (97.5)	H22C30-F or H22C30-X ⁸
	DB/ED/DF 300 series	44.00 (111.8)	30.00 (76.2)	34.00 (86.4)	H22C44-(F or B) ⁹
	FlavorFusion/Overload	30.00 (76.2)	33.13 (84.2)	39.38 (100.0)	H22C30-F-FF
	IDC215	30.00 (76.2)	33.13 (84.2)	39.38 (100.0)	H22C30-F-IDC
	IDC255 and Pro Fast Gate	30.00 (76.2)	33.13 (84.2)	36.38 (92.4)	H22C30-F-IDC
	IDC Pro	30.00 (76.2)	33.13 (84.2)	40.25 (102.2)	H22C30-X-PRO ¹⁰
Lancer dispensers	4500-30N	30.00 (76.2)	30.50 (77.5)	36.50 (92.7)	H22L30-(F or B) ⁹
	FS-22N	22.00 (55.9)	30.50 (77.5)	42.13 (107.0)	H22L22-F
	FS-30N	30.00 (76.2)	30.50 (77.5)	42.13 (107.0)	H22L30-(F or B) ⁹
	Bevariety	30.00 (76.2)	31.00 (78.7)	37.75 (95.9)	H22L30-F-STP
	Sensation 30" ¹¹	30.00 (76.2)	31.00 (78.7)	38.25 (97.2)	H22L30-F-STP
	Sensation 44" ¹¹	44.00 (111.8)	31.00 (78.7)	39.38 (100.0)	H22L44-F-STP
	Touchpoint	32.50 (82.55)	33.70 (85.6)	40.00 (101.6)	H22L30-F-STP
Pepsi dispensers	Spire 3.0	27.00 (68.6)	35.00 (88.9)	38.12 (96.8)	H22P24-F
	Spire 5.0 / 4.1	30.50 (77.5)	36.00 (91.4)	42.75 (108.6)	H22P30-F
Servend dispensers	SV200	30.00 (76.2)	33.13 (84.2)	37.63 (95.6)	H22S30-F
	MDH-302	42.75 (108.6)	31.00 (78.7)	32.38 (82.2)	H22S44-(F or B) ⁹
	MDH-402	60.00 (152.4)	30.50 (77.5)	32.38 (82.2)	H22S60-(F or B) ^{9,11}

¹ All approved dispensers can be filled with a RIDE model Horizon Elite ice machine without a top kit except Pepsi Spire 3.0, 5.0 and 4.1, see page 4 for details.

² Requires minimum 0.50" (1.27 cm) clearance between back of dispenser and wall.

³ Net height after installation of top kit (excluding height of ice machine).

⁴ Consult with Coca-Cola and Follett to qualify application prior to ordering.

⁵ Top adapter IC Code 46412 and ice kit IC Code 46430 must also be ordered from Coca-Cola.

⁶ Top adapter IC Code 46753 and ice kit IC Code 46430 must also be ordered from Coca-Cola.

⁷ Adapter must also be ordered from Coca-Cola. KO IC Code: 46010 (Silver), 46011 (Red) or 46012 (Black).

⁸ Top designed with flexibility to accommodate front or back mounting.

⁹ Specify "F" for front facing, or "B" for backward facing units.

¹⁰ Top designed with flexibility to accommodate front or back mounting.

¹¹ 60- inch models: Please specify number of Horizon Elite ice machines and location. D = 2; R = 1 on right side; L = 1 on left side.

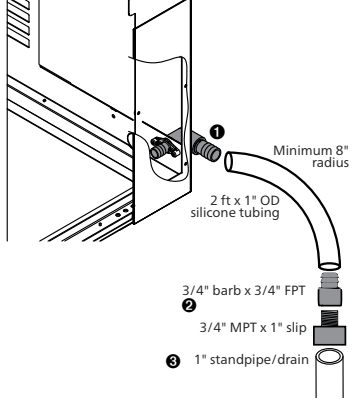
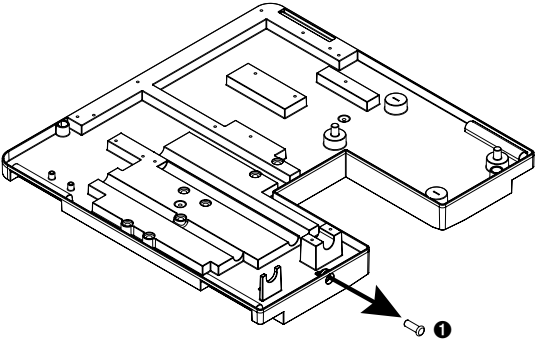
2 – Undercounter/in-cabinet mounting

Cabinet details	
<p>Important specifier notes</p> <ol style="list-style-type: none"> 1. Cabinet door opening must meet minimum size requirements shown and be free of obstructions to allow ice machine to slide out (no lip or utilities to block removal). 2. Cabinet base must be capable of supporting ice machine and allow ice machine to rest flat on cabinet bottom. 3. No counter supports, electric or plumbing can run in front of the ice machine. 	<p>Ice transport tube minimum 1/4" per foot (2 cm per meter) pitch toward ice machine secure to prevent dips and traps from forming</p> <p>Cabinet door opening 24.00"W x 23.5"H (60.9 cm x 59.7 cm) minimum</p> <p>slides out</p> <p>Cabinet base must be flat and free of obstructions (no lip or utilities to block removal)</p> <p>12.00" (30.5 cm) minimum between ice machine and dispenser</p>

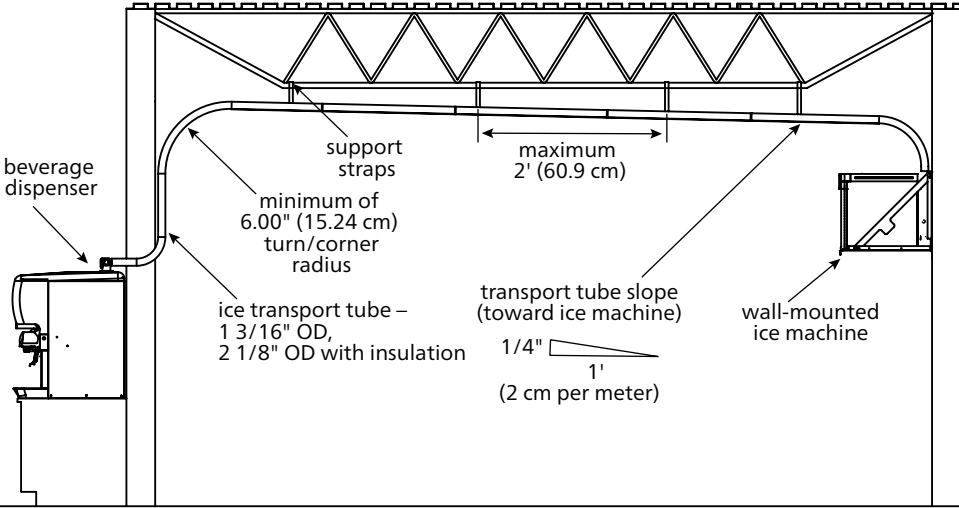
3 – Horizon Elite ice machine mounting accessories

Optional wall mount bracket	Optional machine stand	Important specifier notes
<p>22.00" (55.9 cm)</p> <p>23.00" (58.4 cm)</p> <p>25.50" (64.8 cm)</p>	<p>6.88" (17.5 cm)</p> <p>A - 15.875" (40.3 cm) C - 13.00" (33.0 cm) B - 19.375" (49.2 cm) D - 21.00" (53.3 cm)</p>	<ol style="list-style-type: none"> 1. For secure wall mounting, specify optional wall mount bracket. 2. Wall and fasteners must support the weight of the ice machine, bracket, supply water and ice. Use of a backing board may be required with hollow wall construction. 3. Machine stand mounting adds 6.88" (17.5 cm) to height of ice machine. 4. No dips in tube routing allowed. 5. Ice transport tube needs minimum 1/4" per foot (2 cm per meter) pitch toward ice machine and should be secured to prevent dips and traps from forming.

4 – Horizon Elite drains - specifier guidelines

<p>Ice machine drain plumbing</p>  <p>Minimum 8" radius</p> <p>2 ft x 1" OD silicone tubing</p> <p>3/4" barb x 3/4" FPT</p> <p>3/4" MPT x 1" slip</p> <p>1" standpipe/drain</p>	<p>Important specifier notes: Where code allows, follow recommendation below.</p> <ol style="list-style-type: none"> 1. Apply Teflon tape to 3/4" male outlet ice machine fitting. Thread on either the provided straight 3/4" barb adapter or a 90 degree adaptor. Connect the supplied 2' (0.61 m) silicone hose to the 3/4" drain barb ❶. 2. It is recommended that the silicone hose be routed down into a 1.5" or 2" standpipe/drain. The minimum drain size for the ice machine is 1". <p>NOTE: 3/4" to 1" PVC adapter fittings are provided if a larger drain size is not possible ❷ ❸.</p> <p>NOTE: Minimum 8" radius on silicone drain line. Drain line from the ice machine must have at least 1/4" per foot pitch (6.4 mm/0.3 m).</p> <p>NOTE: Standpipe/drain provided by others. All other components provided with ice machine.</p>
<p>Chassis drain plumbing – Required</p> 	<p>Important specifier notes: Where code allows, follow recommendation below.</p> <ol style="list-style-type: none"> 1. Remove white 3/8" plug from rear push-in fitting ❶. 2. Route 3/8" OD drain tubing (preferably copper) through rear of docking station and fully insert into chassis base push-in fitting. Route into drain standpipe. 3. Gravity drain. Ensure 3/8" OD tubing slopes down into drain standpipe without forming a trap.

5 – Horizon Elite ice tube runs - specifier guidelines

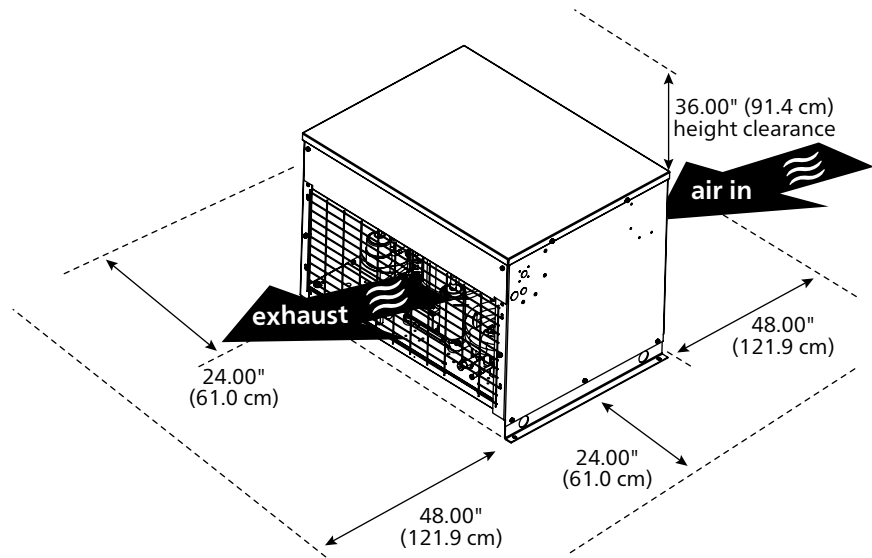
<p>Long tube runs for RIDE remote ice delivery equipment</p>  <p>beverage dispenser</p> <p>support straps</p> <p>minimum of 6.00" (15.24 cm) turn/corner radius</p> <p>ice transport tube – 1 3/16" OD, 2 1/8" OD with insulation</p> <p>transport tube slope (toward ice machine) 1/4" 1' (2 cm per meter)</p> <p>wall-mounted ice machine</p> <p>maximum 2' (60.9 cm)</p>	<p>Important specifier notes</p> <ol style="list-style-type: none"> 1. 75' (22.9 m) maximum ice transport tube run. 2. Tubing routing bends must have a 6.00" (15.24 cm) radius or larger. 3. Dips and traps are not allowed. A 3" (7.62 cm) or larger PVC pipe chase is suggested to support the tubing run. If not supported, secure insulated ice transport tube at least every 2' (0.61 m) to prevent drips and traps. 4. Relative humidity levels above 80% in areas where the ice machine or ice transport tube is located may produce excessive condensation that will cause water damage. 5. Contact factory for recommendations on running tubing through a decorative soffit or chase.
--	--

Remote condensing unit

Condensing unit installation specifications

Important specifier notes

1. Provide front, back, top and side clearances as shown.
2. The maximum refrigerant line run length is 100' (30.5 m). Installations require 12 lb for 1010/1410 single phase and 12.5 lb for 1010 three phase. 1412 three phase is pre-charged with 8 lb.
3. The maximum line rise above the evaporator is 35' (10.7 m). Condensing unit above evaporator unit – 35' (10.7 m) (installations with rise over 20' (6.1 m) require additional suction line s-trap at midpoint rise) and p-trap at top of riser.
4. The evaporator can only be mounted a maximum of 15' (4.6 m) above the condensing unit.
5. P-trap required at bottom of suction riser.



Ice production – Horizon Elite D1010R series

Inlet water temperature F (C)	Ambient air temperature F (C)					lb (kg) production in 24 hr
	60 (16)	70 (21)	80 (27)	90 (32)	100 (38)	
50 F (10 C)	1051 (477)	978 (444)	906 (411)	834 (379)	763 (346)	
60 F (16 C)	1037 (471)	925 (420)	855 (388)	796 (361)	737 (335)	
70 F (21 C)	937 (425)	871 (395)	805 (366)	758 (344)	711 (323)	
80 F (27 C)	904 (410)	839 (381)	774 (351)	727 (330)	680 (309)	
90 F (32 C)	872 (396)	807 (366)	743 (337)	696 (316)	648 (294)	

Ice production – Horizon Elite D1410R series

Inlet water temperature F (C)	Ambient air temperature F (C)					lb (kg) production in 24 hr
	60 (16)	70 (21)	80 (27)	90 (32)	100 (38)	
50 F (10 C)	1474 (669)	1372 (623)	1269 (576)	1212 (550)	1154 (524)	
60 F (16 C)	1385 (628)	1292 (586)	1198 (544)	1148 (521)	1097 (498)	
70 F (21 C)	1296 (588)	1212 (550)	1127 (511)	1083 (492)	1039 (472)	
80 F (27 C)	1239 (562)	1155 (524)	1072 (487)	1030 (468)	988 (449)	
90 F (32 C)	1181 (536)	1099 (499)	1017 (462)	976 (443)	936 (425)	

Ice production – Horizon Elite D1412R series

Inlet water temperature F (C)	Ambient air temperature F (C)					lb (kg) production in 24 hr
	60 (16)	70 (21)	80 (27)	90 (32)	100 (38)	
50 F (10 C)	1391 (755)	1371 (622)	1339 (726)	1306 (701)	1235 (668)	
60 F (16 C)	1301 (705)	1280 (693)	1251 (677)	1222 (661)	1156 (624)	
70 F (21 C)	1224 (662)	1215 (657)	1176 (636)	1138 (614)	1077 (581)	
80 F (27 C)	1156 (624)	1149 (621)	1113 (601)	1077 (581)	1020 (549)	
90 F (32 C)	1075 (580)	1055 (568)	1036 (558)	1016 (547)	962 (517)	

ENERGY STAR and the ENERGY STAR mark are registered trademarks owned by the U.S. Environmental Protection Agency.

Agion is a registered trademark of Sciecent LLC.

Open Kitchen is a trademark of Powerhouse Dynamics.

HORIZON ELITE, ICE•DEVICE, ICE MANAGER, ICE PRO, SAFECLEAN PLUS, SANISPONGE, SYMPHONY PLUS and VISION are trademarks of Follett Products, LLC.

CHEWBLET, FOLLETT and RIDE are registered trademarks of Follett Products, LLC, registered in the US.

Follett reserves the right to change specifications at any time without obligation. Certifications may vary depending on country of origin.

Remote 1010, 1410, 1412 series ice machine