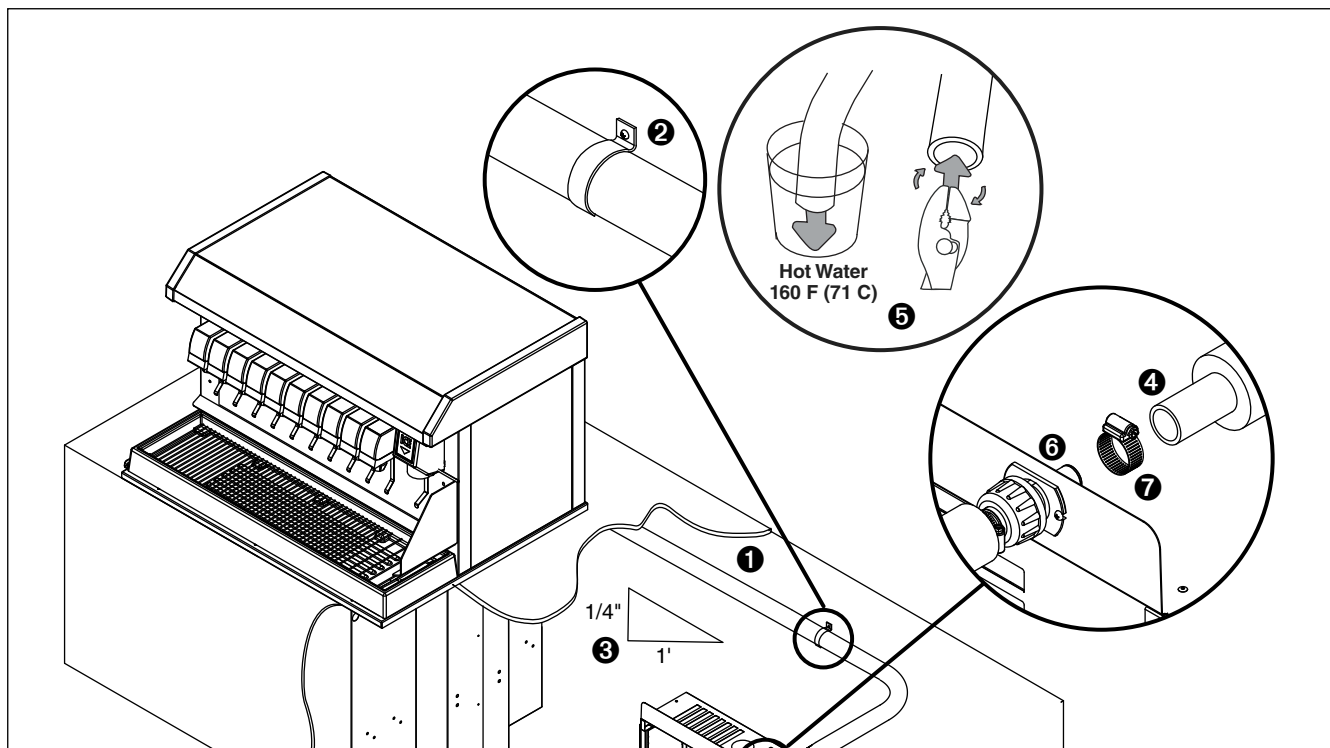


Installation Instructions

For full Installation Instructions, please see the literature packaged with the Ice Machine.

1. Ice Transport Tube

1.1 Ice transport tube installation



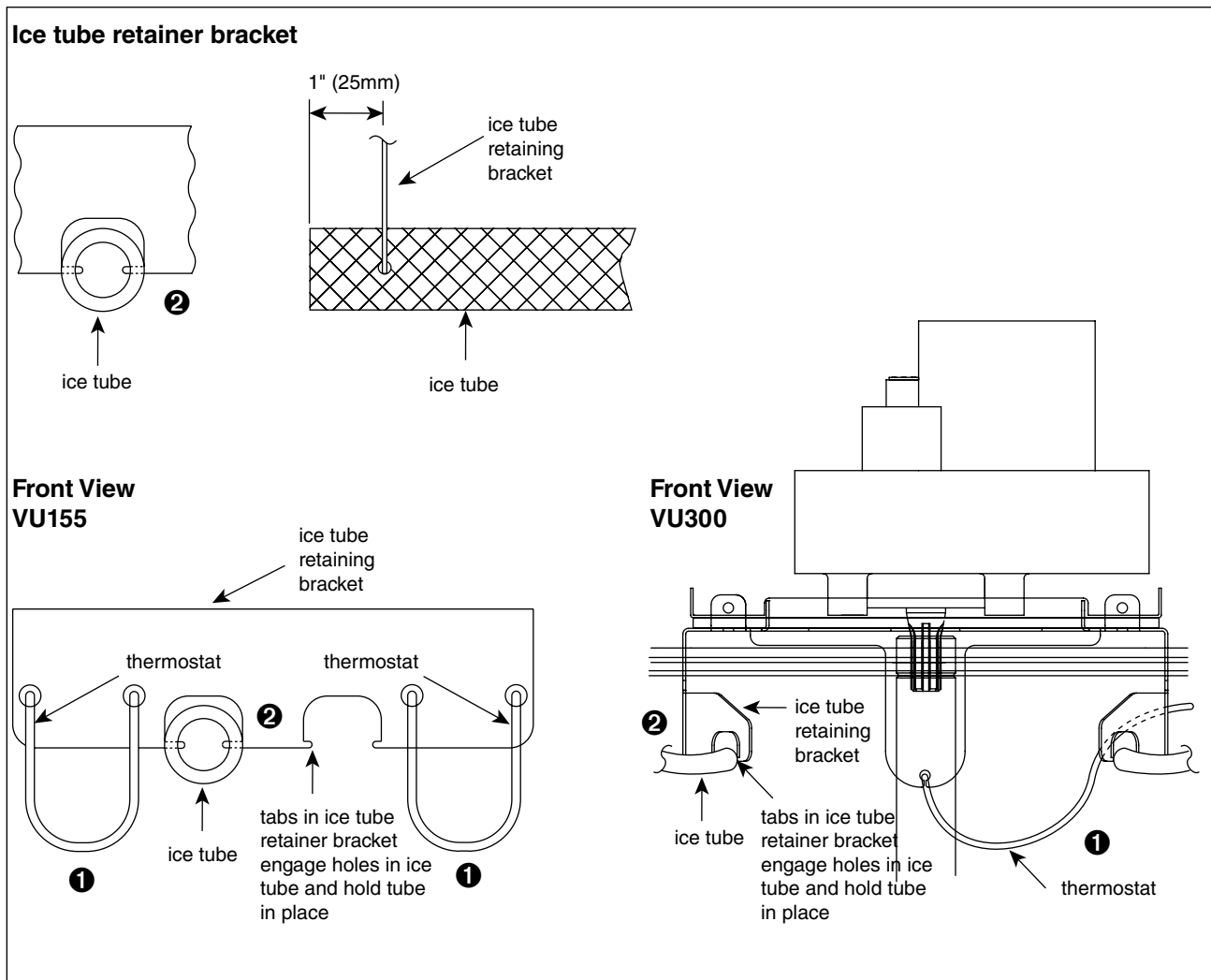
Ice transport tube tips

- One end of the ice transport tube has 1/8" holes drilled into it; this end connects on the inside of the Vision dispenser.
- Insulate entire length of ice transport tube ❶
- Secure ice transport tube ❷ as needed to prevent dips and traps from forming. For long tube runs see guide on page 19.
- Pitch tube at least 1/4" per foot (6,4 mm/0,3m) ❸, ice transport tube must drain towards ice machine

Ice transport tube to Ice machine

- Be sure tube ends are square ❹
- Heat end of transport tube in cup of 160 F (71 C) hot water to soften and spread with pliers ❺ before making connection to ease assembly
- Push plug end of ice transport tube onto ice machine nipple ❻
- Install hose clamp ❼ tightly so tube swells, ensuring hose clamp is installed on barb.

1.2 Dispenser ice transport tube installation



- Push one end of ice transport tube(s) through hole(s) provided in side of dispenser
- Route tube into ice tube bracket inside dispenser and engage bracket tabs in holes located in end of ice transport tube(s) **1**
- Verify bin thermostat capillary tube is mounted correctly **2**

Maestro, Vision, Ice Manager, Horizon, Horizon Elite are trademarks of Follett Products, LLC.
Chewblet, RIDE, Follett are registered trademarks of Follett Products, LLC.