

# FlexLock-ready

Follett refrigerators

## Description

Follett refrigerators custom designed for the Omnicell® XT FlexLock Refrigerator Lock and Temperature Monitor include pre-drilled holes to improve durability and decrease installation time. With Follett refrigerators and FlexLock, hospitals benefit from the enhanced medication management enabled by Omnicell's XT Automated Dispensing Cabinets.

## Features

Pre-drilled holes remove the need for double-sided tape and decrease wait-time required for adhesive to dry

Quick and easy installation allows refrigerators to be service ready in less than 15 minutes

**Note:** No mechanical lock on undercounter units. Upright units ship with lock and strike bracket.

Certifications (applied all products unless otherwise noted)

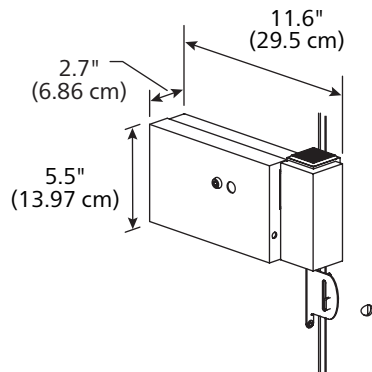


Commercial Refrigerator  
SAFETY US/CA – SA12646

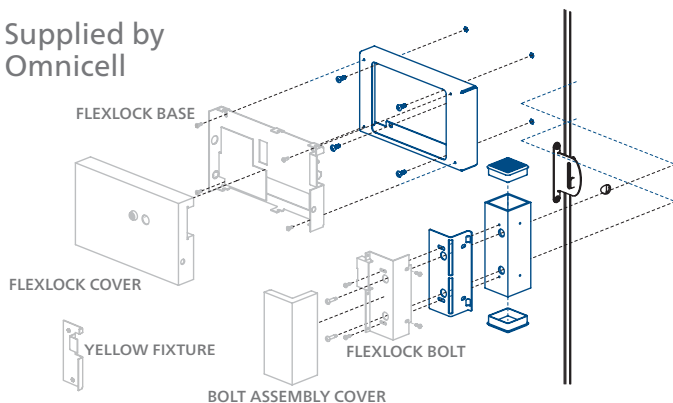


Follett undercounter shown with FlexLock. FlexLock available for purchase from Omnicell.

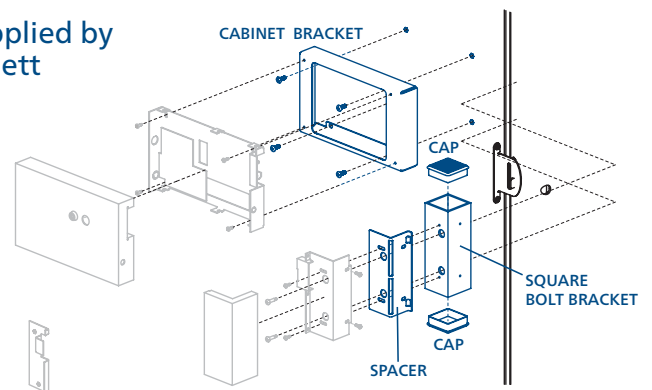
## Dimensional drawing



### Supplied by Omnicell



### Supplied by Follett



## Performance Plus undercounter refrigerator model configurations

| Item number                     | Cubic capacity cu ft (L) | Storage system | Hinging | Door style | Heated door | Keypad | Width in (cm) | Depth in (cm) | Height in (cm) | Approx. ship wt lb (kg) |
|---------------------------------|--------------------------|----------------|---------|------------|-------------|--------|---------------|---------------|----------------|-------------------------|
| LED digital temperature display |                          |                |         |            |             |        |               |               |                |                         |
| REFOMN4P-OR-00-00               | 3.9 (110)                | 2 shelves      | right   | stainless  | no          | no     | 23.75 (60.3)  | 27.00 (68.6)  | 31.38 (79.7)   | 205 (93)                |
| REFOMN5P-OR-00-00               | 4.5 (127)                | 2 shelves      | right   | stainless  | no          | no     | 23.75 (60.3)  | 27.00 (68.6)  | 34.00 (86.4)   | 205 (93)                |

## Infinity Series™ single door upright refrigerator model configurations

| Item number         | Cubic capacity cu ft (L) | Vaccine storage capacity cu ft (L) | Storage system | Hinging | Door style | Heated door | Keypad | Width in (cm) | Depth in (cm) | Height in (cm) | Approx. ship wt lb (kg) |
|---------------------|--------------------------|------------------------------------|----------------|---------|------------|-------------|--------|---------------|---------------|----------------|-------------------------|
| REFOMN12i-4S-R00G   | 12.0 (340)               | 7.2 (204)                          | 4 shelves      | right   | glass      | no          | no     | 23.75 (60.3)  | 26.60 (67.6)  | 72.00 (182.9)  | 420 (191)               |
| REFOMN20i-4S-R0000G | 19.7 (558)               | 12.7 (360)                         | 4 shelves      | right   | glass      | no          | no     | 29.75 (75.6)  | 30.50 (77.5)  | 79.50 (201.9)  | 431 (196)               |
| REFOMN25i-4S-R0000G | 24.6 (697)               | 16.8 (476)                         | 4 shelves      | right   | glass      | no          | no     | 29.75 (75.6)  | 36.50 (92.7)  | 79.50 (201.9)  | 477 (217)               |
| REFOMN12i-4S-R00S   | 12.0 (340)               | 7.2 (204)                          | 4 shelves      | right   | stainless  | no          | no     | 23.75 (60.3)  | 26.60 (67.6)  | 72.00 (182.9)  | 420 (191)               |
| REFOMN12i-4S-L00G   | 12.0 (340)               | 7.2 (204)                          | 4 shelves      | left    | glass      | no          | no     | 23.75 (60.3)  | 26.60 (67.6)  | 72.00 (182.9)  | 420 (191)               |
| REFOMN20i-4S-L0000G | 19.7 (558)               | 12.7 (360)                         | 4 shelves      | left    | glass      | no          | no     | 29.75 (75.6)  | 30.50 (77.5)  | 79.50 (201.9)  | 431 (196)               |
| REFOMN25i-4S-L0000G | 24.6 (697)               | 16.8 (476)                         | 4 shelves      | left    | glass      | no          | no     | 29.75 (75.6)  | 36.50 (92.7)  | 79.50 (201.9)  | 477 (217)               |
| REFOMN20i-6B-R0000G | 19.7 (558)               | 12.8 (362)                         | 6 baskets      | right   | glass      | no          | no     | 29.75 (75.6)  | 30.50 (77.5)  | 79.50 (201.9)  | 489 (222)               |
| REFOMN25i-6B-R0000G | 24.6 (697)               | 16.4 (464)                         | 6 baskets      | right   | glass      | no          | no     | 29.75 (75.6)  | 36.50 (92.7)  | 79.50 (201.9)  | 467 (212)               |
| REFOMN20i-6B-L0000G | 19.7 (558)               | 12.8 (362)                         | 6 baskets      | left    | glass      | no          | no     | 29.75 (75.6)  | 30.50 (77.5)  | 79.50 (201.9)  | 489 (222)               |
| REFOMN25i-6B-L0000G | 24.6 (697)               | 16.4 (464)                         | 6 baskets      | left    | glass      | no          | no     | 29.75 (75.6)  | 36.50 (92.7)  | 79.50 (201.9)  | 467 (212)               |

OMNICELL and the Omnicell brandmark are registered trademarks of Omnicell, Inc. in the United States and internationally. ©2021 All rights reserved.

INFINITY SERIES is a trademark of Follett Products, LLC.

FOLLETT and FOLLETT HEALTHCARE are registered trademarks of Follett Products, LLC, registered in the US.

Follett reserves the right to change specifications at any time without obligation. Certifications may vary depending on country of origin.