



Maestro Plus™

D414 Series Chewblet® and flake top mount ice machines

Features

Maestro Plus ice machine with up to 425 lb (193 kg) daily production of consumer-preferred Chewblet or flake ice.

High performance Maestro Plus ice machines

- compact, reliable Chewblet ice machine for top mount installation
- stainless steel evaporator, auger and top bearing
- oversized, heavy duty, tapered roller bearing ensures long low-maintenance life
- automatic self-flushing of ice machine removes impurities
- no noisy harvest cycles means quiet ice production

Lower utility bills

- energy-efficient, no costly defrost cycles
- 40% less water than comparable capacity cube machines

Maintenance and service benefits

- cleaning and sanitizing of entire machine takes less than 1 hour
- LED control board provides at-a-glance machine status

Consumer-preferred Chewblet ice (D414AT)

- preferred 2:1 over cube ice
- easy to chew
- more reliable dispensing than nugget or pellet ice
- slow melting, maintains drink temperature and quality
- higher displacement than cube ice

Flake ice (D414ATF)

- high surface area chills quickly, maintains products at desired temperature
- molds well, securely holds containers without slipping
- shields products against damage in displays

Installation flexibility

- top kits allow ice machine to be top mounted on most ice and beverage dispensers
- top kits install without any alteration to dispenser (kit includes stainless steel top)
- compatible with over 20 of Follett's ice storage bins

Warranty

- 3 years parts and labor, 5 years compressor parts¹

Certifications (applied to all products unless otherwise noted)



Options and accessories²

- Water filters (refer to form# 1058)
- SafeCLEAN Plus™ ice machine cleaner (refer to form# 8295)
- Nu-Calgon IMS-III sanitizer (US only), 16 oz (0.5 L) bottle (item# 00979674)
- For additional accessories (refer to form# 4025 or 2155)

Model configurations					
Ice type	For use with ¹	Condenser	Refrigerant	V/Hz/Ph	Item number
Chewblet	countertop ice and beverage dispenser (by others) and ice storage bins	air-cooled	R290	115/60/1	D414AT[†]
Flake	ice storage bins	air-cooled	R290	115/60/1	D414ATF[†]

[†] ENERGY STAR® certified

¹ Ordered separately

Required top kits for countertop ice and beverage dispensers ¹				
Manufacturer/ Model number	W2 = Width in (cm)	D2 = Depth in (cm)	H2 = Height in (cm)	Top kit item number
Coca-Cola dispensers				
Freestyle 7000 ^{3,4}	30.10 (76.5)	33.11 (84.1)	47.00 (119.4)	MTF30SCP
Freestyle 7100 ^{3,5}	30.00 (76.2)	33.80 (88.8)	47.00 (119.4)	MTF30SCP
Freestyle 9000 ³	25.50 (64.8)	35.50 (90.2)	73.75 (187.3)	MTF24SCP
Freestyle 9100 ³	25.50 (64.8)	39.25 (99.7)	77.25 (196.2)	MTF26SCP
Cornelius dispensers				
DB/DF/ED150 series	22.00 (55.9)	30.0 (76.2)	34.38 (87.3)	MTC22SCP
DB/DF/ED175 series	24.50 (62.2)	30.0 (76.2)	34.38 (87.3)	MTC24SCP
DB/DF/ED200 series	30.00 (76.2)	30.0 (76.2)	34.38 (87.3)	MTC30SCP
DB/DF/ED250 series	30.00 (76.2)	30.0 (76.2)	38.38 (97.5)	MTC30SCP
Lancer dispensers				
4500-22N, FS-22N	22.00 (55.9)	30.50 (77.5)	36.50 (92.7)	MTL22SCP
4500-30N	30.00 (76.2)	30.50 (77.5)	36.50 (92.7)	MTL30SCP
FS-30N	30.00 (76.2)	30.50 (77.5)	42.13 (107.0)	MTL30SCP
Lancer Sensation	30.00 (76.2)	31.00 (78.7)	38.25 (97.2)	MTL30SCP
Lancer Touchpoint	32.50 (82.6)	33.70 (85.6)	40.00 (101.6)	MTL30SCP
Pepsi dispensers				
Spire 3.0	27.00 (68.6)	35.00 (88.9)	38.12 (96.8)	MTP24SCP
Spire 5.0 / 4.1	30.50 (77.5)	36.00 (91.4)	42.75 (108.6)	MTP30SCP

¹ Certifications do not apply to top kits.

² Net height after installation of top kit.

³ Consult with Coca-Cola and Follett to qualify application prior to ordering.

⁴ Top adapter IC Code 46412 and ice kit IC Code 46430 must also be ordered from Coca-Cola.

⁵ Top adapter IC Code 46753 and ice kit IC Code 46430 must also be ordered from Coca-Cola.

¹ Refer to form# 4025 or 2155 for additional warranty information.

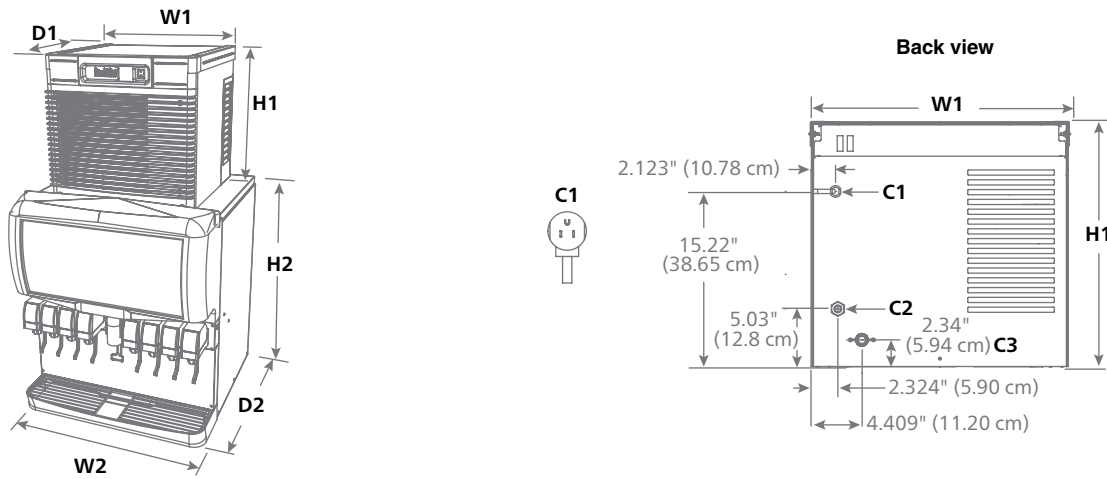
² Certifications do not apply to options and accessories.

801 Church Lane | Easton, PA 18040, USA

1.800.523.9361 | 1.610.252.7301 | follettice.com



Dimensional drawing

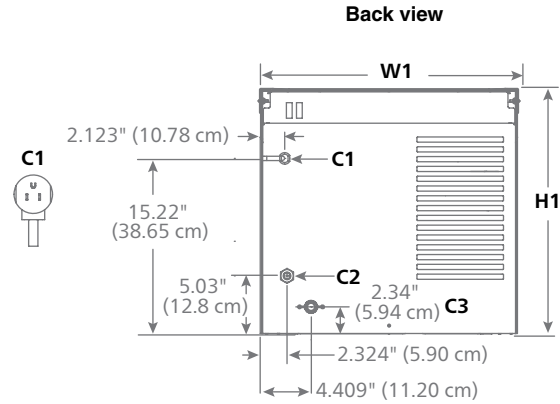
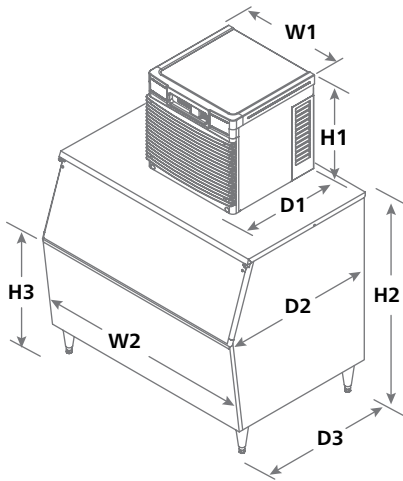


Specification for ice and beverage dispenser top mount ice machines

W1 Width	22.70" (57.7 cm) fits on 22.00" wide dispensers
D1 Depth	24.25" (61.6 cm)
H1 Height	21.25" (54.0 cm)
Service clearance	12.00" (30.5 cm) top - no front obstructions
C1 Electrical 115 V/60/1	7.2 amps, 15 amp circuit, 7' (2 m) cord, NEMA 5-15 plug
C2 Water inlet	3/8" FPT
C3 Drain	3/4" MPT
Refrigerant	R290, 3.49 oz (99 g)
Air temperature	50 -100 F (10 - 38 C)
Water temperature	45 - 90 F (7 - 32 C)
Potable water pressure	10 - 70 psi (69 - 483 kPa)
Ice production at 70 F (21 C) air, 50 F (10 C) water	425 lb (193 kg)
Ice production at 90 F (32 C) air, 70 F (21 C) water	340 lb (154 kg)
Energy consumption 90 F (32 C) air; 70 F (21 C) water	5.4 kWh per 100 lb (45.4 kg) ice
Heat rejection	5,000 BTU/hr (1260 Kcal/hr)
Water consumption	12.0 gal (45.4 L) of potable water per 100 lb (45.4 kg) of ice (per AHRI test standards). 12.5 gal (47.3 L) at standard flush setting.
Approximate net weight	150 lb (68 kg)
Approximate ship weight	170 lb (77 kg)
NOTE: For indoor use only	

SHORT FORM SPECIFICATION: Follett Maestro Plus ice machine model _____. Ice machine to be air-cooled and capable of producing approximately 425 lb (193 kg) per day of Chewblet ice at air temperature of 70 F (21 C), water temperature of 50 F (10 C). All models to use R290 refrigerant. Ice machine to have stainless steel evaporator, auger and top bearings, heavy-duty tapered roller bearing, and low-water safety circuit. NSF and UL listed.

Dimensional drawing



Specification for bin top mount ice machines

W1 Width	22.70" (57.6 cm) fits on 22.00" wide dispensers or bins
D1 Depth, ice machine	24.25" (61.6 cm)
D2 Depth, bin	31.50" (80.0 cm)
H1 Height	21.25" (54.0 cm)
Service clearance	12.00" (30.5 cm) top - no front obstructions
C1 Electrical 115 V/60/1	7.2 amps, 15 amp circuit, 7' (2 m) cord, NEMA 5-15 plug
C2 Water inlet	3/8" FPT
C3 Drain	3/4" MPT
Refrigerant	R290, 3.49 oz (99 g)
Air temperature	50 - 100 F (10 - 38 C)
Water temperature	45 - 90 F (7 - 32 C)
Potable water pressure	10 - 70 psi (69 - 483 kPa)
Ice production at 70 F (21 C) air, 50 F (10 C) water	425 lb (193 kg)
Ice production at 90 F (32 C) air, 70 F (21 C) water	340 lb (154 kg)
Energy consumption 90 F (32 C) air, 70 F (21 C) water	5.4 kWh per 100 lb (45 kg) ice
Heat rejection	5,000 BTU/hr (1260 Kcal/hr)
Water consumption	12.0 gal (45.4 L) of potable water per 100 lb (45.4 kg) of ice (per AHRI test standards). 12.5 gal (47.3 L) at standard flush setting.
Approximate net weight	150 lb (68 kg)
Approximate ship weight	170 lb (77 kg)

NOTE: For indoor use only

SHORT FORM SPECIFICATION: Follett Maestro Plus ice machine model _____. Ice machine to be air-cooled and capable of producing approximately 425 lb (193 kg) per day of _____ Chewblet ice or _____ flake ice at air temperature of 70 F (21 C), water temperature of 50 F (10 C). All models to use R290 refrigerant. Ice machine to have stainless steel evaporator, auger and top bearings, heavy-duty tapered roller bearing, and low-water safety circuit. NSF and UL listed.

Configure your ice machine with the following slope front bin models

Model ¹	Maximum bin capacity lb (kg)	Cubic volume cu ft (m)	Width - W2 in (cm)	Depth - D3 in (cm)	Height - H2 in (cm)	Door sill height - H3 in (cm)	Required door access in (cm)	Approx. ship weight lb (kg)
425-30	430 (195)	13.8 (0.39)	30.00 (76.2)	29.50 (74.9)	40.00 (101.6)	26.00 (66.0)	31.00 (78.7)	144 (65)
650-44	660 (299)	20.8 (0.59)	44.00 (111.8)	29.50 (74.9)	40.00 (101.6)	26.00 (66.0)	32.00 (81.3)	178 (81)
950-48	950 (431)	30.1 (0.85)	48.00 (121.9)	28.25 (71.8)	50.00 (127.0)	36.00 (91.4)	32.00 (81.3)	207 (94)
1025-52	1030 (468)	32.6 (0.92)	52.00 (132.1)	28.25 (71.8)	50.00 (127.0)	36.00 (91.4)	32.00 (81.3)	217 (98)

¹ Follett recommends installation of floor drain with grate with all ice storage bins.

Ice production – Maestro Plus 414 Series

Inlet water temperature F (C)	Ambient air temperature F (C)				lb (kg) production in 24 hr
	60 (16)	70 (21)	80 (27)	90 (32)	
50 F (10 C)	454 (206)	425 (193)	397 (180)	370 (168)	
60 F (16 C)	435 (197)	407 (185)	381 (173)	355 (161)	
70 F (21 C)	416 (189)	390 (177)	365 (166)	340 (154)	
80 F (27 C)	401 (182)	379 (172)	353 (160)	327 (148)	
90 F (32 C)	387 (176)	367 (166)	340 (154)	313 (142)	

ENERGY STAR and the ENERGY STAR mark are registered trademarks owned by the U.S. Environmental Protection Agency.
 MAESTRO PLUS and SAFECLEAN PLUS are trademarks of Follett Products, LLC.
 CHEWBLET and FOLLETT are registered trademarks of Follett Products, LLC, registered in the US.
 Follett reserves the right to change specifications at any time without obligation. Certifications may vary depending on country of origin.

Maestro Plus D414 series top mount