



Shown with SensorSAFE™  
SensorSAFE not recommended for use with clear containers or for applications in direct sunlight.

# Symphony Plus™ ice and water dispenser

## 12 CI series countertop with Chewblet® ice machine

### Features

Narrow, 16.12" (40.9 cm) width

12 lb (5.4 kg) ice storage capacity

Integral air-cooled ice machine with up to 425 lb (193.0 kg) daily production of Chewblet ice

- soft, chewable, compressed nugget ice is ideal for patient care
- Quiet Night™ sleep mode turns off ice machine when idle

Designed with sanitation in mind

- automatic self-flushing of ice machine removes impurities
- Agion® silver-based antimicrobial provides protection of key ice and water contact components<sup>1</sup>
- one-hand lever or SensorSAFE infrared ice dispense

Dependable design, easy to service and clean

- cleaning and sanitizing of entire machine takes only 1 hour
- LED control board provides at-a-glance machine status
- panels are easily removed for accessibility to all components
- ice machine parts are common across all Symphony Plus dispensers
- stainless steel evaporator and auger deliver long life

Environmentally responsible

- R290 refrigerant has a low environmental impact and nominal global warming potential (GWP)
- continuous ice making process uses less electricity and water

Durable, attractive dispenser

- stainless steel cabinet with accent trim
- poly drain pan, grille and dispenser lid are corrosion-resistant

Easy installation

- comes fully assembled and installs with three easy connections – electric, water and drain

Warranty

- 3 years parts and labor, 5 years compressor parts<sup>1</sup>

Certifications (applied to all products unless otherwise noted)



Model configurations				
Ice storage capacity	Configuration	Dispense	Ice machine cooling	Item number
<b>12 lb (5.4 kg)</b>	ice and water	Lever	air	<b>12CI414A-L</b>
	ice-only	Lever	air	<b>12CI414A-LI</b> <sup>†</sup>
	ice and water	SensorSAFE	air	<b>12CI414A-S</b>
	ice-only	SensorSAFE	air	<b>12CI414A-SI</b> <sup>†</sup>

<sup>†</sup> ENERGY STAR® certified

Ice production		
Temperatures air/water	70/50 F (21/10 C)	90/70 F (32/21 C)
Air-cooled	425 lb (193.0 kg)	340 lb (154.3 kg)
Energy consumption per 100 lb (45.4 kg) ice	N/A	6.0 kWh air-cooled
Water consumption	12.0 gal (45.4 L) of potable water per 100 lb (45.4 kg) of ice	

### Options and accessories<sup>2</sup>

Base stand with or without factory installed filter (refer to form# 7010)

4.00" (10.16 cm) leg kit (item# AF10LBLEGS)

Water filters (refer to form# 1058 and 8320)

Pressurized water sanitizing kits (refer to form# 1068)

SafeCLEAN Plus™ ice machine cleaner (refer to form# 8295)

Nu-Calgon® IMS-III sanitizer (US only), 16 oz (0.5 L) bottle (item# 00979674)

Additional Symphony Plus accessories (refer to form# 4025 or 2155)

<sup>1</sup> Refer to form# 4025 or 2155 for additional warranty information.

<sup>2</sup> Certifications do not apply to options and accessories.

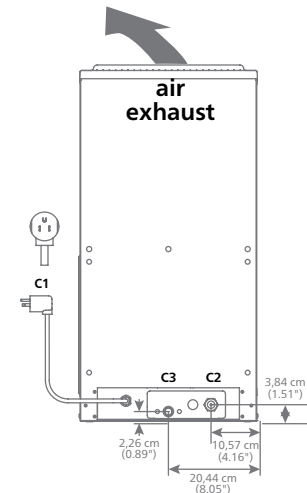
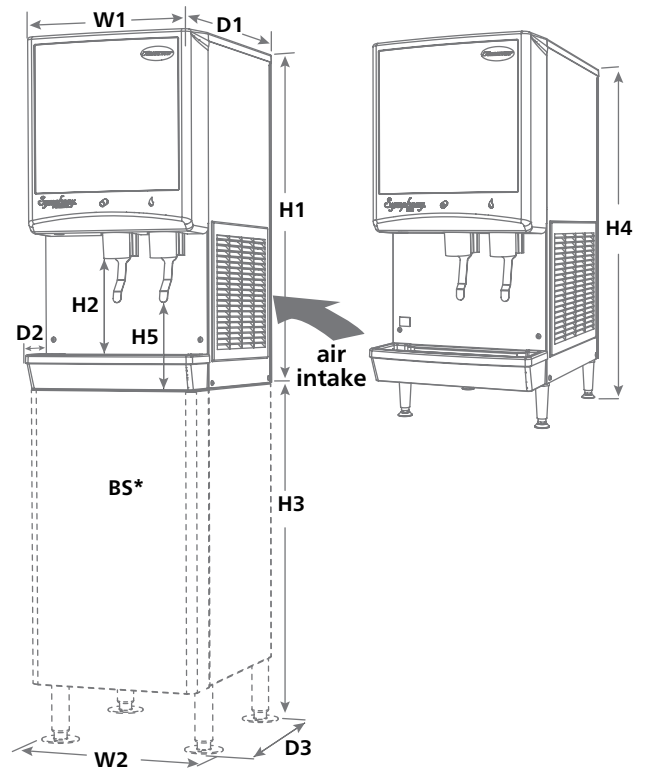
## Specification

Ice storage capacity	12 lb (5.4 kg)
<b>W1</b> Width, dispenser	16.12" (40.9 cm)
<b>W2</b> Width, base stand accessory	17.50" (44.4 cm)
<b>D1</b> Depth, entire dispenser	23.50" (59.7 cm)
<b>D2</b> Depth, drain pan	5.50" (13.97 cm)
<b>D3</b> Depth, base stand accessory	22.00" (55.9 cm)
<b>H1</b> Height, dispenser	32.50" (82.6 cm)
<b>H2</b> Dispense height clearance	9.38" (23.83 cm)
<b>H3</b> Height, base stand accessory	33.00" (83.8 cm)
<b>H4</b> Height, leg kit accessory	36.64" (93.1 cm)
<b>H5</b> Height, bottom of lever or sensor to bottom of dispenser	lever models – 5.70" (14.48 cm) SensorSAFE models – 7.10" (18.03 cm)
Ventilation clearance	6.00" (15.24 cm) top and right side
Service clearance	12.00" (30.5 cm) top
Utility connection location	through back or bottom
<b>C1</b> 115 V/60/1 electrical	7.2 amps, 8.5' (2.6 m) cord with NEMA 5-15 90° hospital-grade plug
<b>C2</b> Potable water inlet	3/8" FPT
<b>C3</b> Drain	3/4" MPT
Refrigerant	R290, 3.49 oz (99 g)
Air temperature	50 -100 F (10 - 38 C)
Water temperature	45 - 90 F (7 - 32 C)
Water pressure	10 - 70 psi (69 - 483 kpa)
Heat rejection	5000 BTU/hr
Approximate net weight	144 lb (65 kg)
Approximate ship weight	199 lb (90 kg)
Approximate ship weight, base stand accessory	74 lb (34 kg)

NOTE: For indoor use only

SHORT FORM SPECIFICATION: (Choose one) \_\_\_ Ice and water or \_\_\_ ice-only dispenser to be Follett® automatic load in countertop configuration, with 12 lb (5.4 kg) of storage and separate ice and water chutes. Environmentally responsible R290 air-cooled ice machine to have 24 hour production capacity of approximately 425 lb (193.0 kg) of Chewblet compressed nugget ice at water temperature of 70 F (21 C); air temperature of 50 F (10 C). Ice machine equipped with automatic self-flushing and Quiet Night sleep mode. Dispenser to have automatic bin level control to start and stop ice machine. Storage area insulated with CARB compliant non-HFC foam. 8.5' (2.6 m) cord and NEMA 5-15 90° hospital grade plug provided. NSF and UL listed.

## Dimensional drawing



**BS\***– Base stand sold separately; measurements shown are with base stand legs at lowest position.

See dispenser detail sheet, form# 6675, for counter cutouts.

<sup>1</sup> Disclaimer: Antimicrobial protection is limited to the treated components and does not treat water or ice.

ENERGY STAR and the ENERGY STAR mark are registered trademarks owned by the U.S. Environmental Protection Agency.  
Agion is a registered trademark of Sciescent LLC.  
SYMPHONY PLUS, SENSORSAFE, SAFECLEAN PLUS and QUIET NIGHT are trademarks of Follett Products, LLC.  
CHEWBLET and FOLLETT are registered trademarks of Follett Products, LLC, registered in the U.S. Follett reserves the right to change specifications at any time without obligation. Certifications may vary depending on country of origin.

## 12CI414 series countertop