



Shown with SensorSAFE™
SensorSAFE not recommended for use with clear containers or for applications in direct sunlight.

Symphony Plus™ ice and water dispenser

25 and 50 CI series countertop with Chewblet® ice machine

Features

25 or 50 lb (11.4 or 22.7 kg) ice storage capacity

Counter-height removable air- or water-cooled ice machine with up to 425 lb (193.0 kg) daily production of Chewblet ice

- modular ice machine slides out from behind lower front panel
- soft, chewable, compressed nugget ice is ideal for patient care
- Quiet Night™ sleep mode turns off ice machine when idle

Designed with sanitation in mind

- automatic self-flushing of ice machine removes impurities
- Agion® silver-based antimicrobial provides protection of key ice and water contact components¹
- one-hand lever or SensorSAFE infrared ice dispense

Dependable design, easy to service and clean

- cleaning and sanitizing of entire machine takes only 1 hour
- LED control board provides at-a-glance machine status
- panels are easily removed for accessibility to all components
- ice machine parts are common across all Symphony Plus dispensers
- stainless steel evaporator and auger deliver long life

Environmentally responsible

- R290 refrigerant has a low environmental impact and nominal global warming potential (GWP)
- continuous ice making process uses less electricity and water

Durable, attractive dispenser

- stainless steel cabinet with accent trim
- poly drain pan, grille and dispenser lid are corrosion-resistant
- secured top lid

Easy installation

- comes fully assembled and installs with three easy connections – electric, water and drain

Warranty

- 3 years parts and labor, 5 years compressor parts¹

Certifications (applied to all products unless otherwise noted)



Model configurations				
Ice storage capacity	Configuration	Dispense	Ice machine cooling	Item number
25 lb (11.4 kg)	ice and water	Lever	air	25CI414A-L
	ice-only	Lever	air	25CI414A-LI [†]
	ice and water	Lever	water	25CI414W-L
	ice-only	Lever	water	25CI414W-LI [†]
	ice and water	SensorSAFE	air	25CI414A-S
	ice-only	SensorSAFE	air	25CI414A-SI [†]
	ice and water	SensorSAFE	water	25CI414W-S
	ice-only	SensorSAFE	water	25CI414W-SI [†]
50 lb (22.7 kg)	ice and water	Lever	air	50CI414A-L
	ice-only	Lever	air	50CI414A-LI [†]
	ice and water	Lever	water	50CI414W-L
	ice-only	Lever	water	50CI414W-LI [†]
	ice and water	SensorSAFE	air	50CI414A-S
	ice-only	SensorSAFE	air	50CI414A-SI [†]
	ice and water	SensorSAFE	water	50CI414W-S
	ice-only	SensorSAFE	water	50CI414W-SI [†]

[†] ENERGY STAR® certified

Ice production		
Temperatures air/water	70/50 F (21/10 C)	90/70 F (32/21 C)
Air-cooled	425 lb (193.0 kg)	340 lb (154.4 kg)
Water-cooled	380 lb (172.5 kg)	330 lb (149.8 kg)
Energy consumption per 100 lb (45.4 kg) ice	N/A	6.0 kWh air-cooled 4.3 kWh water-cooled
Condenser water consumption	N/A	0.5 gpm (1.9 Lpm) at 70 F (21 C) water
Water consumption	12.0 gal (45.4 L) of potable water per 100 lb (45.4 kg) of ice	

Options and accessories²

- Base stand with or without factory installed water filter (refer to form# 7010)
- 4.00" (10.16 cm) leg kit (item# 00188417)
- Water filters (refer to form# 1058 and 8320)
- Pressurized water sanitizing kits (refer to form# 1068)
- SafeCLEAN Plus™ ice machine cleaner (refer to form# 8295)
- Nu-Calgon® IMS-III sanitizer (US only), 16 oz (0.5 L) bottle (item# 00979674)
- Additional Symphony Plus accessories (refer to form# 4025 or 2155)

¹ Refer to form# 4025 or 2155 for additional warranty information.

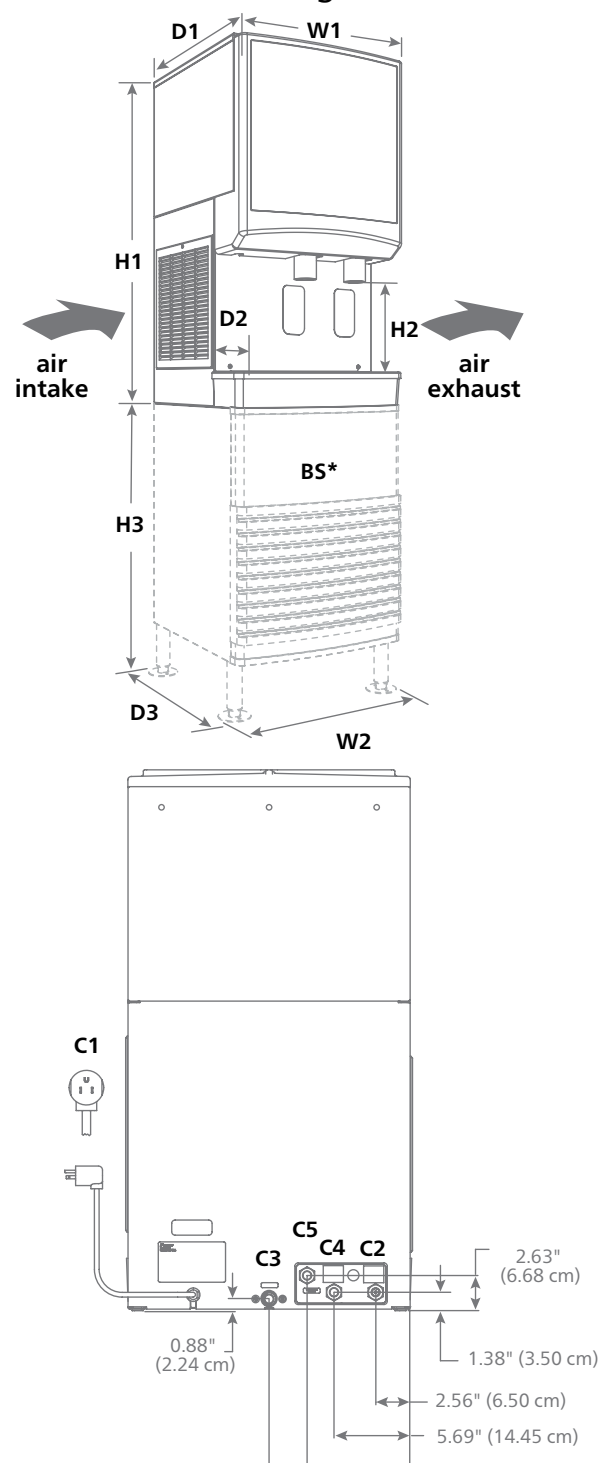
² Certifications do not apply to options and accessories.

Specification

Ice storage capacity	25 Series – 25 lb (11.4 kg) 50 Series – 50 lb (22.7 kg)
W1 Width, dispenser	21.00" (53.3 cm)
W2 Width, base stand accessory	22.75" (57.8 cm)
D1 Depth, entire dispenser	24.00" (61.0 cm)
D2 Depth, drain pan	7.00" (17.78 cm)
D3 Depth, base stand accessory	24.38" (61.9 cm)
H1 Height, dispenser	25 Series – 36.00" (91.4 cm) 50 Series – 40.00" (101.6 cm)
H2 Dispense height clearance	11.50" (29.2 cm)
H3 Height, base stand	33.00" (83.8 cm)
Ventilation clearance	air-cooled models only – 3.00" (7.62 cm) right, left and rear, 4.00" (10.16 cm) top
Service clearance	air-cooled models – 12.00" (30.5 cm) top, 6.00" (15.24 cm) left side water-cooled units – 12.00" (30.5 cm) top
Utility connection location	through back or bottom
C1 115 V/60/1 electrical	7.2 amps, .6.6' (2.0 m) cord with NEMA 5-15 90° hospital-grade plug
C2 Potable water inlet	3/8" FPT
C3 Drain	3/4" MPT
Refrigerant	air-cooled models – R290, 3.49 oz (99 g) water-cooled models – R290, 1.83 oz (52 g)
Water-cooled model connections	
C4 condenser inlet	3/8" FPT
C5 condenser drain	3/8" FPT
Heat rejection	air-cooled models – 5000 BTU/hr water-cooled models – 1400 BTU/hr to air, 3600 BTU/hr to water
Water flow requirement for water-cooled models	0.25 gpm (0.95 lpm) at 50 F (10 C) 0.5 gpm (1.90 lpm) at 70 F (21 C) 1.25 gpm (4.73 lpm) at 90 F (32 C)
Air temperature	50 - 100 F (10 - 38 C)
Water temperature	45 - 90 F (7 - 32 C)
Potable water pressure	10 - 70 psi (69 - 483 kpa)
Condenser water pressure	10 - 125 psi (69 - 861 kpa)
Approximate net weight	188 lb (85 kg)
Approximate ship weight	245 lb (111 kg)
Approximate ship weight, base stand accessory	95 lb (43 kg)
NOTE: For indoor use only	

SHORT FORM SPECIFICATION: (Choose one) ___ Ice and water or ___ ice-only dispenser to be Follett® automatic load in countertop configuration, with ___ 25 lb (11.4 kg) or ___ 50 lb (22.7 kg) of storage. Environmentally responsible R290 ice machine (choose one) ___ air- or ___ water-cooled and to be removable for cleaning and maintenance. Ice machine to produce approximately 425 lb (193.0 kg) of Chewblet compressed nugget ice at air temperature of 70 F (21 C), water temperature of 50 F (10 C). Ice machine equipped with automatic self-flushing and Quiet Night sleep mode. Dispenser to have automatic bin level control to start and stop ice machine. Storage area to be insulated with CARB compliant non-HFC foam. 6.6' (2.0 m) cord and NEMA 5-15 90° hospital-grade plug provided. NSF and UL listed.

Dimensional drawing



BS* – Base stand sold separately; measurements shown are with base stand legs at lowest position. See dispenser detail sheet, form # 6675, for counter cut outs.

¹ Disclaimer: Antimicrobial protection is limited to the treated components and does not treat water or ice.

ENERGY STAR and the ENERGY STAR mark are registered trademarks owned by the U.S. Environmental Protection Agency.
Agion is a registered trademark of Sciesent LLC.
SYMPHONY PLUS, SENSORSAFE, SAFECLEAN PLUS and QUIET NIGHT are trademarks of Follett Products, LLC.
CHEWBLET and FOLLETT are registered trademarks of Follett Products, LLC, registered in the US. Follett reserves the right to change specifications at any time without obligation. Certifications may vary depending on country of origin.

25/50 CI series countertop