

Symphony Plus™ ice and water dispenser

25 and 50 FB series freestanding with Chewblet® ice machine



Removable ice machine for easy service



Features

25 or 50 lb (11.4 or 22.7 kg) ice storage capacity

Removable air- or water-cooled ice machine with up to 425 lb (193.0 kg) daily production of Chewblet® ice

- soft, chewable, compressed nugget ice is ideal for patient care
- Quiet Night™ sleep mode turns off ice machine when idle

Designed with sanitation in mind

- automatic self-flushing of ice machine removes impurities
- Agion® silver-based antimicrobial provides protection of key ice and water contact components¹
- one-hand lever or SensorSAFE™ infrared ice dispense

Dependable design, easy to service and clean

- cleaning and sanitizing of entire machine takes only 1 hour
- LED control board provides at-a-glance machine status
- panels are easily removed for accessibility to all components
- ice machine parts are common across all Symphony Plus dispensers
- stainless steel evaporator and auger deliver long life

Environmentally responsible

- R290 refrigerant has a low environmental impact and nominal global warming potential (GWP)
- continuous ice making process uses less electricity

Durable, attractive dispenser

- stainless steel cabinet with accent trim
- poly drain pan, grille and dispenser lid are corrosion-resistant
- secured top lid

Easy installation

- comes fully assembled and installs with three easy connections – electric, water and drain

Warranty

- 3 years parts and labor, 5 years compressor parts¹

Certifications (applied to all products unless otherwise noted)



Model configurations			
Ice storage capacity	Dispense	Ice machine cooling	Item number
25 lb (11.4 kg)	Lever	air	25FB414A-L
		water	25FB414W-L
	SensorSAFE	air	25FB414A-S
		water	25FB414W-S
50 lb (22.7 kg)	Lever	air	50FB414A-L
		water	50FB414W-L
	SensorSAFE	air	50FB414A-S
		water	50FB414W-S

Ice production		
Temperatures air/water	70/50 F (21/10 C)	90/70 F (32/21 C)
Air-cooled	425 lb (193.0 kg)	340 lb (154.4 kg)
Water-cooled	380 lb (172.5 kg)	330 lb (149.8 kg)
Energy consumption per 100 lb (45.4 kg) ice	N/A	6.0 kWh air-cooled 4.3 kWh water-cooled
Condenser water consumption	N/A	0.5 gpm (1.9 Lpm) at 70 F (21 C) water
Water consumption	12.0 gal (45.4 L) of potable water per 100 lb (45.4 kg) of ice	

Options and accessories²

- Water filters (refer to form# 1058 and 8320)
- Pressurized water sanitizing kits (refer to form# 1068)
- SafeCLEAN Plus™ ice machine cleaner (refer to form# 8295)
- Nu-Calgon® IMS-III sanitizer (US only), 16 oz (0.5 L) bottle (item# 00979674)
- Additional Symphony Plus accessories (refer to form# 4025 or 2155)

¹ Refer to form# 4025 or 2155 for additional warranty information.

² Certifications do not apply to options and accessories.

Specification

Ice storage capacity	25 Series – 25 lb (11.4 kg) 50 Series – 50 lb (22.7 kg)
W1 Width, top	21.00" (53.3 cm)
W2 Width, bottom	22.75" (57.8 cm)
D1 Depth, top	23.75" (60.3 cm)
D2 Depth, drain pan	7.00" (17.8 cm)
D3 Depth, bottom	24.75" (62.9 cm)
H1 Height	25 Series – 62.88" (159.7 cm) 50 Series – 66.88" (169.9 cm)
H2 Dispense height clearance	7.62" (19.4 cm)
Ventilation clearance	air-cooled models only – 3.00" (7.62 cm) right, left and rear, 4.00" (10.16 cm) top
Service clearance	air-cooled models – 12.00" (30.5 cm) top, 6.00" (15.24 cm) left side water-cooled units – 12.00" (30.5 cm) top
C1 115 V/60/1 electrical	7.2 amps, 8.1' (2.5 m) cord with NEMA 5-15 90° hospital-grade plug
C2 Potable water inlet	3/8" FPT
C3 Drain dispenser	3/4" MPT
C4 Drain, ice machine	3/4" MPT
Refrigerant	air-cooled models – R290, 3.49 oz (99 g) water-cooled models – R290, 1.83 oz (52 g)

Water-cooled model connections

C5 condenser inlet	3/8" FPT
C6 condenser drain	3/8" FPT
Air temperature	50 - 100 F (10 - 38 C)
Water temperature	45 - 90 F (7 - 32 C)
Potable water pressure	10 - 70 psi (69 - 483 kpa)
Condenser water pressure	10 - 125 psi (69 - 861 kpa)
Heat rejection	air-cooled models – 5000 BTU/hr water-cooled models – 1400 BTU/hr to air, 3600 BTU/hr to water
Water flow requirement for water-cooled models	0.25 gpm (0.95 lpm) at 50 F (10 C) 0.5 gpm (1.90 lpm) at 70 F (21 C) 1.25 gpm (4.73 lpm) at 90 F (32 C)

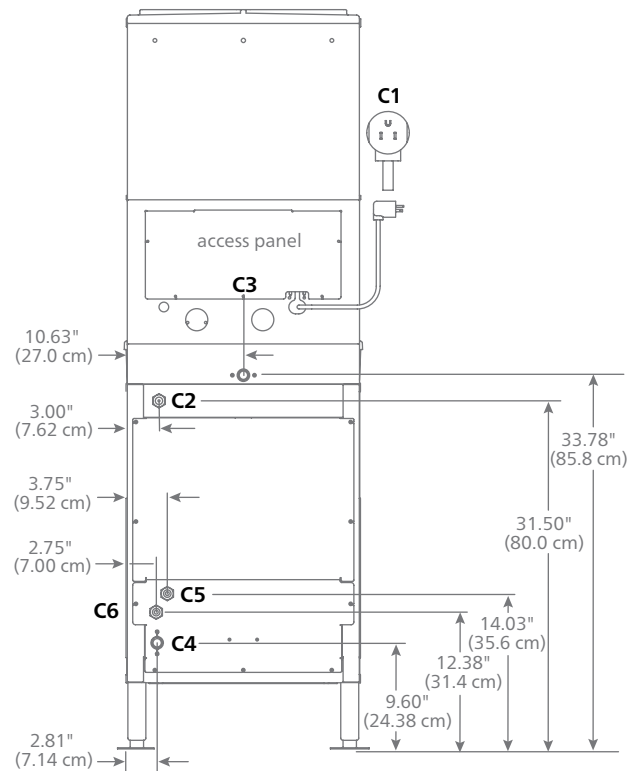
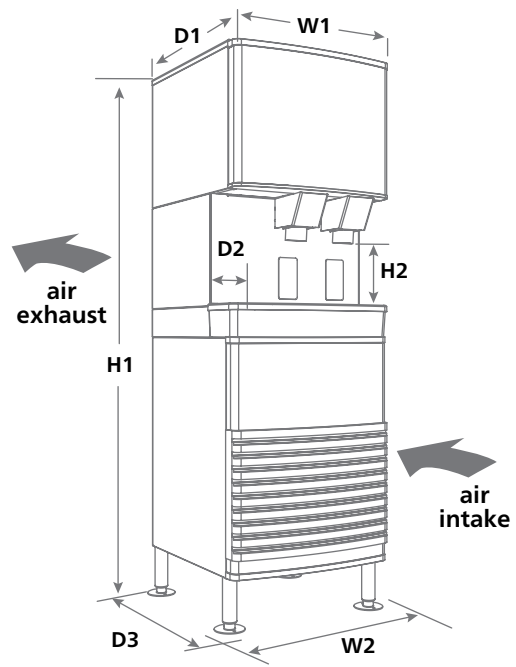
Approximate net weight 212 lb (96 kg)

Approximate ship weight 253 lb (115 kg)

NOTE: For indoor use only

SHORT FORM SPECIFICATION: Ice and water dispenser to be Follett® automatic load in freestanding configuration, with ___ 25 lb (11.4 kg) or ___ 50 lb (22.7 kg) of storage, water station and (choose one) ___ air- or ___ water-cooled ice machine in base. Environmentally responsible R290 ice machine mounted in base and to be removable as one unit for cleaning and maintenance. Ice machine to produce approximately 425 lb (193.0 kg) per day of Chewblet compressed nugget ice at air temp. of 70 F (21 C), water temp. of 50 F (10 C). Ice machine equipped with automatic self-flushing and Quiet Night sleep mode. Dispenser to have automatic bin level control to start and stop ice machine and separate circuitry to allow dispensing to continue with ice machine removed. Dispenser equipped with 6.00" (15.24 cm) adjustable legs, flanged feet. Storage area to be insulated with CARB compliant non-HFC foam. 8.1' (2.5 m) cord and NEMA 5-15 90° hospital-grade plug provided. NSF and UL listed.

Dimensional drawing



Measurements shown are with base stand legs at lowest position.

¹ Disclaimer: Antimicrobial protection is limited to the treated components and does not treat water or ice.

Agion is a registered trademark of Sciecent LLC.

Calgon is a licensed tradename distributed by Nu-Calgon, in the United States.

SYMPHONY PLUS, SENSORSAFE, SAFECLEAN PLUS and QUIET NIGHT are trademarks of Follett Products, LLC.

CHEWBLET and FOLLETT are registered trademarks of Follett Products, LLC, registered in the US.

Follett reserves the right to change specifications at any time without obligation.

Certifications may vary depending on country of origin.

25/50 FB series freestanding