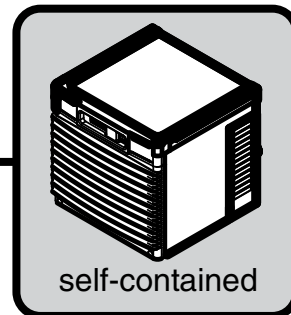


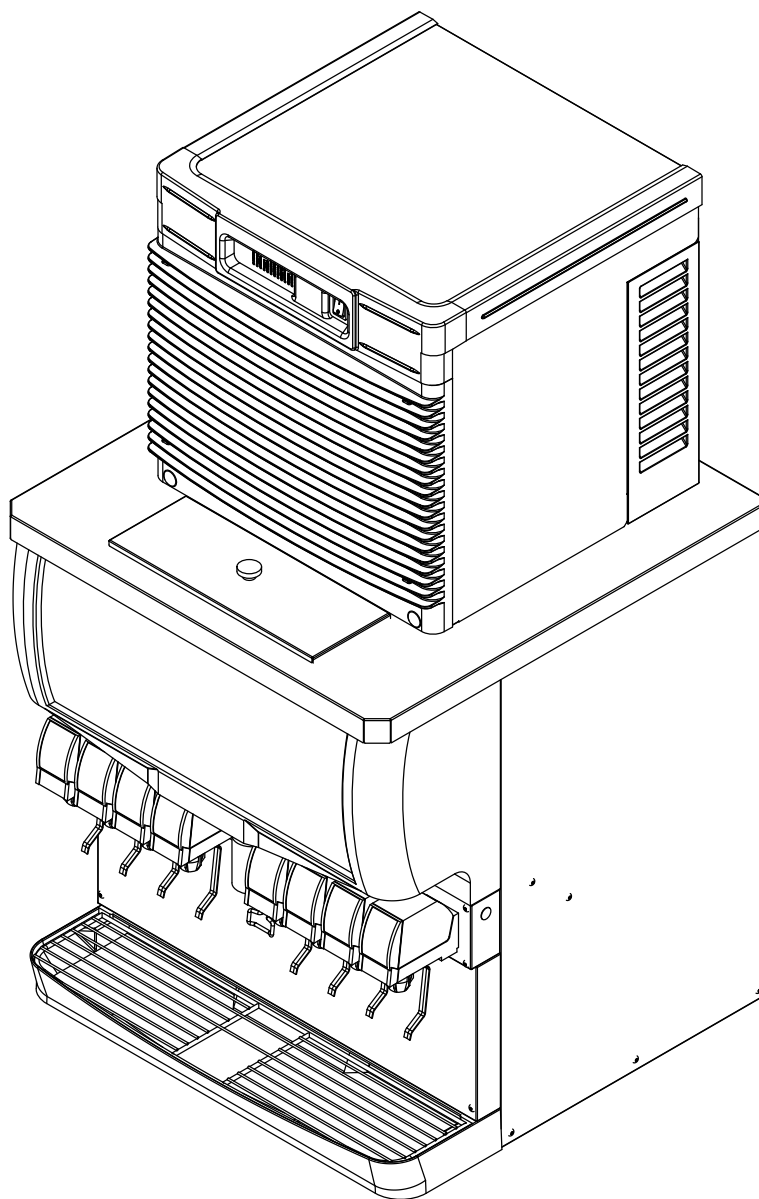
# Maestro Plus™ Ice Machine Installation Instructions for Ice and Beverage Top-mount Applications

D414AT, E414AT

Order parts online  
[www.follettice.com](http://www.follettice.com)



**Maestro Plus top-mount ice machines  
fit most countertop dispensers manufactured by  
Cornelius • Lancer • SerVend**





**1.1.1 Caution: Risk of fire.**

**1.1.2 Warning:** Keep ventilaton openings clear of obstruction.

**1.1.3 Warning:** Do not damage the refrigerant circuit.

**1.1.4 Warning:** Connect to potable water supply only.



## CAUTION!

- Do not tilt unit further than 30° off vertical during uncrating or installation.
- Dispenser bin area contains mechanical, moving parts. Keep hands and arms clear of this area at all times. If access to this area is required, power to unit must be disconnected first.
- This appliance is not suitable for installation in an area where a water jet could be used.
- This appliance must not be cleaned by a water jet.
- User maintenance should not be done by children.
- Follett recommends a Follett water filter system be installed in the ice machine inlet water line (standard capacity, high capacity, carbonless high capacity).
- Prior to operation clean the dispenser in accordance with instructions found in this manual.
- Do not block air intake or exhaust.
- This appliance should be permanently connected by a qualified person in accordance with application codes.
- A qualified person shall provide a readily accessible disconnect device incorporated into the fixed wiring.
- If the supply cord is damaged, it must be replaced by the manufacturer, its service agent or similarly qualified persons in order to avoid a hazard.
- This appliance can be used by children aged 8 years and above and persons with reduced physical, sensory, or mental capabilities, or lack of experience and knowledge if they have been given supervision or instruction concerning use of the appliance in a safe way and understand the hazards involved. Children should be supervised to ensure that they do not play with the appliance.
- This appliance is designed for commercial use.
- **WARNING!** To avoid a hazard due to instability of the appliance, it must be fixed in accordance with the instructions.
- Warranty does not cover exterior or outside installations.
- To reduce risk of shock, disconnect power before servicing.
- Connect to potable water supply only.
- Ice is slippery. Maintain counters and floors around dispenser in a clean and ice-free condition.
- Ice is food. Follow recommended cleaning instructions to maintain cleanliness of delivered ice.

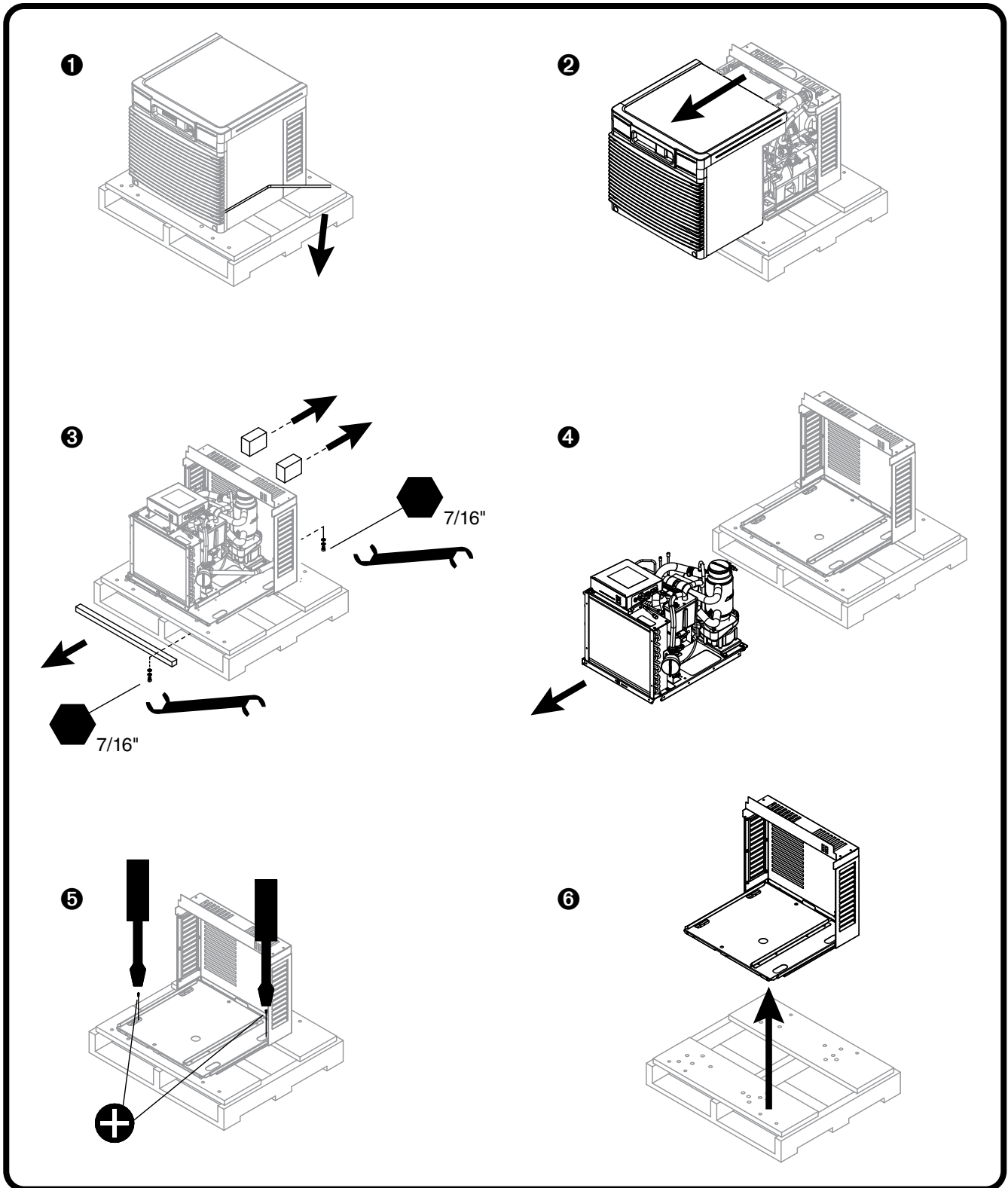
# Contents

- Unpack ..... 4**
  - Unpack Ice Machine ..... 4
- Site Preparation ..... 5**
  - Installation site requirements ..... 5
- Dispenser Top Preparation ..... 6**
  - Top Preparation - CORNELIUS ..... 6
  - Top Preparation - LANCER ..... 6
  - Install grommet ..... 6
- Louvered Docking Assembly Installation ..... 7**
- External Connections ..... 8**
  - Air-cooled ice machines only ..... 8
  - Water-cooled ice machines only ..... 8
- Icemaker Installation ..... 9**
  - Slide in icemaker ..... 9
  - Route transport tube and thermostat ..... 9
  - Internal Connections ..... 9
- Dispenser Agitation Adjustment ..... 11**
  - Agitation adjustments - CORNELIUS ..... 11
  - Agitation adjustments – LANCER 4500 SERIES ..... 11
  - Agitation adjustments – LANCER FS SERIES ..... 12
  - Agitation adjustments – SERVEND ..... 12
  - Dispenser diverter plate overview – CORNELIUS, ED, DF AND DB SERIES  
(installation on next page) ..... 13
  - Dispenser diverter plate installation – CORNELIUS, ED, DF AND DB SERIES ..... 14
- Front Cover and Start Up ..... 15**
  - Install cover ..... 15
  - Start Up ..... 15

# 1. Unpack

Carefully unpack and inspect the contents of your Follett ice machine.

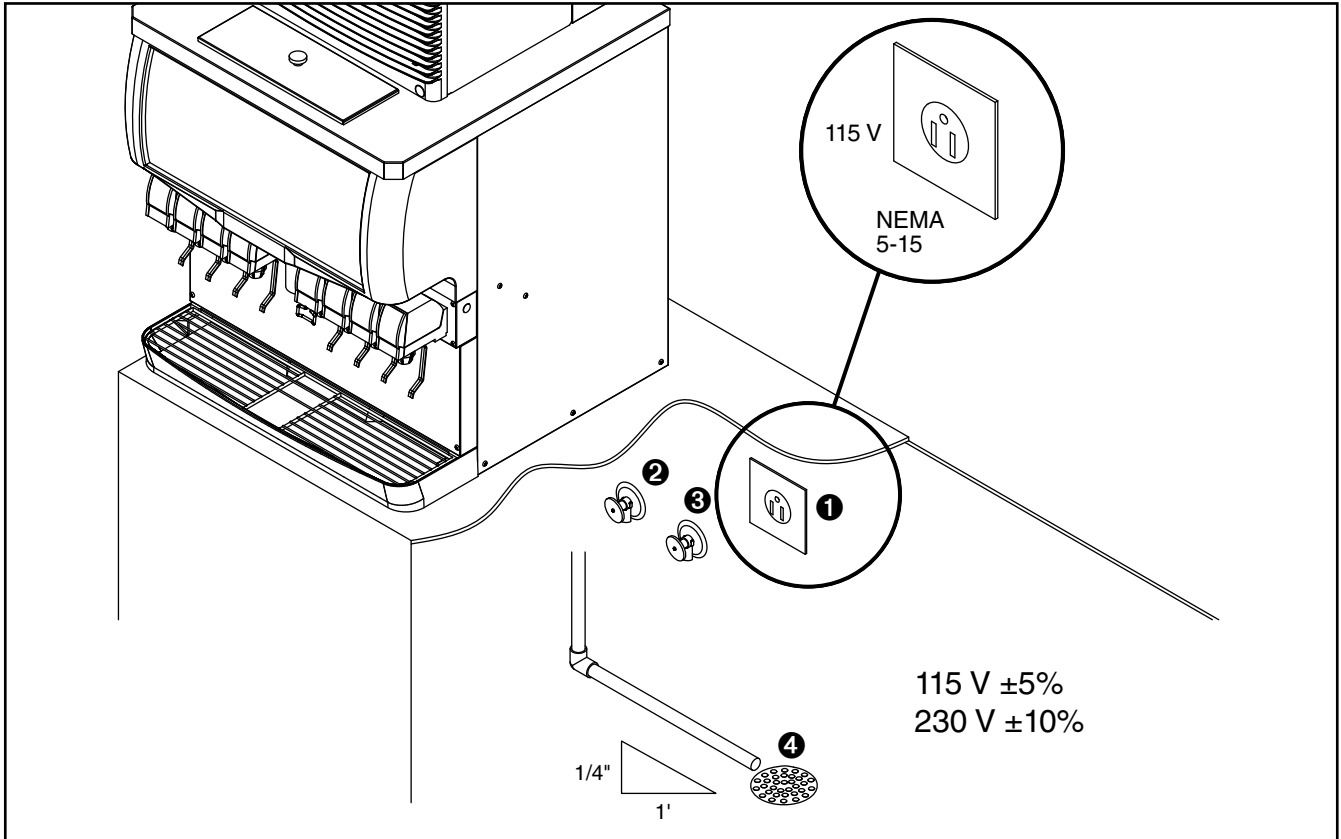
## 1.1 Unpack Ice Machine



## 2. Site Preparation

Provide drainage, potable water supply and electrical power to within 6 feet (2m) of ice machine in accordance with local and national codes. Outdoor installation is not recommended and will void warranty.

### 2.1 Installation site requirements



#### Electrical ①

#### ⚠ WARNING!

- This appliance should be connected by a qualified person in accordance with application codes.
- If the supply cord is damaged, it must be replaced by the manufacturer, its service agent or similarly qualified persons in order to avoid a hazard.

D414AT 115/60/1 (115 V ±10%) 15A breaker  
(Requires a 15A dedicated circuit)

E414AT (230/50/1 - 5.5A (full load)  
(Requires a dedicated circuit, 1.50 mm<sup>2</sup> wire)

#### Potable Water Supply ②

10 psi to 70 psi (69 kpa to 483 kpa)

45 F to 90 F (7 C to 32 C)

#### Condenser water supply for water-cooled systems ③

10 psi min.; 125 psi max. (69 kpa min.; 862 kpa max.)

20 F to 90 F (-7 C to 32 C)

0.5 gallons (1.9 liters) per minute

#### Drain ④

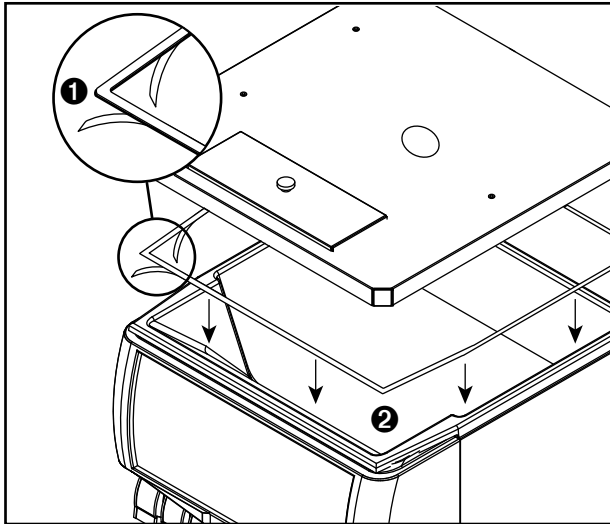
The drain line from the ice machine must have at least 1/4 in. per foot (6,4 mm/0,3 m) pitch

### 3. Dispenser Top Preparation

Prepare the dispenser.

**Note:** The instructions below only apply to 22" & 30" wide dispensers. 44" wide dispenser instructions may be found with the top kit.

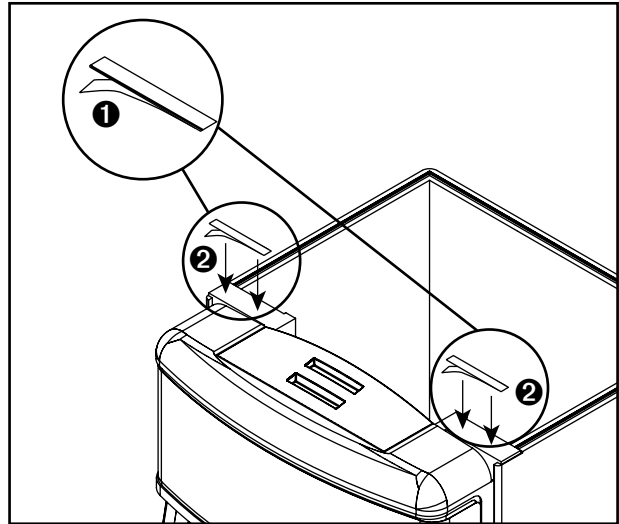
#### 3.1 Top Preparation - CORNELIUS



##### All models

- Remove protective tape from gaskets ①.
- Apply gasket ②.

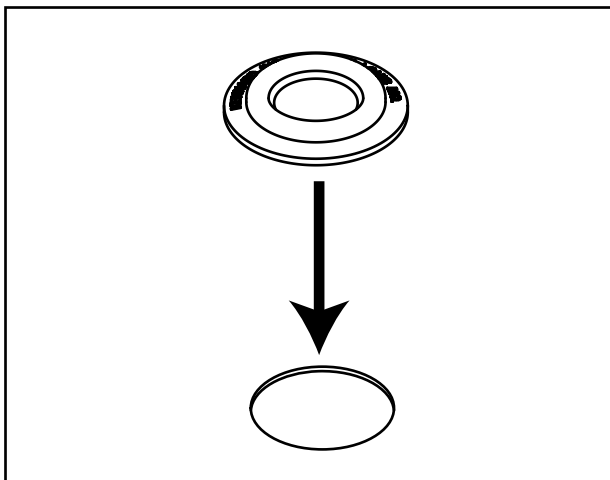
#### 3.2 Top Preparation - LANCER



##### Lancer models only

- Remove protective tape from gaskets ①.
- Apply gasket ②.

#### 3.3 Install grommet

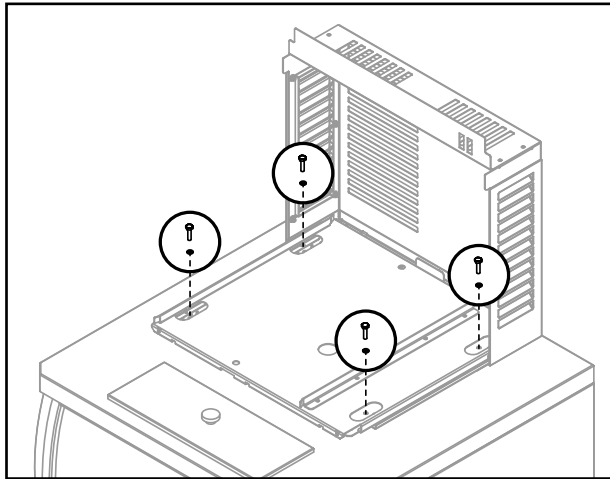


- Insert grommet into dispenser top.

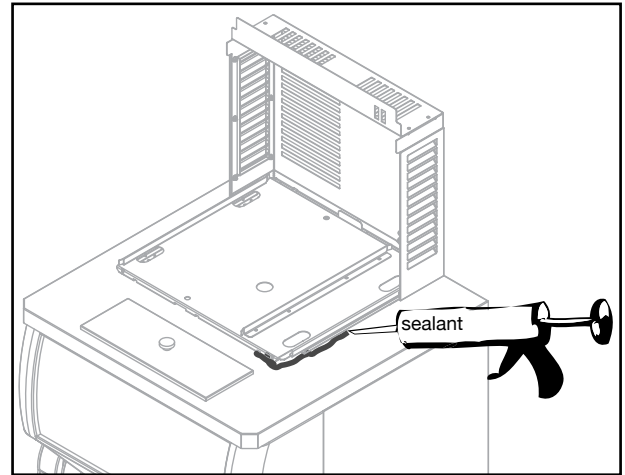
## 4. Louvered Docking Assembly Installation

### WARNING!

- Docking station must be secured in accordance with these instructions to ensure ice machine stability.
- Ventilation openings in the louvered docking station should be clear of obstruction. Failure to do so could result in damage to equipment.
- Plug must be accessible after final installation.



- Mount louvered docking assembly using four screws provided.



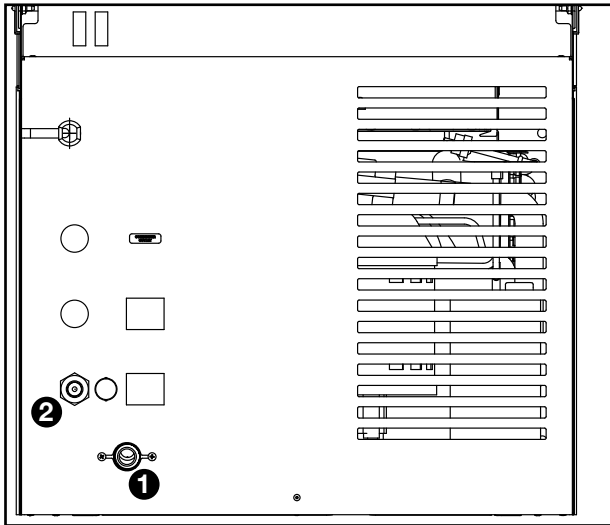
- Seal perimeter of docking station to mounting surface.

## 5. External Connections

---

Connect utilities to louvered docking assembly.

### 5.1 Air-cooled ice machines



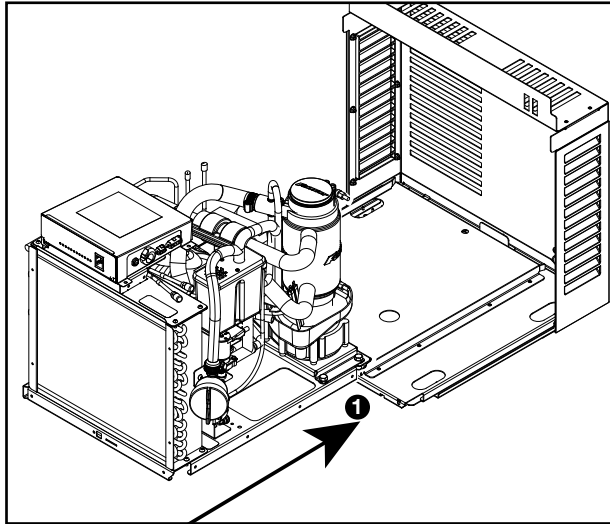
- Install drain line **1** (3/4" MPT).  
The rigid drain line from the ice machine must have at least 1/4" per foot (6,4 mm/0,3 m) pitch.
- Install ice machine potable water supply **2** (3/8" FPT).

**Note:** Follett recommends a Follett water filter system be installed in the ice machine inlet water line (standard capacity #00130299, high capacity #00978957, carbonless high capacity #01050442).



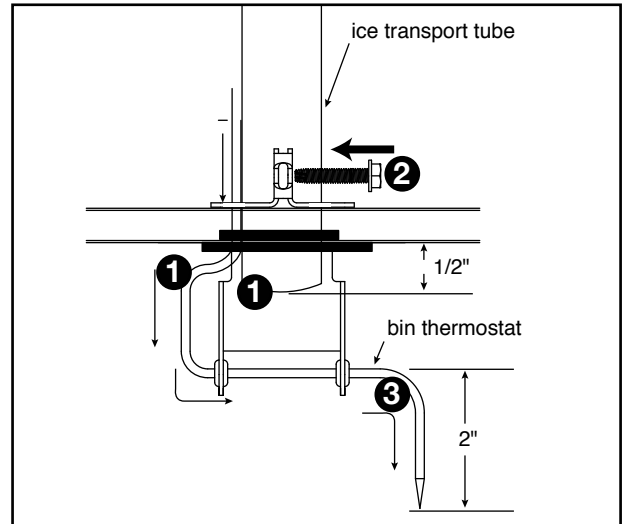
## 6. Icemaker Installation

### 6.1 Slide in icemaker



- Slide ice machine into louvered docking assembly **1**.

### 6.2 Route transport tube and thermostat



- Lubricate transport tube with water then route transport tube and thermostat through grommet and into dispenser **1**.

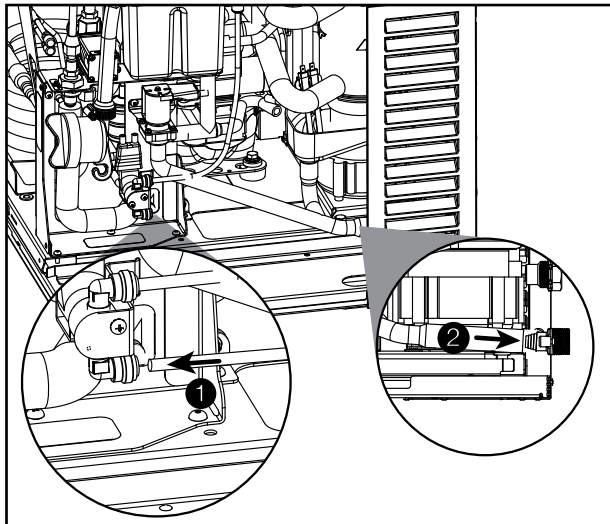
**Note:** Lubricating transport tube will allow entry into the grommet without the grommet being forced out of the hole/into dispenser.

- Tighten clamp to secure transport tube **2**.
- Route thermostat and secure in bracket **3**.

### 6.3 Internal Connections

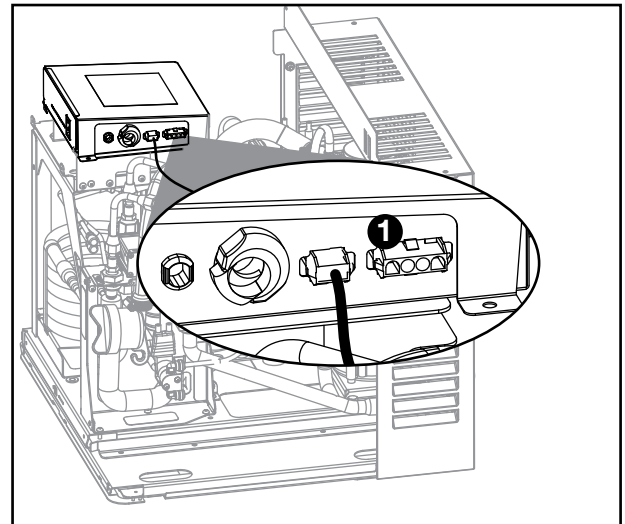
Air-cooled ice machines – follow steps 6.3.1 and 6.3.2.

#### 6.3.1 Potable Water and Drain Line



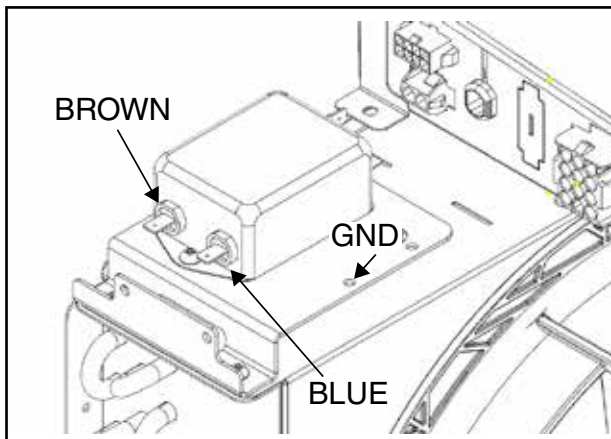
- Insert potable water line into fill valve **1**.
- Connect drain line to barbed fitting on docking station **2**.

#### 6.3.2 Power Cable - 120 V/220 V



- Connect power cable to electrical box **1**.

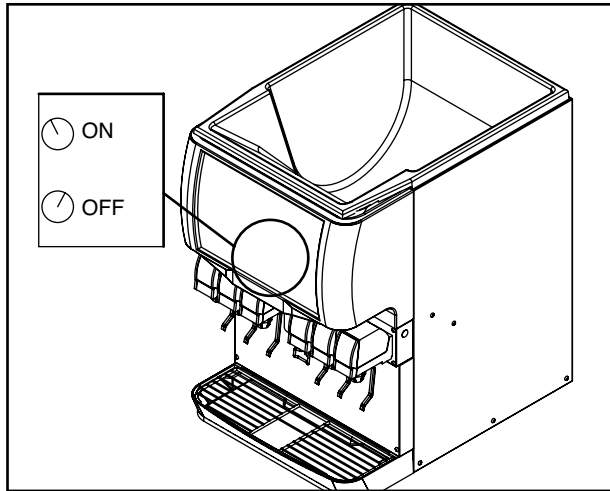
### 6.3.2 Power Cable - 230 V R290



- Make connections as shown.

## 7. Dispenser Agitation Adjustment

### 7.1 Agitation adjustments - CORNELIUS



#### Cornelius models ED, DB, DF, IDC and Flavor Fusion

- Adjust the agitation tier located on the Cornelius PC board to 1 second on, 1 hour off.

**Note:** see Cornelius manual for more information.

### 7.2 Agitation adjustments – LANCER 4500 SERIES

**AGITATION TIME**

| SWITCH NUMBER | 1 S | 4 S | 4 S | 4 S |
|---------------|-----|-----|-----|-----|
| 3             | O   | O   | X   | X   |
| 4             | O   | X   | O   | X   |

**AGITATION FREQUENCY**

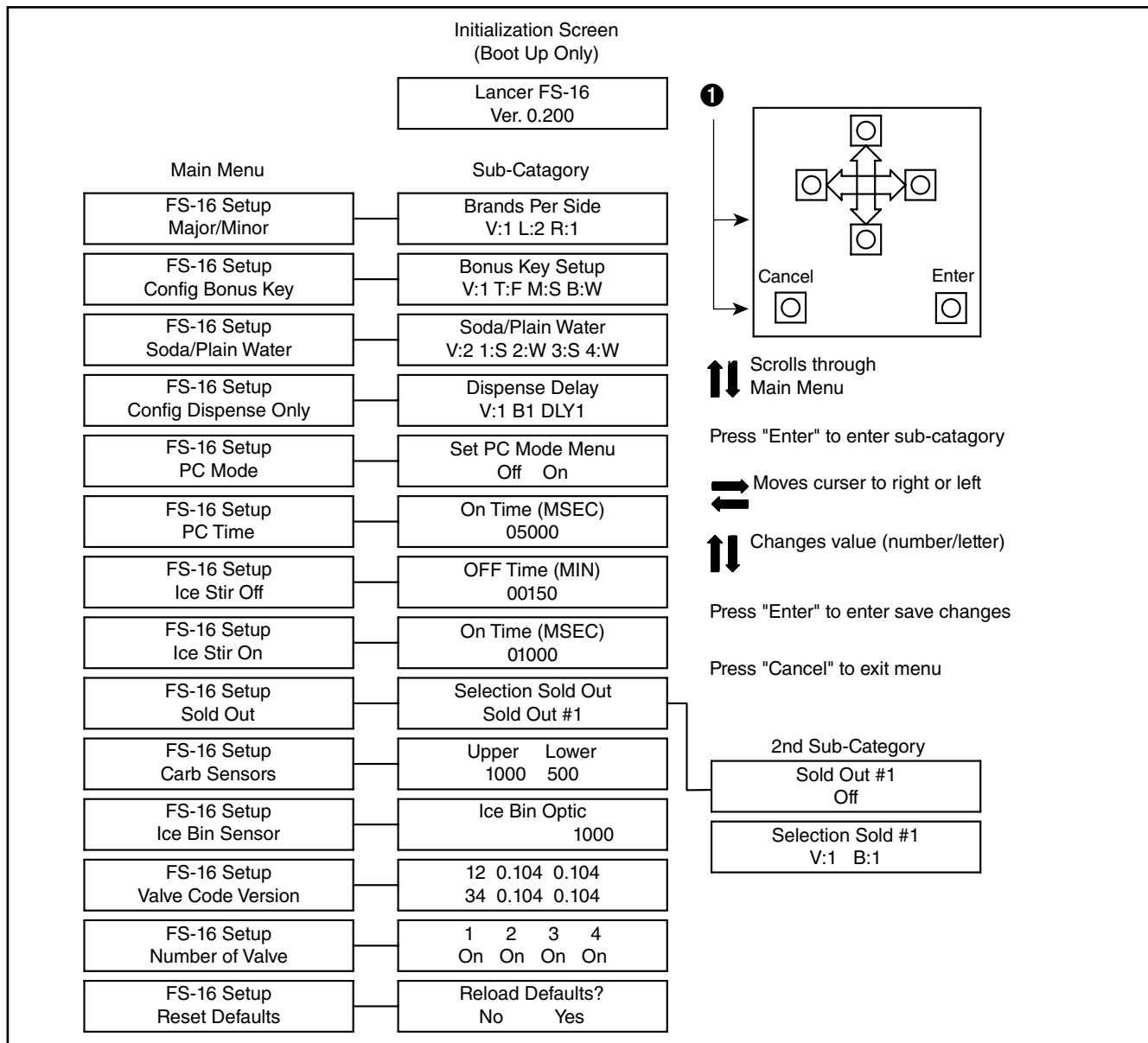
| SWITCH NUMBER | NONE | 10 MIN | 20 MIN | 30 MIN | 40 MIN | 50 MIN | 60 MIN | 70 MIN | 80 MIN | 90 MIN | 100 MIN | 110 MIN | 120 MIN | 130 MIN | 140 MIN | 150 MIN |
|---------------|------|--------|--------|--------|--------|--------|--------|--------|--------|--------|---------|---------|---------|---------|---------|---------|
| 5             | O    | O      | O      | O      | O      | O      | O      | X      | X      | X      | X       | X       | X       | X       | X       | X       |
| 6             | O    | O      | O      | O      | X      | X      | X      | X      | O      | O      | O       | X       | X       | X       | X       | X       |
| 7             | O    | O      | X      | X      | O      | O      | X      | X      | O      | O      | X       | X       | O       | O       | X       | X       |
| 8             | O    | X      | O      | X      | O      | X      | O      | X      | O      | X      | O       | X       | O       | X       | O       | X       |

**Legend:**  
 X = ON  
 O = OFF

#### Lancer 4500 series only

Adjust the agitation time to 1 second, and the agitation frequency to 150 minutes. See Lancer manual for more information.

## 7.3 Agitation adjustments – LANCER FS SERIES



### Lancer 4500 series only

- Hold down "cancel" and "left button" to get to hidden menu **1**.
- Type in code 6655.
- Type in 150 minutes of off time and 1000 milliseconds (1 second of time) as the preferred setting.

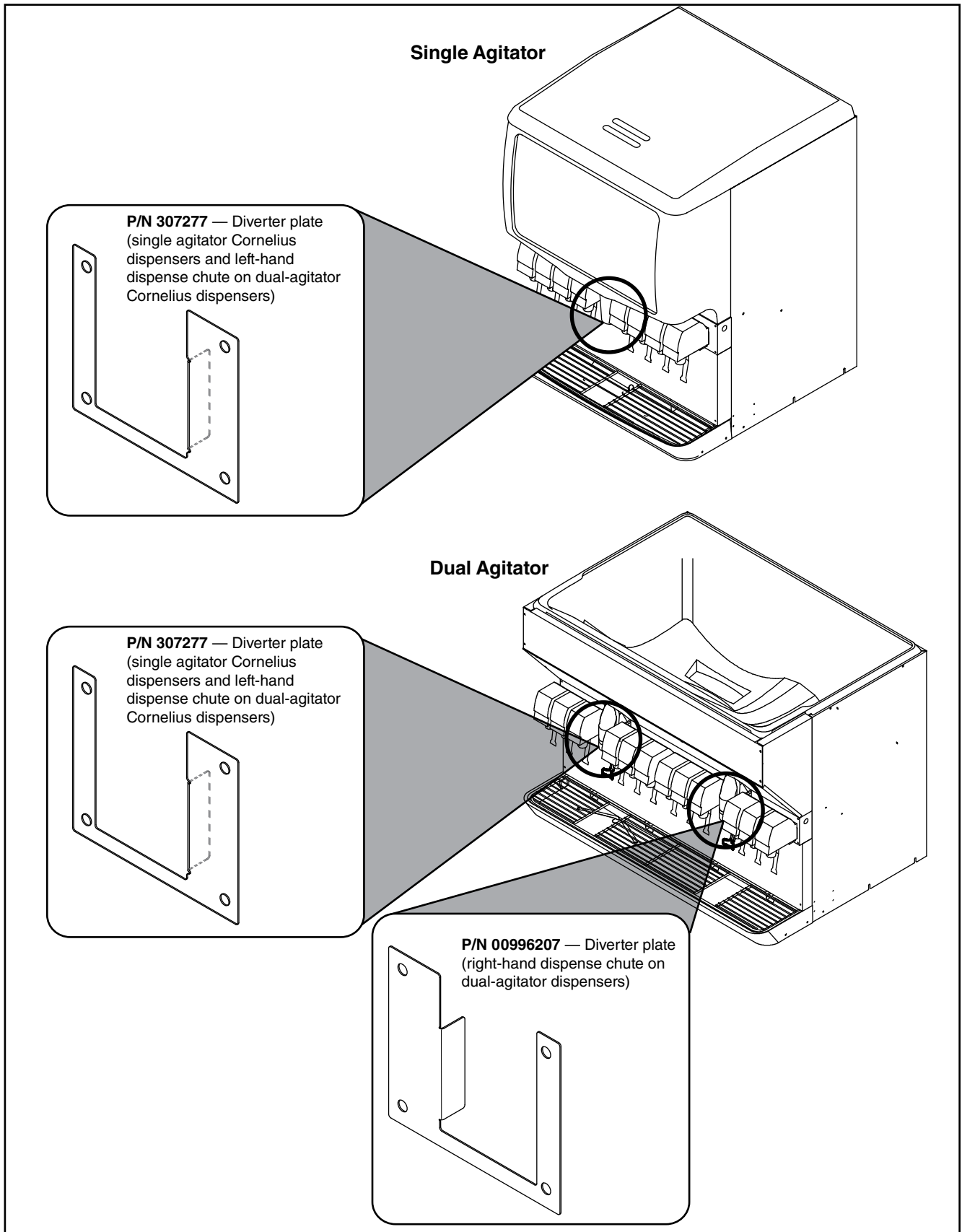
**Note:** see Lancer manual for more information.

## 7.4 Agitation adjustments – SERVEND

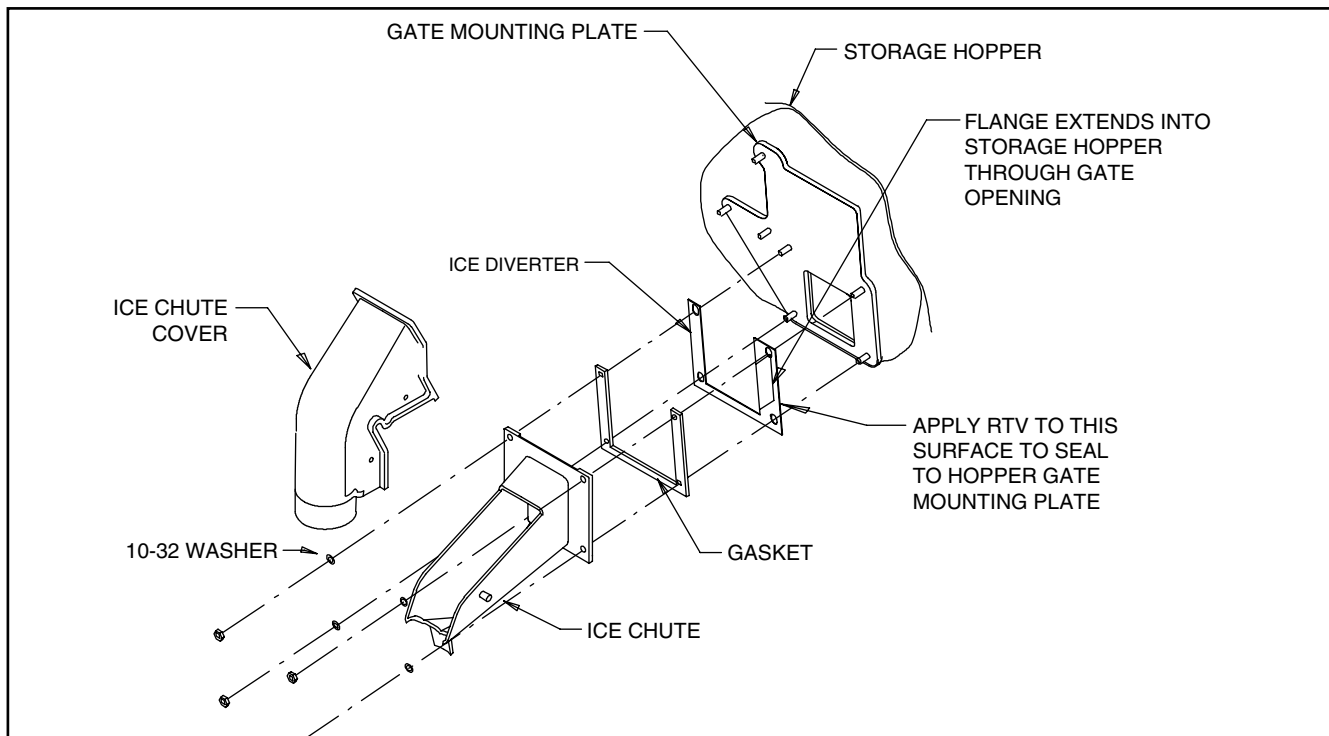
### Lancer 4500 series only

No agitation adjustment required.

## 7.5 Dispenser diverter plate overview – CORNELIUS, ED, DF AND DB SERIES (installation on next page)



## 7.6 Dispenser diverter plate installation – CORNELIUS, ED, DF AND DB SERIES



### CORNELIUS ED, DF AND DB series only

These dispensers require the installation of an ice diverter at the dispenser opening:

- Disassemble chute assembly
- Discard factory restrictor plate
- Replace with alternate diverter plate (supplied)

### Cornelius IDC and Flavor Fusion

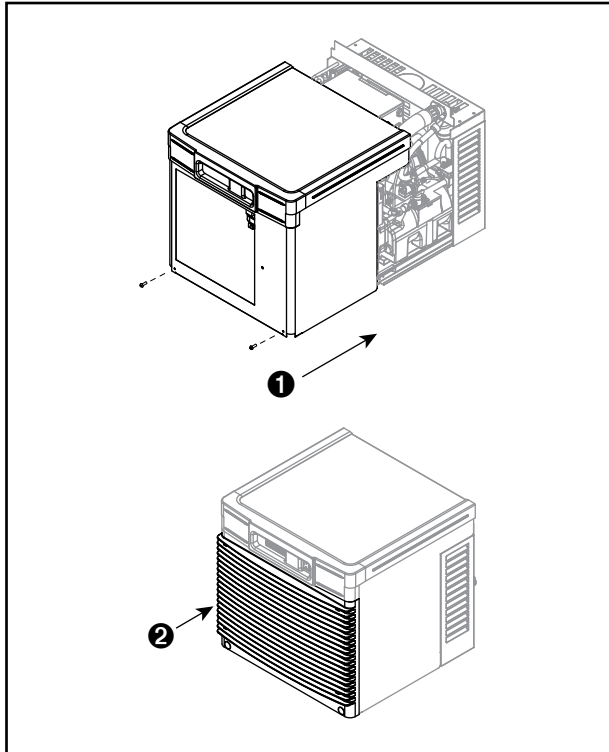
These dispensers require modifications for compatibility with Chewblet ice. Agitation times must be set to 1 second ON, 1 hour OFF and the ice restrictor plate must be adjusted to the fully open position. See your beverage supplier for these modifications.

**Note:** IDC and Flavor Fusion must be nugget-ready. Please contact beverage supplier for installation of ice slide.

## 8. Front Cover and Start Up

Install front cover to ice machine.

### 8.1 Install cover



- Slide ice machine cover over machine, ensuring that tabs on back of cover slip under louvers on back of louvered docking assembly ①, then tighten two screws through cover.
- Place louvered front cover on machine ②.

### 8.2 Start Up

#### Before turning on power

1. Turn on water to ice machine.
2. Check that hose clamp securely holds ice transport tube on nozzle.

#### After turning on power

1. Turn on power to ice machine and confirm that gearmotor, fan motor and compressor start immediately.
2. Check that ice begins to enter dispenser bin area within approximately 10 minutes.
3. Put ice against bin level thermostat in dispenser and check that compressor and gear motor shut down after thermostat opens. Fan motor should run for an additional 10 minutes.
4. Check that ice machine comes back on in approximately 20 minutes (bin signal must be present).
5. Sanitize the ice machine.
6. Sanitize the dispenser.

#### NOTICE!

- Ice machine **MUST** be sanitized prior to operation!
- Consult Operation and Service Manual provided with ice machine for sanitizing instructions.

Maestro Plus is a trademark of Follett Products, LLC.

Follett, Chewblet and RIDE are registered trademarks of Follett Products, LLC, registered in the US.

---

**FOLLETT**<sup>®</sup> 801 Church Lane • Easton, PA 18040, USA  
Toll free (877) 612-5086 • +1 (610) 252-7301  
[www.follettice.com](http://www.follettice.com)

01570076R00  
© Follett Products, LLC 11/24