



Replacement ice machines

for Symphony Plus™ 414 ice and water dispensers

Replacement air- or water-cooled ice machine with up to 425 lb (193 kg) daily production of popular Chewblet® ice

- R290 refrigerant has a low environmental impact and nominal global warming potential (GWP)
- water and energy efficient
- stainless steel evaporator and auger
- quiet production without noisy harvest cycles

Warranty

- 3 years parts and labor, 5 years compressor parts

Accessories

Installation of an in-line water filtration system is recommended

Bacterial retentive water filter system
(refer to form# 8320) (item# 01233659)
___ ea. replacement water filter kit (item# 01244615)

Carbonless water filter kit (refer to form# 1058)
(Item# CARBONLESSHICAPSYS)
___ ea. extra primary water filter cartridge
(item# CARBONLESSHICAPFILT)
___ ea. extra pre-filter cartridge
(item# SEDIMENTPREFILTER)

Standard carbon water filter kit (refer to form# 1058)
(item# CARBONSTDCAPSYSTEM)
___ ea. extra primary water filter cartridge
(item# CARBONSTDCAPFILTER)
___ ea. extra pre-filter cartridge
(item# SEDIMENTPREFILTER)

SafeCLEAN Plus™ ice machine cleaner
(refer to form# 8295)

Nu-Calgon IMS-III sanitizer, 16 oz bottle
(item# 00979674)

| Symphony Plus 414 ice machines | | | |
|---|--------------|--------------|--------------------------|
| Dispenser series | Condenser | Model number | Item number ¹ |
| Countertop and wall mount dispensers with ice machine behind splash panel | air-cooled | 25CI414A | P414A |
| | | 25HI414A | |
| | | 50CI414A | |
| | water-cooled | 25CI414W | P414W |
| 50CI414W | | | |
| Freestanding dispensers with ice machine in base | air-cooled | 25FB414A | P414A |
| | | 50FB414A | |
| | | 110FB414A | |
| | water-cooled | 25FB414W | P414W |
| | | 50FB414W | |
| | | 110FB414W | |

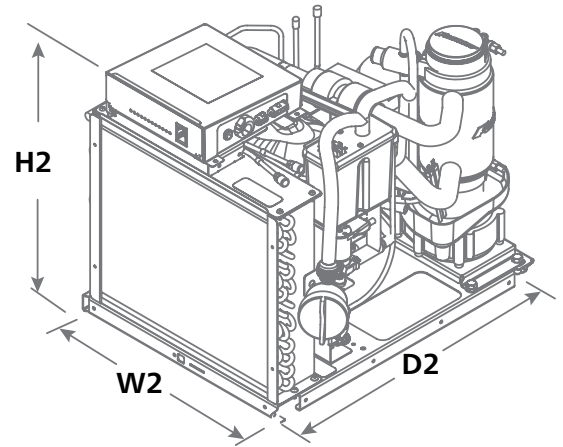
¹ Replacement ice machines are not compatible with Symphony 400 and Symphony Plus 425 dispensers.

Specification

P414A and P414W

| | |
|--------------------------|--|
| W2 Width | 15.25" (38.7 cm) |
| D2 Depth | 19.85" (50.4 cm) |
| H2 Overall height | 16.83" (42.7 cm) |
| Electrical | 7.2 amps |
| 115 V/60/1 | |
| Refrigerant | air-cooled models – R290, 3.49 oz (99 g) water-cooled models – R290, 1.83 oz (52 g) |
| Approximate net weight | 109 lb (49 kg) |
| Approximate ship weight | 130 lb (59 kg) |

Dimensional drawing



SYMPHONY PLUS and SAFECLEAN PLUS are trademarks of Follett Products, LLC.
CHEWBLET, FOLLETT and RIDE are registered trademarks of Follett Products, LLC, registered in the U.S.
Follett reserves the right to change specifications at any time without obligation. Certifications may vary depending on country of origin.