



4.3" touch display
with touch free dispensing



Model configurations				
Ice storage capacity	Configuration	Filter	Voltage V/Hz	Item number
7 lb (3.2 kg)	countertop ice and water	no filter	115/60	7CI114A-IW-NF-CA-00
		internal Claris	115/60	7CI114A-IW-CL-CA-00
	countertop ice-only	internal Claris	115/60	7CI114A-NW-CL-CA-00[†]
For freestanding models				
Optional base stand to convert countertop models to freestanding				01453661³

[†] ENERGY STAR[®] certified

NOTE: For use in applications with greater than 10 mg/l but less than 400 mg/l total dissolved solids in water and less than 100 mg/l hardness (either naturally occurring or treated with reverse osmosis or other hardness reducing technology).
Not recommended for use with salt softened water.

Champion[®] 7 ice and water dispenser

Chewblet[®] ice machine

Models for use in Canada

Features

Compact size, only 17.62" (44.8 cm) tall to fit on counters under standard cabinets

7 lb (3.2 kg) ice storage capacity

Integral air-cooled ice machine with up to 125 lb (57 kg) daily production of popular Chewblet ice

- serves up to 50 people in 9 hours using 4 oz (118 ml) of ice in a 12 oz (355 ml) cup
- soft, chewable, compressed nugget ice is preferred over cubes¹
- environmentally responsible R290 refrigerant with zero ozone depletion potential and low GWP
- energy saving sleep mode
- quiet production without noisy harvest cycles

Durable, attractive dispenser

- modern styling with updated look
- 4.3" LCD capacitive touch display
- easy-to-clean, removable 20 oz (591 ml) drip tray

4.3" LCD capacitive touch display

- touchless dispensing
- advanced alerts, self-diagnostics and self-help menu support
- on-screen ice machine cleaning and sanitizing instructions
- user-selectable language in English, Spanish and French
- component performance data available to servicers for quick and accurate diagnosis
- IoT ready for remote diagnostics to maximize uptime (separate subscription required)

Antimicrobial Shield product protection (in conjunction with recommended cleaning process)

- UV-C light provides supplemental sanitizing effects on water reservoir surfaces, it does not replace normal cleaning practices
- touch free dispensing
- Agion[®] silver-based antimicrobial product protection of key ice and water contact components²

Claris ion exchange scale-inhibiting filters factory supplied for optimum performance in most water conditions

- increases length in between cleanings
- improves equipment life
- models with no filter are only available for applications with RO or ion exchange filtration already in place

Installation

- comes fully assembled
- two easy connections – electric and push-in water connection
- drainless design allows dispenser to be placed anywhere a water line can be run and eliminates the cost of a drain installation

Certifications (applied to all products unless otherwise noted)



¹ Independent third party studies. Contact Follett for details.
² Disclaimer: Antimicrobial protection is limited to the treated components and does not treat water or ice.
³ Certifications do not apply to options and accessories.

Warranty

- 2 years parts and labor, 5 years compressor parts
- optional extended third year warranty (item# 00960732)

Options and accessories³

- SafeCLEAN Plus™ ice machine cleaner (refer to form# 8295)
- Drip tray drain kit for countertop units (item# 01535343)
- Drip tray drain kit for use with base stand (item# 01535335)
- 4.00" (10.16 cm) leg kit for CI - countertop models (item# 00956300)
- 6.00" (15.24 cm) leg kit for base stand (item# 00956318)
- Filter cartridge, replacement Claris (item# 01548635)
- Three year remote monitoring subscription and hardware for Open Kitchen (item# MDD-1003)
- Additional water treatment and other accessories (refer to form# 4025)

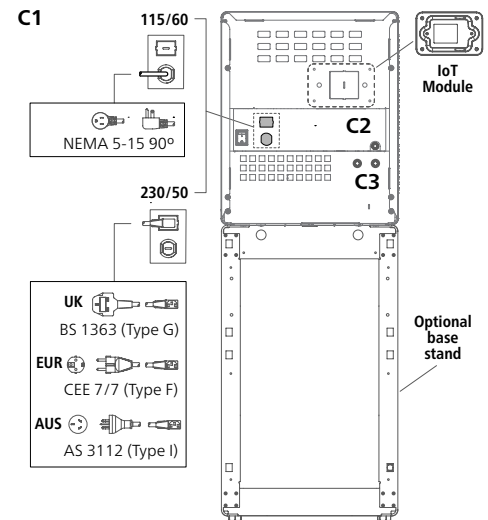
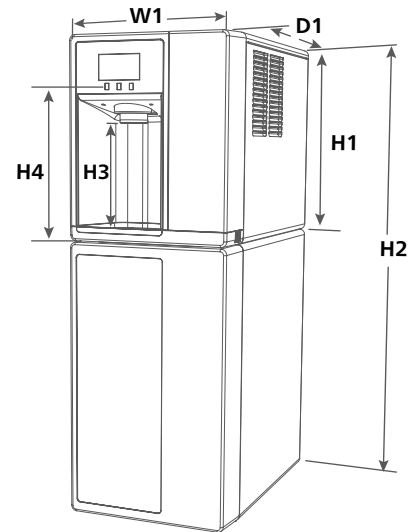
Specification

Ice storage capacity	7 lb (3.2 kg)
W1 Width	14.62" (37.1 cm)
D1 Depth	22.38" (56.8 cm)
H1 Height, countertop models	17.62" (44.8 cm)
H2 Height, with optional base stand	42.00" (106.7 cm)
Height, optional base stand	24.50" (62.2 cm)
H3 Dispense height clearance	9.20" (23.37 cm)
H4 Height, bottom of dispenser to center of touchless sensor	13.00" (33.0 cm)
Clearance	2.00" (5.08 cm) behind and 3.00" (7.62 cm) on sides
C1 115 V/60/1, Includes 8' (2.4 m) cord	3.0 amps Connect to dedicated 15 amp circuit, fuse of breaker.
C2 Water inlet	1/4" push-in
Air temperature	50 - 100 F (10 - 38 C)
Water temperature	40 - 90 F (4 - 32 C)
Water pressure	10 - 70 psi (69 - 482 kpa)
Ice production at 70 F (21 C) air and 50 F (10 C) water	125 lb (56.8 kg)
Ice production at 90 F (32 C) air and 70 F (21 C) water	100 lb (45.4 kg)
Energy efficiency at 90 F (32 C) air and 70 F (21 C) water	4.69 kWh per 100 lb of ice
Water consumption	12 gal (45.4 L) of potable water per 100 lb (45.4 kg) of ice
Refrigerant	R290
Approximate net weight/shipping weight – countertop models	74 lb (34 kg) / 90 lb (41 kg)
Approximate net weight/shipping weight – optional base stand	24 lb (11 kg) / 30 lb (14 kg)

NOTE: Intended for commercial use only. Follett can't guarantee freight carrier's ability to deliver to residential locations. Follett service providers may not be bonded to perform on-site warranty repairs in certain areas.

Champion 7 ice and water dispenser

Dimensional drawing



SHORT FORM SPECIFICATION: (Choose one) ___ ice and water or ___ ice-only dispenser to be Follett automatic load in countertop configuration, with 7 lb (3.2 kg) of storage. 115 V power, environmentally responsible R290 ice machine to be air-cooled. Ice machine to produce approximately 125 lb (57 kg) of Chewblet compressed nugget ice at air temperature of 70 F (21 C) and water temperature of 50 F (10 C). Ice machine to be equipped with onboard diagnostics including amp trace graph to allow simplified servicing and with capacitive touch user interface and touchless dispensing. Storage area to be insulated with CARB compliant non-HFC foam. 8' (2.4 m) cord and plug provided. ENERGY STAR certified (ice-only models). NSF and UL listed. For use in applications with greater than 10 mg/l but less than 400 mg/l total dissolved solids in water and less than 100 mg/l hardness.

ENERGY STAR and the ENERGY STAR mark are registered trademarks owned by the U.S. Environmental Protection Agency. Claris is a registered trademark of the ACLARIS Water Innovations GmbH in Switzerland. Agion is a registered trademark of Sciessent LLC. SAFECLEAN PLUS is a trademark of Follett Products, LLC. CHAMPION, CHEWBLET and FOLLETT are registered trademarks of Follett Products, LLC, registered in the US. Follett reserves the right to change specifications at any time without obligation. Certifications may vary depending on country of origin.