



IM-o485-AQ Square Cube Modular Ice Machine



- Up to **480 lbs** production capacity (70F/50F, 24 Hours)
- 1.25" square cubes
- 30" width for tight spaces in bars and kitchens
- Hinged front panel for easy access and fast cleaning
- USB port for remote monitoring via Open Kitchen™
- Environmentally friendly R290 refrigerant
- Stainless steel, insulated body panels for maximum durability and minimal condensation

Ice Shape



Cube
1 1/4" x 1 1/4" x 1 1/4"
(3.175 x 3.175 x 3.175 cm)

Factory Warranty

Parts & Labor

3 YR

Specifications

BTU Per Hour:

7500

Refrigerant:

R290

- Ambient Temperature Range: 41 to 100.4 F (5 to 34 C)
- Water Temperature Range: 45 to 90 F (7.22 to 32.22 C)
- Potable Water Pressure: Min. 20 psi (137.9 kPA) Max. 80 psi (551.1 kPA)

Ice Machine Electric

120/60/1

Minimum circuit ampacity:

Air-cooled: 17A

Maximum fuse size:

Air-cooled: 30A

Accessories

Applicable Bins

IB-o33
IB-o44
IB-o85-48

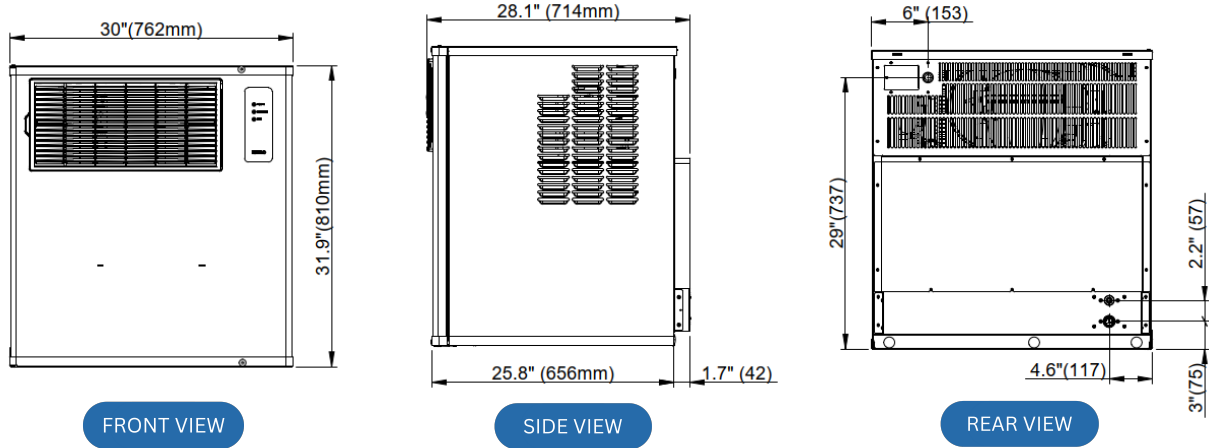
Applicable Bin Adapters

IB-3048B



IM-0485-AQ Square Cube Modular Ice Machine

IM-0480-AQ Air Cooled



Specifications

Dimensions		Width	Depth	Height	Weight
IM-0480-AQ Machine		30"	28.1"	32"	210 lbs (Net) 258 lbs (Shipping)

Model	Ice Shape	Ice Production 24 Hours			Power Usage kWh/100 lbs. @90°Air/70°F	Potable Water Usage/100 lbs. 45.4 kgs. of Ice
		70°Air/ 50°F Water	90°Air/ 70°F Water	1 Ph		
AIR COOLED	IM-0485-AQ	cube	1 ph	1 ph	6.11	16 Gal.
			475 lbs	390 lbs		
			215 kgs	177 kgs		16 Gal.

