



# Infinity Series™

## -30 C plasma freezers

### Features

Patented "infinite speed" control technology delivers superior temperature, noise and energy management

- modular refrigeration system with variable capacity compressor and microprocessor controller provides a  $\pm 1$  C (1.8 F) temperature performance throughout the cabinet
- extremely quiet, 42 dBA

### Superior air distribution

- industry-exclusive plenum air distribution delivers cold air at eight levels

### User-friendly interface

- 7" LCD capacitive touchscreen digital temperature display available in user-programmable C or F
- integral event and data logging with easy downloading via convenient USB port

### Protection for your valuable products

- audible and visual high/low temperature, door open, power failure, low battery alarms
- integral 6.00" (15.24 cm) 7-day chart recorder standard with 50 Celsius charts
- dry contacts for remote alarming

### Superior drawer system for easy, trouble-free rolling

- eight full-extension stainless steel drawers store up to (352) 300 ml plasma cardboard packs in the FZR20i or (472) 300 ml plasma cardboard packs in the FZR25i
- stainless steel roller bearings and S-track design eliminate binding and uneven wear
- drawers and slides lift out without tools for easy cleaning
- track/drawer interface minimizes risk of catching product tubing in slides

### Stainless steel cabinet and high quality components

- full stainless steel interior and exterior provide resistance to rust and corrosion
- quick-connect RTD product temperature probe easily accessible inside storage cabinet
- dished stainless floor contains spills for easy clean up
- heavy-duty dual casters roll easily and lock securely
- 2.75" (6.98 cm) of CARB compliant non-HFC foam throughout

### Heavy-duty door for ease of use and energy savings

- 2.60" (6.60 cm) thick insulated stainless steel door with ADA-compliant full length locking handle
- self-closing hinges lock open at 90 degrees for easy loading

### Warranty

- 2 year parts and labor
- 5 year compressor parts only
- see page 2 for optional extended warranties

### Certifications

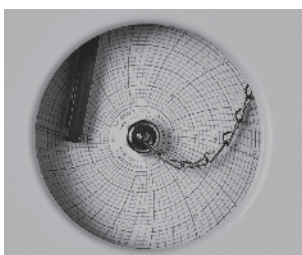


Laboratory Equipment  
SAFETY US/CA – E520098

7" LCD touchscreen display



6.00" (15.24 cm) 7-day chart recorder



## Accessories

Replacement CRS (Complete Refrigeration System) module, all models (item# 01550870)

Replacement "quick connect" RTD probe with certificate of NIST-traceable calibration (item# 01540640)

FZR20i drawer kit (includes 1 drawer and glide hardware) (item# 01554492)

FZR25i drawer kit (includes 1 drawer and glide hardware) (item# 01554500)

Glycerine, 16 oz (item# 00959296)

FZR20i/25i wall bracket kit, seismic anchoring (item# 00927194)

Dry contact kit for refrigerators and freezers for connection to remote alarm systems (item# 01590579)

DicksonOne VFC-compliant freestanding display data logger with Wi-Fi and Ethernet capability for use with any refrigerator or freezer (item# 01528512). NOTE: Subscription from Dickson required to access data on the cloud.

DicksonOne VFC-compliant freestanding touchscreen data logger with Power Over Ethernet and Wi-Fi capability for use with any refrigerator or freezer (item# 01528538). NOTE: Subscription from Dickson required to access data on the cloud.

Ambient temperature and humidity sensor, right angle, for use with DicksonOne freestanding display and touchscreen data loggers (item# 01539691)

Optional extended one year warranty (item# EW12)

- 3 year parts and labor

- 5 year compressor parts only

Optional extended three year warranty (item# EW36)

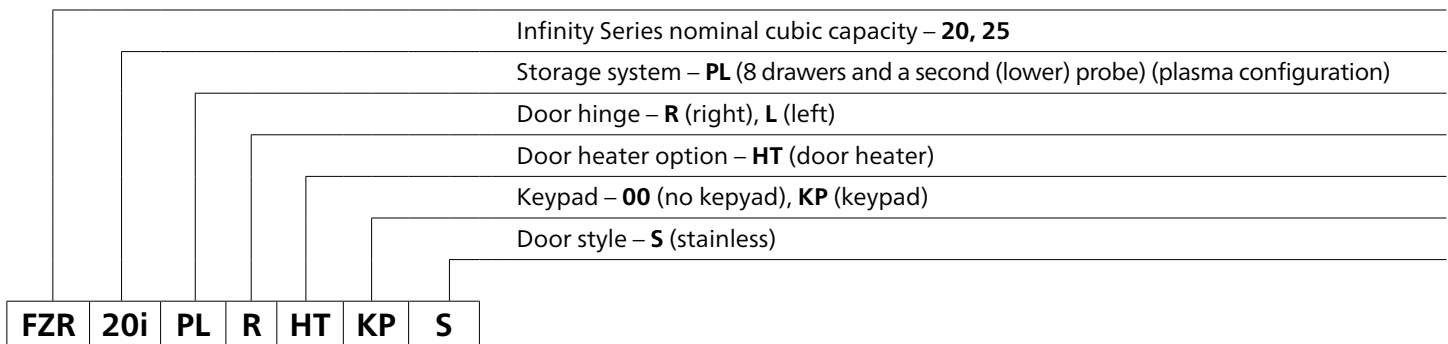
- 5 year parts and labor

For additional accessories, refer to the form# 8665.

NOTE: Accessories ship separately.

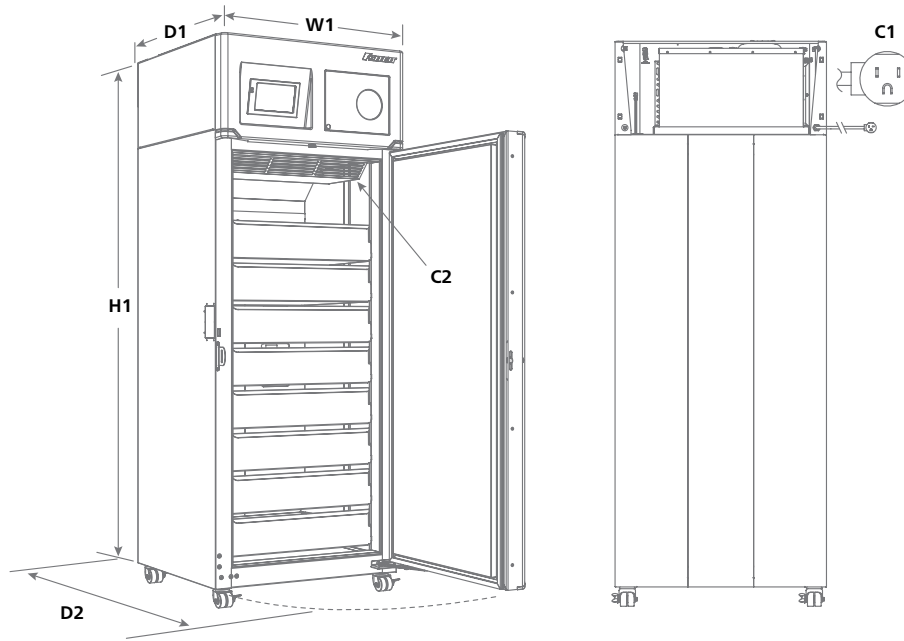
## Model configurations

### Model – Freezer



Item number	Nominal cubic capacity cu ft (L)	Plasma bags (300 ml)	Storage system	Hinging	Door Style	Heated door	Keypad	W1 Width in (cm)	D1 Depth with handle in (cm)	H1 Height with casters in (cm)	Interior height in (cm)
<b>FZR20i-PL-RHT00S</b>	19.7 (558)	352	8 drawers	right	stainless	yes	no	29.75 (75.6)	30.50 (77.5)	79.50 (201.9)	55.94 (142.1)
<b>FZR25i-PL-RHT00S</b>	24.6 (697)	472	8 drawers	right	stainless	yes	no	29.75 (75.6)	36.50 (92.7)	79.50 (201.9)	55.94 (142.1)
<b>FZR20i-PL-RHTKPS</b>	19.7 (558)	352	8 drawers	right	stainless	yes	yes	29.75 (75.6)	30.50 (77.5)	79.50 (201.9)	55.94 (142.1)
<b>FZR25i-PL-RHTKPS</b>	24.6 (697)	472	8 drawers	right	stainless	yes	yes	29.75 (75.6)	36.50 (92.7)	79.50 (201.9)	55.94 (142.1)
<b>FZR20i-PL-LHT00S</b>	19.7 (558)	352	8 drawers	left	stainless	yes	no	29.75 (75.6)	30.50 (77.5)	79.50 (201.9)	55.94 (142.1)
<b>FZR25i-PL-LHT00S</b>	24.6 (697)	472	8 drawers	left	stainless	yes	no	29.75 (75.6)	36.50 (92.7)	79.50 (201.9)	55.94 (142.1)
<b>FZR20i-PL-LHTKPS</b>	19.7 (558)	352	8 drawers	left	stainless	yes	yes	29.75 (75.6)	30.50 (77.5)	79.50 (201.9)	55.94 (142.1)
<b>FZR25i-PL-LHTKPS</b>	24.6 (697)	472	8 drawers	left	stainless	yes	yes	29.75 (75.6)	36.50 (92.7)	79.50 (201.9)	55.94 (142.1)

## Dimensional drawing



## Specification

Ventilation clearance 10.00" (25.4 cm) top, 2.00" (5.08 cm) back

## Exterior

Casters (4) swiveling dual wheel casters with toe locks

**D2** Door swing FZR20i – 56.50" (143.5 cm)  
FZR25i – 62.50" (158.8 cm)

## Interior

Storage system (8) full-extension stainless steel drawers with shielded roller bearings and stainless S-tracks

Inside drawer dimensions FZR20i – 22.50" x 19.94" x 3.00" (57.2 x 50.6 x 7.62 cm)  
W X D X H FZR25i – 22.50" x 25.94" x 3.00" (57.2 x 65.4 x 7.62 cm)

Space between drawers 8.00" (20.32 cm) from the bottom of one drawer, to the bottom of the next

Working load rating per drawer FZR20i – 59 lb (27 kg)  
FZR25i – 78 lb (35 kg)

Max. load rating per drawer FZR20i – 88 lb (40 kg)  
FZR25i – 117 lb (53 kg)

## Door configurations

Door solid stainless steel

Door lock cylinder type with one key

Door handle ADA-compliant, full length handle

Door hinges self-closing with 90° hold open feature

Gasket magnetic dart style (replaceable)

## Electrical

**C1** Electrical 7.5 run load amps, NEMA 5-15 90° hospital-grade plug. 9' (2.7 m) cord.  
115 V/60/1(103 - 132 V)

Maximum size of branch circuit overcurrent device 15 amps dedicated circuit

## Controls

Temperature display 7" LCD capacitive touchscreen digital temperature display available in user-programmable C or F

**C2** 3rd party probe access top right side of cabinet interior

Product temperature display probe (2) quick-connect RTD ( $\pm 0.4$  C,  $\pm 0.7$  F)

Temperature probe calibration top probe calibration in 0.1° increments

Password protection PIN 4 digit password to prevent interface setting/selection changes

Date and time programmable

Product simulation bottle size	(2) 125 ml
Refrigeration and defrost probes	NTC thermistor type
Refrigeration cycle with probe error	factory set, user adjustable
Programmable operating range	-37.2 to -17.8 C (-35 to 0 F)
Factory preset	-30 C

## Alarming

High and low product temperature alarm (top probe)	audible and visual, user programmable set points in C or F
Power failure alarm	audible and visual
Door ajar alarm	audible and visual
Probe error alarm	audible and visual – product temperature probes, refrigeration and defrost
Alarm mute	10 minute ring-back
Alarm volume	0-10 scale
Low battery alert	audible and visual
Back-up battery status	shows voltage level
Min/max temperature log	shows highest and lowest product temperature since last reset occurred
Alarm output	12V DC

## Data logging

Information log	graphs or displays temperature data and displays chronological event data (50,000 data points)
Data export	USB export capabilities

## System performance

Top-to-bottom temperature consistency	± 1 C (1.8 F)
Refrigeration system	integral top-mounted module
Refrigerant and charge	R290 refrigerant, 2.8 oz (80 grams)
Air circulation system	ducted air to each storage level through back plenum openings, front face return
Air temperature pull down	24 to -30 C (72 to -22 F) in 120 minutes
Energy consumption (auto-off defrost)	FZR20i – 5.92 kWh/day FZR25i – 6.26 kWh/day
BTU/hr normal heat rejection (75 F ambient)	1090 BTU/hr (320 Watts)
BTU/hr maximum (total) heat rejection, at maximum compressor speed (75 F ambient)	FZR20i – 2630 BTU/hr (770 Watts) FZR25i – 2660 BTU/hr (780 Watts)

## Shipping

Shipping size W x D x H	42.00" x 43.00" x 86.00" (106.7 x 109.2 x 218.4 cm)
Approximate refrigeration module net weight	67 lb (30 kg)
Approximate net weight	FZR20i – 469 lb (213 kg) FZR25i – 527 lb (239 kg)
Approximate ship weight	FZR20i – 539 lb (244 kg) FZR25i – 598 lb (271 kg)

NOTE: For indoor use only

## SHORT FORM SPECS:

Infinity Series upright refrigerators with variable capacity compressor (choose one) with \_\_\_\_ 19.7 cu ft (558 L) or \_\_\_\_ 24.6 cu ft (697 L) of nominal capacity. To include (8) full-extension stainless steel drawers with shielded roller bearings and stainless S-tracks. Each unit comes standard with a quick-connect RTD probe, 7" LCD capacitive touchscreen with user selectable C or F, integral data and event logging, user-programmable temperature display and integral alarming functions, and integral 6.00" (15.24 cm) 7-day chart recorder standard with 50 Celsius charts. Air circulation system to duct air through back plenum openings with front face return. Storage area to be insulated with CARB compliant non-HFC foam. 9' (2.7 m) power cord with NEMA 5-15 90° hospital-grade plug. UL listed.

INFINITY SERIES is a trademark of Follett Products, LLC.  
FOLLETT and FOLLETT HEALTHCARE are registered trademarks of Follett Products, LLC, registered in the US.  
Follett reserves the right to change specifications at any time without obligation.

## Infinity Series plasma freezers

1053-20260513 | © Follett Products, LLC

801 Church Lane | Easton, PA 18040, USA  
1.800.523.9361 | 1.610.252.7301 | folletthealthcare.com

