

Installation Instructions

Electrical requirements

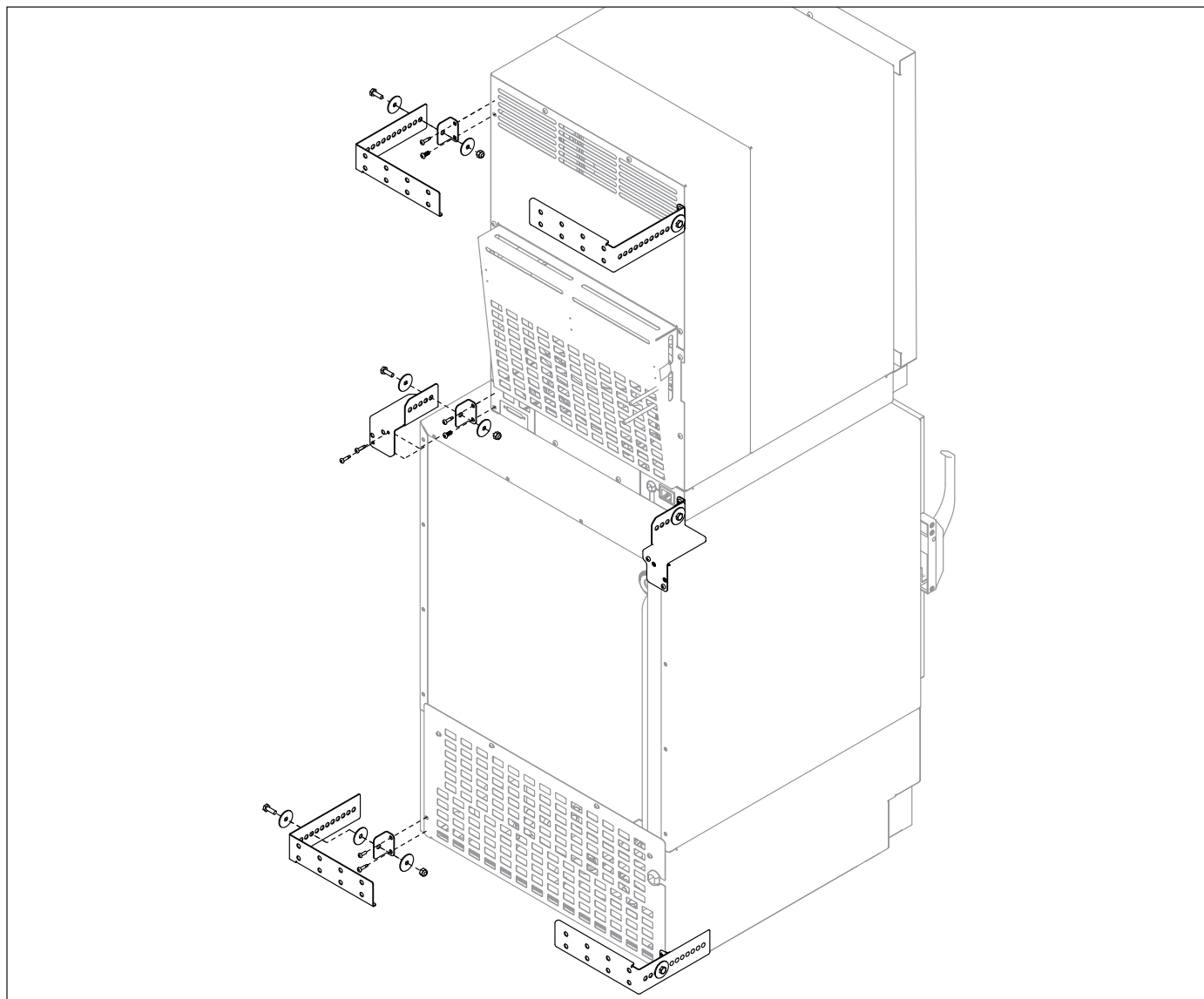
- Each unit requires a separate 15A circuit

Tools required

- #2 Phillips screwdriver
- Channel-lock pliers
- Cordless drill/driver

Materials supplied

- (10) Screw, Pan-head, #8 x 3/4" (00146506)
- (6) Nut, Elastic Stop, 1/4-20 (204884)
- (14) Washer, 9/32 ID x 1-1/4 OD (205561)
- (6) Screw, Cap, Hex-head (201937)
- (1) Bracket, REF1/2, Right (01142405)
- (1) Bracket, REF1/2, Left (01142397)
- (1) Bracket, Wall Anchor (01102904)
- (1) Bracket, Wall (01102912)
- (1) Kickplate
REF (00926592)
FZR (00926584)



CAUTION

- DO NOT TRANSPORT STACKED UNITS. Transporting stacked units can result in damage to units.
- DO NOT USE CASTERS ON STACKED UNITS. Attempting to use casters on stacked units could result in personal injury or damage to the unit.

Installation

Before beginning installation

If you experience any problems during the installation of this kit, please call Follett Technical Service toll-free at (877) 612-5086 for assistance.

Follett's countertop refrigerator/freezer stacking kit may be used ONLY with refrigerators or freezers equipped with a STRAIGHT bottom kickplate (**Fig. 1**).

If your refrigerators/freezers have recessed kickplates (**Fig. 2**), replace them with the straight kickplates.

1. Remove kick panel from REF/FZRP and install supplied straight kick panel (01067016).

Fig. 1 - Straight kickplate

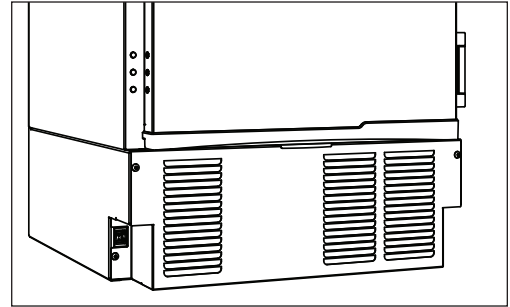
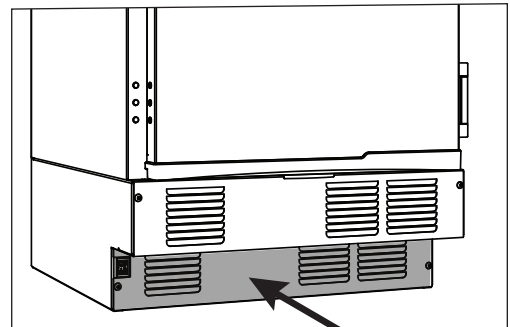


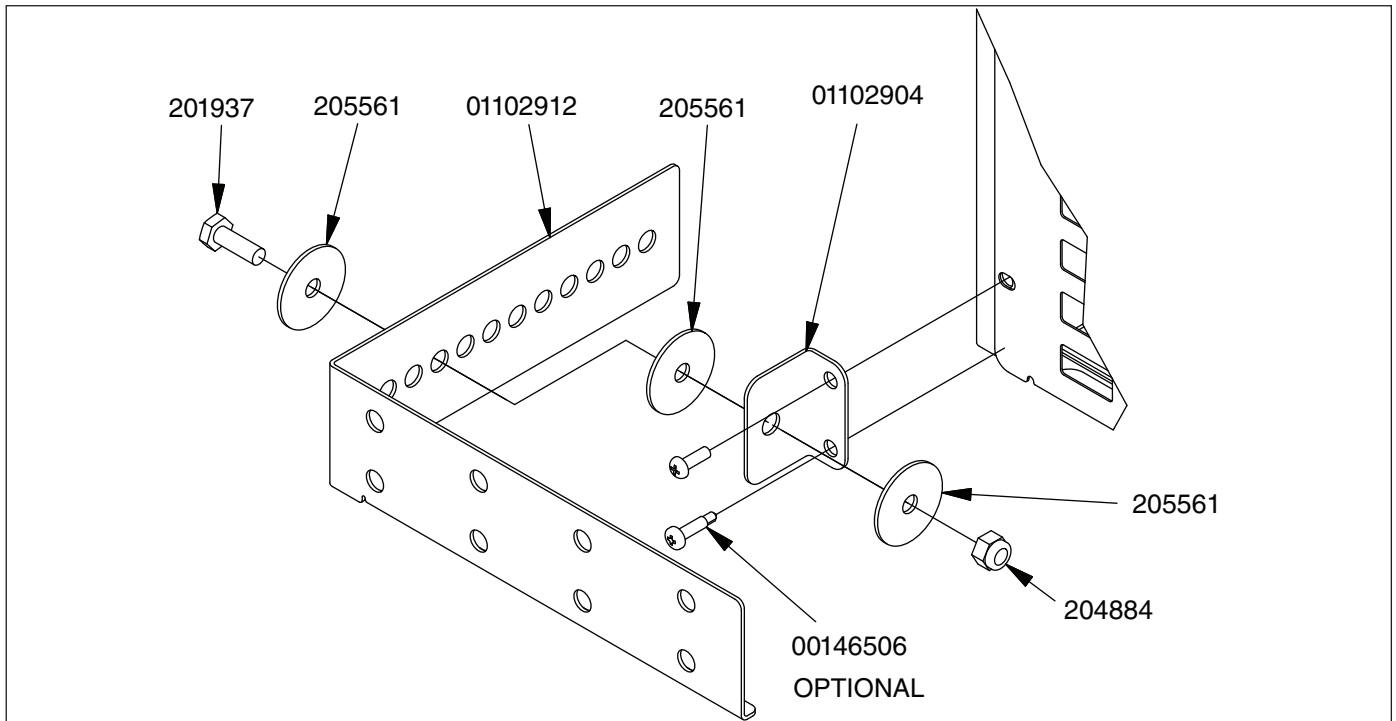
Fig. 2 - Recessed kickplate



Installing brackets

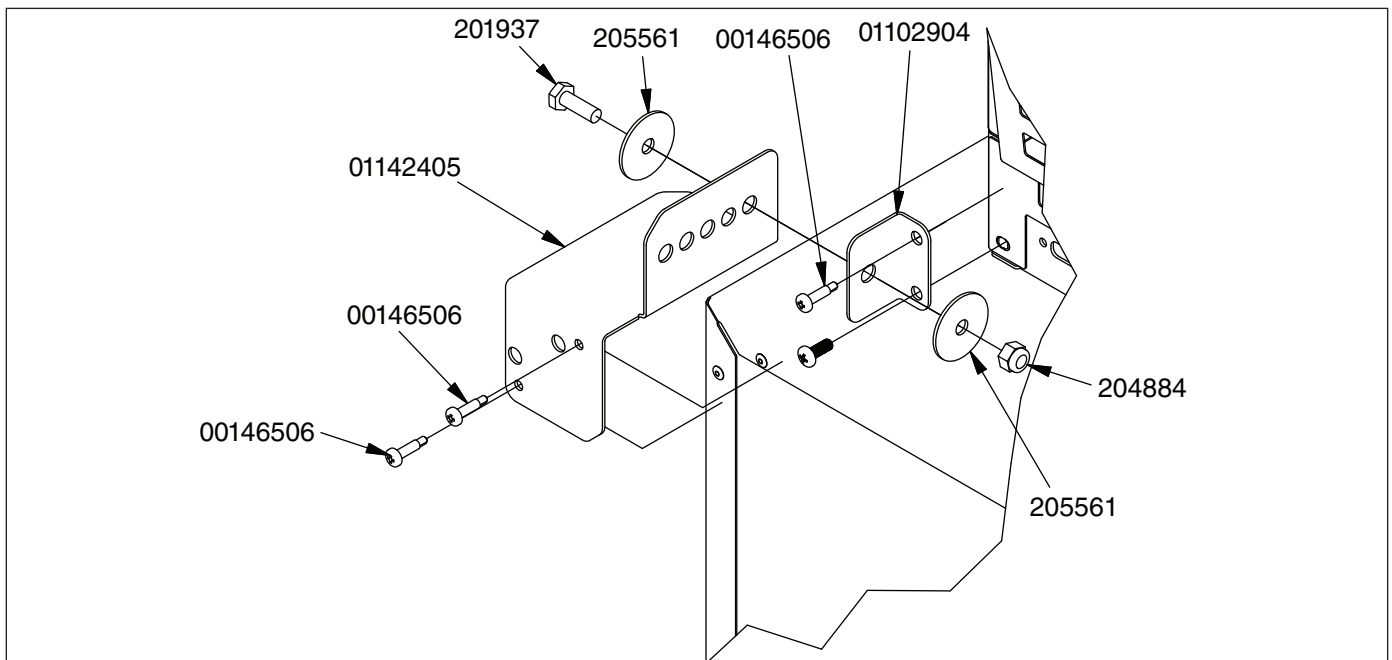
1. Remove the two bottom screws securing the ventilation grille on the rear right and left hand side of the Legacy REF/FZR.
2. Using four Pan Head screws (00146506), secure the Wall Anchor Bracket (01102904) to bottom left and right hand corners of the LegacyREF/FZR.
3. Secure Wall brackets (01102912) to previously installed Wall Anchor Brackets using one Hex head screw (201937), three washers (205561), and one Elastic Stop Nut (204884) per bracket. Refer to **Fig. 3**.

Fig. 3



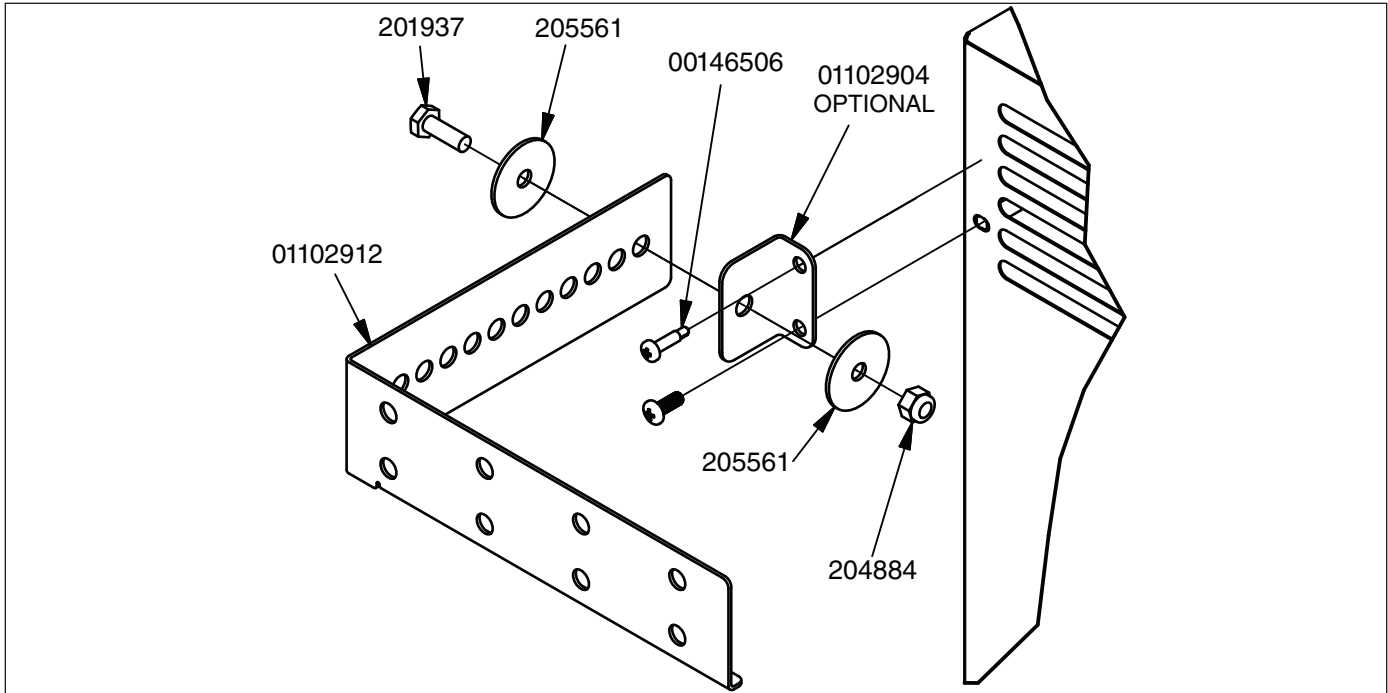
4. Place REF/FZR 1/2 onto REF/FZR 4/5 keeping the fronts flush with each other.
5. Remove existing pan heads screws, from the lower rear right and left hand corner of the REF/FZR 1/2.
6. Secure Wall anchor brackets (01102904) to lower rear L/R hand corner of REF/FZR 1/2 using 2 each pan head screws (00146506)
7. Remove existing Pan head screws from upper L/R hand corners of REF/FZR 4/5.
8. Secure right and left REF/FZR 1/2 brackets (01142397 & 01142405) to upper right and left REF/FZR 4/5 corners.
9. Secure REF/FZR brackets to Wall anchor brackets using one Hex head screw (201937) two flat washers (205561) and one elastic nut (204884). Refer to **Fig. 4**.

Fig. 4



10. Remove two screws located approximately 3" down from the top right and left corners of the REF/FZR 1/2.
11. Secure Wall anchor bracket (01102904) to REF/FZR 1/2 using two pan head screws per bracket (00146506).
12. Secure Wall Bracket (01102912) to Wall anchor bracket using one Hex head screw (201937), two flat washers (205561) and Elastic stop nut (204884). Refer to **Fig. 5**.

Fig. 5



13. Place the stacked unit against the wall and mark holes on upper and lower Wall Brackets.
14. Remove the temporarily connected Wall Brackets and secure to wall at marked holes via approved method.

WARNING! Consult local building code for approved securing method/material. Wall anchor brackets must be installed to secure TOP unit to wall stud and steady the stacked assembly.

Note: CA installations require two wall anchor brackets installed at top AND bottom of units. Go to Follett website <http://www.follettice.com/misc/oshpd.asp> for CA seismic anchorage information for "Stacking refrigerators and freezers." The wall brackets on the bottom unit should be mounted near the floor level.

15. Slide stacked unit into place and secure to Wall Brackets (see Step 12).

Follett is a registered trademark of Follett LLC, registered in US.