

Installation Instructions

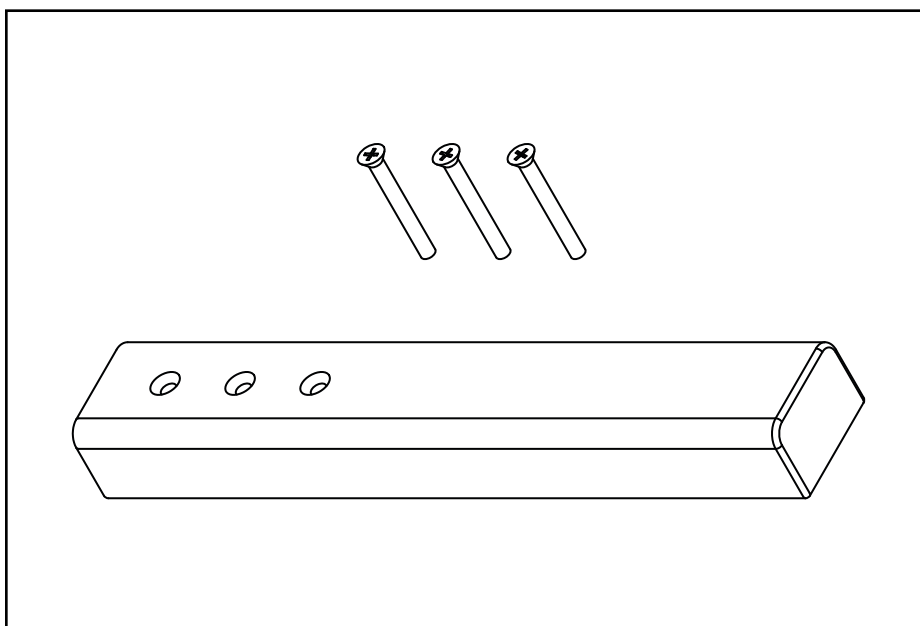
**Description**

The universal mounting lock is designed to attach third party automatic medication dispensing systems to your Follett undercounter refrigerator or freezer.

If you experience any problems during the installation of this kit, please call Follett Technical Service toll-free at (877) 612-5086 for assistance.

**Materials Supplied**

- Three screws, 10-32 x 1.5"
- Universal mounting block



## Installation

The universal mounting block can be attached to either side of the door for a left or right hand door opening. Check the location of the unit before installing the bracket to make sure the door is opening from the desired side.

1. Remove the three screws on the opening side of the door, just above the bottom of the door.
2. Orient the bracket so the block is flush with the front of the door and the screw holes at the bottom end of the bracket.
3. Use the provided screws to attach the bracket to the side of the door. Tighten screws and check to make sure the bracket is flush with the front of the door.

Fig. 1

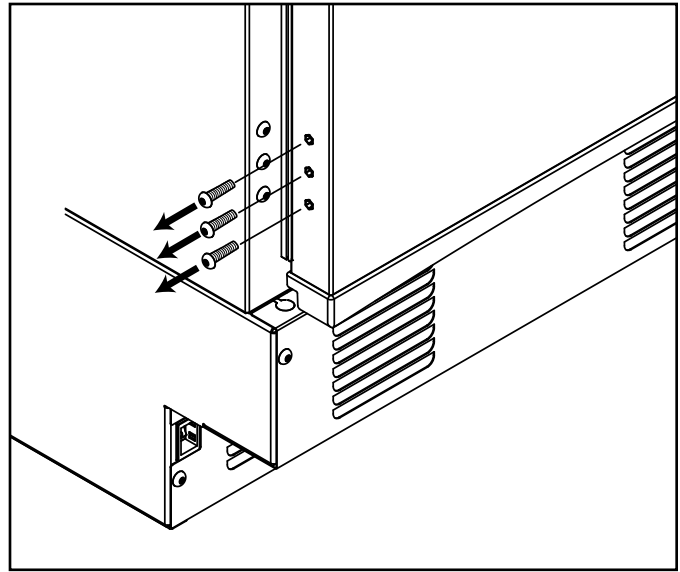
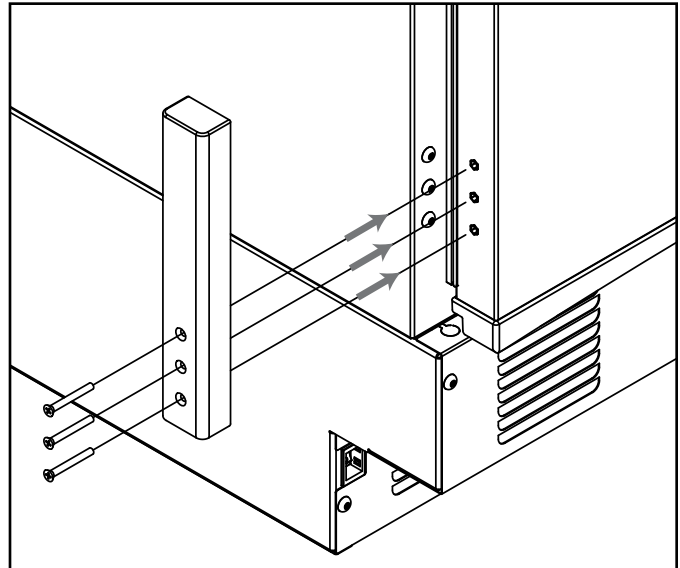


Fig. 2



Follett is a registered trademarks of Follett Corporation, registered in US.