

**Installation Instructions**

**Electrical requirements**

- Each unit requires a separate 15A circuit

**Tools required**

- #2 Phillips screwdriver
- 1/2" Wrench and 1/2" socket

**Materials supplied**

- (16) 10-32 x1/2 pan-head screw (00902213)
- (1) Right side stacking bracket (01041011)

- (1) Left side stacking bracket (01041029)
- (4) Bracket, unit (00988428)
- (4) Bracket, wall (00988436)
- (4) 5/16 Bolt (207476)
- (4) 5/16 Nut (200457)
- (8) Flat washer (207005)
- (4) 5/16 Lock washers (207475)
- (8) Extra kick plate screws (203460)
- (2) Straight kick plates (01067016)

<b>⚠ CAUTION</b>	
<ul style="list-style-type: none"> <li>• DO NOT TRANSPORT STACKED UNITS. Transporting stacked units can result in damage to units.</li> <li>• DO NOT USE CASTERS ON STACKED UNITS. Attempting to use casters on stacked units could result in personal injury or damage to the unit.</li> </ul>	

**Installation**

**Before beginning installation**

Follett's REF/FZR stacking kit may be used ONLY with REFs or FZR's equipped with a STRAIGHT bottom kickplate (**Fig. 1**).

If your REFs or FZR's have recessed kickplates (**Fig. 2**), replace them with the straight kickplates included with this kit.

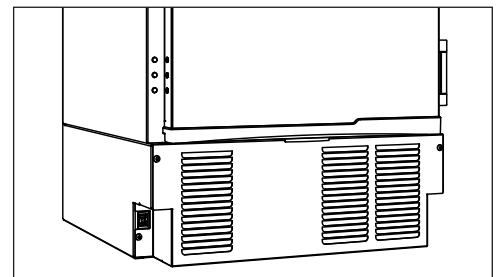
**Note on instructions:**

TOP and BOTTOM refer to final stacked configuration

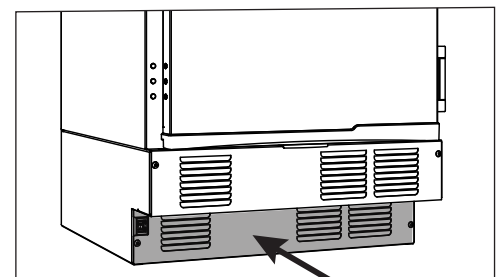
**Installing levelers**

1. Remove levelers from plastic bag packed inside unit.
2. Tip refrigerator back and screw levelers (**Fig. 3**) in all the way to stop (they will extend 1/8" below base).
3. Adjust levelers as needed to level unit in both directions. To access levelers, remove the lower front panel. Turn levelers clockwise to extend levelers.

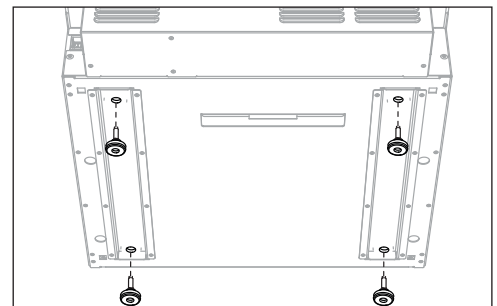
**Fig. 1 – Straight kickplate**



**Fig. 2 – Recessed kickplate**



**Fig. 3**



**Note:** If you are using this in a food service application and installing in accordance with NSF, you must seal the unit to the floor once it is set in place. Place a 1/8" bead of NSF-approved silicone sealant (not provided) around the base of the unit.

### Installing stacking brackets

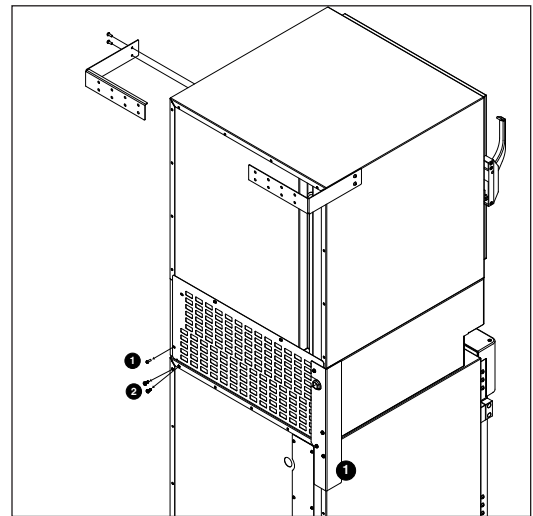
1. Set TOP unit directly on top of BOTTOM unit.
2. Remove two screws from bottom left corner (**Fig. 4.1**) and two screws from bottom right corner of TOP unit. **Do not discard, these screws will be reused to install the bracket.**
3. Position stacking bracket on left, bottom rear corner of TOP unit side with holes against REF or FZR back (**Fig. 5.1**).  
**CAUTION:** Bracket must be tight against unit.
4. Secure with two #10-32 screws through round bracket holes into two existing threaded rivnuts (**Fig. 5.2**).
5. Position remaining stacking bracket on right, bottom rear corner of TOP unit side with holes against REF or FZR and secure with two #10-32 screws through round bracket holes into two existing threaded rivnuts.
6. Secure both brackets to BOTTOM unit using supplied #10-32 screws (**Fig. 6.1**).

### Installing wall anchor brackets

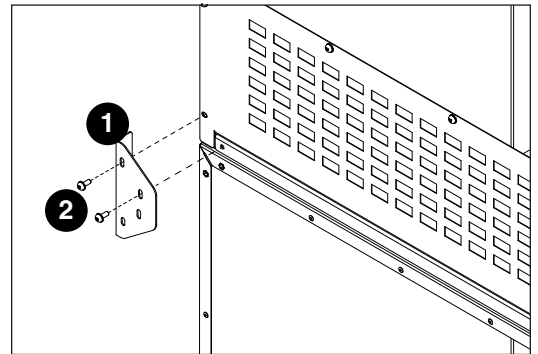
**WARNING!** *Wall anchor brackets must be installed to secure TOP unit to wall stud and steady the stacked assembly.*

1. Attach wall anchor brackets (4) into wall stud using hardware and installation method suitable to application and local codes (**Fig. 7.1**).
2. Attach wall bracket to unit with two #10-32 screws (**Fig. 7.2**).
3. Repeat steps 1-2 to install additional wall brackets in other positions.
4. Move unit into place, align wall bracket with wall anchor bracket and secure each with bolt, two flat washers, lock washer, and nut (**Fig. 7.3**).
5. **Note:** CA installations require two wall anchor brackets installed at top AND bottom of units. Go to Follett website <http://www.follettice.com/misc/oshpd.asp> for CA seismic anchorage information for "Stacking refrigerators and freezers." The wall brackets on the bottom unit should be mounted near the floor level.

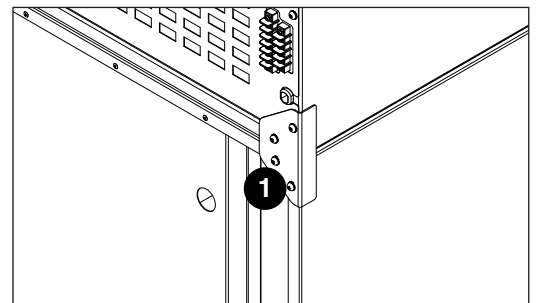
**Fig. 4**



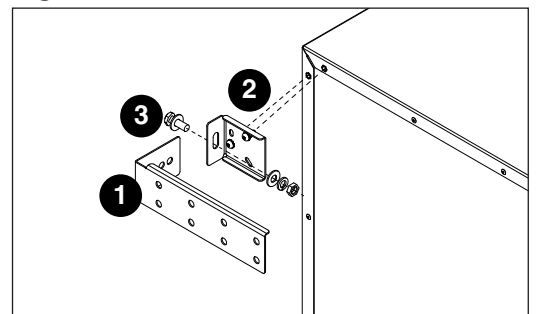
**Fig. 5**



**Fig. 6**



**Fig. 7**



Follett is a registered trademark of Follett Corporation, registered in US.