

Installation Instructions

Electrical requirements

- Each unit requires a separate 15A circuit

Tools required

- #2 Phillips screwdriver
- 1/2" Wrench and 1/2" socket
- Drill
- 0.0166" or #19 drill bit

Materials supplied

- (2) Wall brackets (00172643)
- (4) 1/2" thread-cutting screws (208565)
- (4) #10-32 x 1/2" pan-head screws (00902213)
- (1) Straight Kickplate, REF/FZRP (01020817)
- (1) Right side stacking bracket (01066935)
- (1) Left side stacking bracket (01066943)
- (2) Bracket REFP/FZRP (bottom) (00988428)
- (2) Wall bracket (bottom) (00988436)
- (2) 5/16" bolts (207476)
- (2) 5/16" nuts (207457)
- (4) Flat washers (207005)
- (2) 5/16" lock washers (207475)

⚠ CAUTION

- DO NOT TRANSPORT STACKED UNITS. Transporting stacked units can result in damage to units.
- DO NOT USE CASTERS ON STACKED UNITS. Attempting to use casters on stacked units could result in personal injury or damage to the unit.

Installation

Before beginning installation

If you experience any problems during the installation of this kit, please call Follett Technical Service toll-free at (877) 612-5086 for assistance.

Follett's undercounter refrigerator/freezer stacking kit may be used **ONLY** with undercounter refrigerators or freezers equipped with a **STRAIGHT** bottom kickplate (**Fig. 1**).

If your refrigerators/freezers have recessed kickplates (**Fig. 2**), replace them with the straight kickplates.

Fig. 1 - Straight kickplate

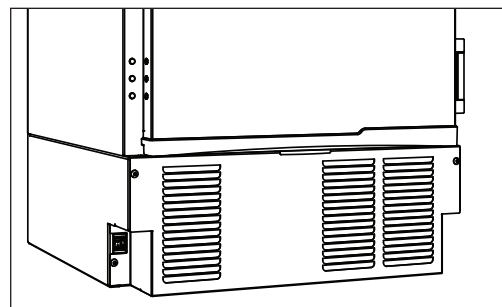
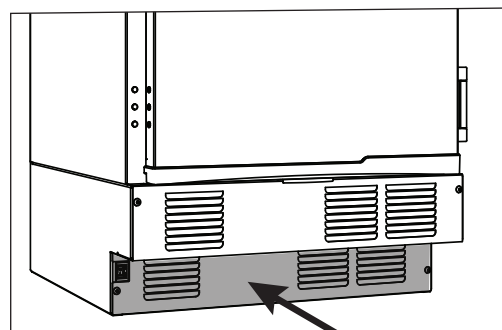


Fig. 2 - Recessed kickplate

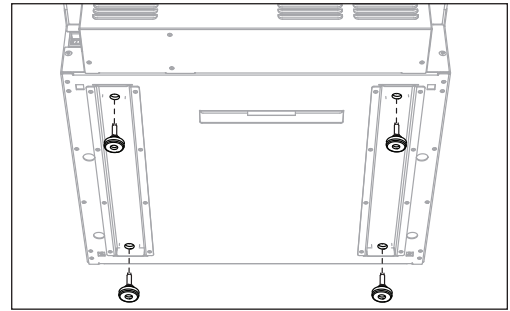


Installing levelers

1. Remove levelers from plastic bag packed inside refrigerator.
2. Tip refrigerator back (**Fig. 3**) and screw levelers in all the way to stop (they will extend 1/8" below base of REF).
3. Adjust levelers as needed to level REF in both directions. To access levelers, remove the lower front panel. Turn levelers clockwise to extend levelers.

Note: If you are using this in a food service application and installing in accordance with NSF, you must seal the unit to the floor once it is set in place. Place a 1/8" bead of NSF-approved silicone sealant (not provided) around the base of the unit.

Fig. 3



Installing stacking brackets

1. Set REF/FZR unit directly on top of Performance Plus unit.
2. Remove two screws from bottom left side (**Fig. 4.1**) and bottom right side of TOP unit and **discard screws**. Remove two screws from top left corner (**Fig. 4.2**) and top right corner of BOTTOM unit. **Do not discard, these screws will be reused to install the bracket.**

3. Position stacking bracket on left, bottom rear corner of TOP unit side with holes against REF or FZR back (**Fig. 5.1**).

CAUTION: Bracket must be tight against unit.

4. Secure top unit with two new #10-32 screws through bracket holes into two existing threaded rivnuts (**Fig. 5.2**).
5. Secure bottom of bracket with two #10-32 screws previously removed (**Fig. 5.3**).
6. Position remaining stacking bracket on right, bottom rear of TOP unit side and secure like previous bracket.

Fig. 4

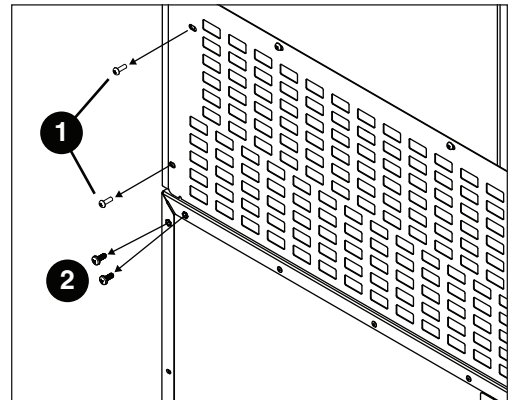
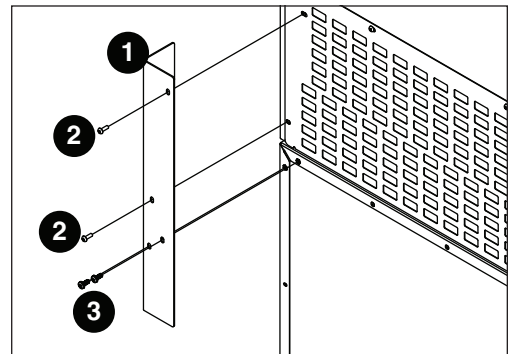


Fig. 5



Installing wall anchor brackets

WARNING! *Wall anchor brackets must be installed to secure TOP unit to wall stud and steady the stacked assembly.*

Top Brackets

1. Position (1) wall bracket flush with top of unit (on handle side) with 2-hole leg against REF or FZR side and 8-hole leg flush with wall (**Fig. 6.1**).
2. Using bracket as template, drill (2) holes in REF/FZR side (.0166, #19 drill bit).
3. **CAUTION: DO NOT DRILL DEEPER THAN 1" (Fig. 6.1).**
4. Attach wall anchor bracket into wall stud using hardware and installation method suitable to application and local codes.
5. Attach wall bracket to unit with (2) #10-32x1/2 thread cutting screws.
6. Repeat steps 1-4 to install additional wall brackets in other side.

Note: CA installations require (2) wall anchor brackets installed at top AND bottom of units. Go to Follett website <http://www.follettice.com/misc/oshpd.asp> for CA seismic anchorage information for "Stacking refrigerators and freezers." The wall brackets on the bottom unit should be mounted near the floor level.

Bottom Brackets

1. Attach wall anchor brackets (2) into wall stud using hardware and installation method suitable to application and local codes (**Fig. 7.1**).
2. Remove screws from the bottom corner of the unit. Attach wall bracket to unit by reusing the two #10-32 screws (**Fig. 7.2**).
3. Repeat steps 1-2 to install additional wall brackets in other positions.
4. Move unit into place, align wall bracket with wall anchor bracket and secure each with bolt, two flat washers, lock washer, and nut (**Fig. 7.3**).

Note: CA installations require two wall anchor brackets installed at top AND bottom of units. Go to Follett website <http://www.follettice.com/misc/oshpd.asp> for CA seismic anchorage information for "Stacking refrigerators and freezers." The wall brackets on the bottom unit should be mounted near the floor level.

Fig. 6

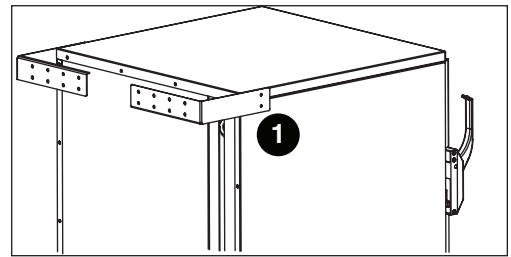
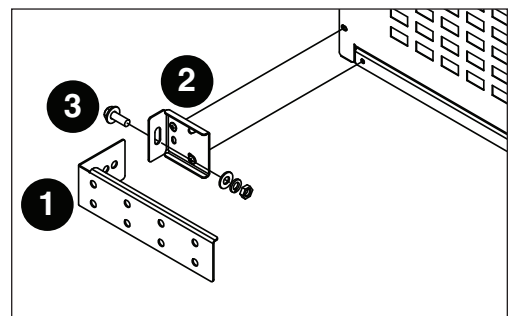


Fig. 7



Follett is a registered trademark of Follett Corporation, registered in US.



801 Church Lane • Easton, PA 18040, USA
Toll free (877) 612-5086 • +1 (610) 252-7301
www.follettice.com

01067180R02
© Follett Corporation 9/15