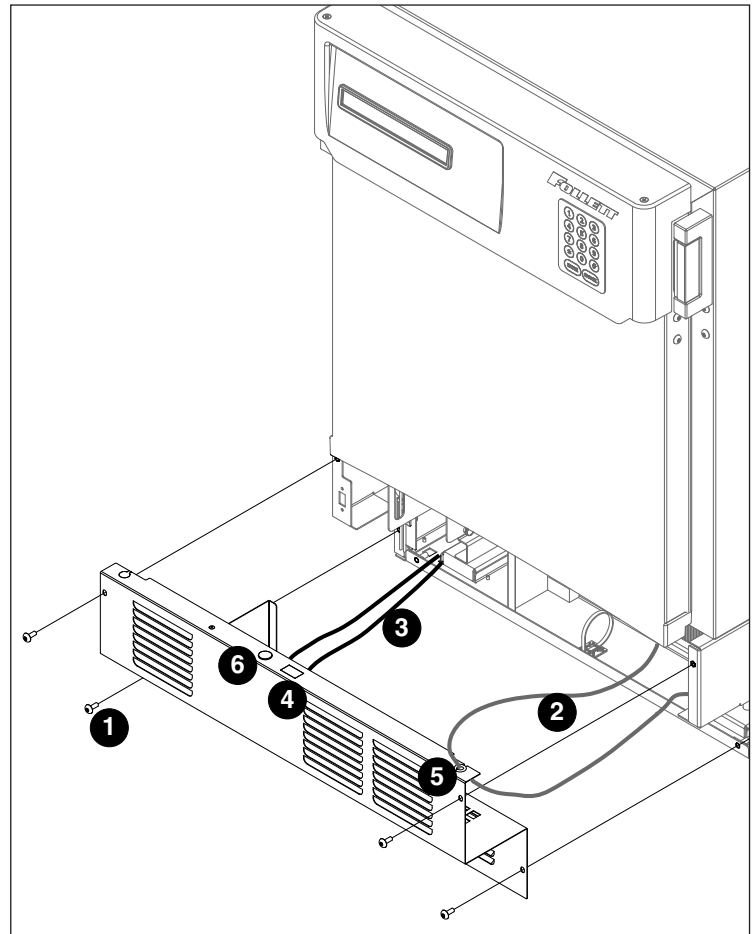


If you experience any problems during the installation of this kit, please call Follett Technical Service toll-free at (877) 612-5086 for assistance.

Installation

1. Provide power to the unit and turn the power switch to the ON position.
2. Prop the door open so it doesn't close during the kickplate installation.
Note: Keypad instructions can be found in the Installation, Operation and Service manual.
3. Turn power switch to the OFF position and unplug the unit from the power supply.
4. Remove the four screws (**Fig. 1.1**) on the kickplate at the bottom of the unit.
5. Remove the kickplate.
6. Remove the grey wire (**Fig. 1.2**) from the kickplate by removing the black strain relief. Then slide the grey and black wire through the slot provided.
7. (Touchscreen UI models only) Disconnect the two black wires (**Fig. 1.3**) that are connected to the door sensor in the center of the kickplate.

Fig. 1



Re-installing the kickplate or changing to a straight kickplate.

8. If you have an electronic lock, the knock-out in the center of the kickplate (**Fig. 1.4**) will need to be removed before installation.
9. Push the grey and black wire into the slot (**Fig. 1.5**) on the hinge side of the door.
10. Push the strain relief onto the wire just above the kickplate. Slide the strain relief down into the hole in the kickplate.
11. All kickplates have a door sensor in the center of the kickplate (**Fig. 1.6**), these will only be used if you have touchscreen controls.
12. Push the kickplate into place and install the four screws.
13. Close the door and check to make sure that the wire on the hinge side of the door is not kinked or pinched and that the black sheathing slides easily through the grommet as the door opens and closes.
14. Plug the unit back into the power supply and turn the power switch ON.
15. For units equipped with an electronic lock, check for proper operation. For units with a touchscreen user interface, check for proper door sensor operation (interior light should come on when the door has been opened).

Follett is a registered trademark of Follett Corporation, registered in US.



801 Church Lane • Easton, PA 18040, USA
Toll free (877) 612-5086 • +1 (610) 252-7301
www.follettice.com

01067560R00
© Follett Corporation 6/14