

Chewblet® ice machine

accessories



Shown with Horizon Elite™ ice machine

model	configuration (A/W) – air- or water-cooled (R/N) – with or without remote condenser	Item number
425	self-contained (A/W)	AFR400STND
710	self-contained (A)	00997080
1010	self-contained (A/W)	01085463
	remote (R/N)	00997080
1410	self-contained (A/W)	01085463
	remote (R/N)	00997080
1810	remote (R/N)	00997080
2110	remote (R/N)	00997080

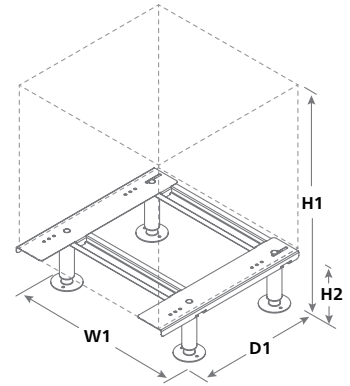


Shown with Horizon Elite ice machine

model	configuration (A/W) – air- or water-cooled (R/N) – with or without remote condenser	Item number
425	self-contained (A/W)	AFWALLMTBRKT
710	self-contained (A)	00997098
1010	self-contained (A/W)	01085455
	remote (R/N)	00997098
1410	self-contained (A/W)	01085455
	remote (R/N)	00997098
1810	remote (R/N)	00997098
2110	remote (R/N)	00997098

Ice machine stand

Stand for Horizon Elite™ and Maestro Plus™ ice machines with RIDE® remote ice delivery equipment to elevate ice machines 6.80" (17.3 cm) to 8.30" (21.1 cm) above the floor.

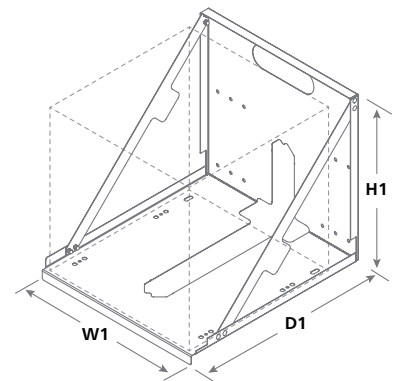


model	W1	D1	H1	H2
425 A/W	18.70" (47.5 cm)	22.70" (57.7 cm) ¹	23.80" (60.5 cm)	6.80" (17.3 cm)
710 A	22.70" (57.7 cm)	24.50" (62.2 cm)	28.00" (71.1 cm)	6.80" (17.3 cm)
1010/1410 A/W	29.15" (74.0 cm)	23.25" (59.1 cm)	29.30" (74.4 cm)	6.80" (17.3 cm)
1010/1410 R/N	22.70" (57.7 cm)	22.50" (57.2 cm)	28.00" (71.1 cm)	6.80" (17.3 cm)
1810/2110 R/N	22.70" (57.7 cm)	23.70" (60.2 cm)	29.30" (74.4 cm)	6.80" (17.3 cm)

¹ Depth includes 1.90" (4.83 cm) shroud and gasket to mate condenser to interior of cabinet for adequate air intake.

Wall mount bracket

Wall mount bracket for ice machines with RIDE remote ice delivery equipment conserves floor space. Allows ice machine to be located away from customer areas.



model	W1	D1	H1 ¹
425² A/W	26.20" (66.5 cm)	20.20" (51.3 cm)	19.40" (49.3 cm)
1010/1410 A/W	30.50" (77.5 cm)	25.50" (64.8 cm)	23.50" (59.7 cm)
710 A, 1010/1410/1810/2110 R/N	23.00" (58.4 cm)	25.50" (64.8 cm)	22.50" (57.2 cm)

¹ Height of bracket and ice machine.

² 425 (Maestro Plus) oriented with utilities to left side on wall mount bracket.

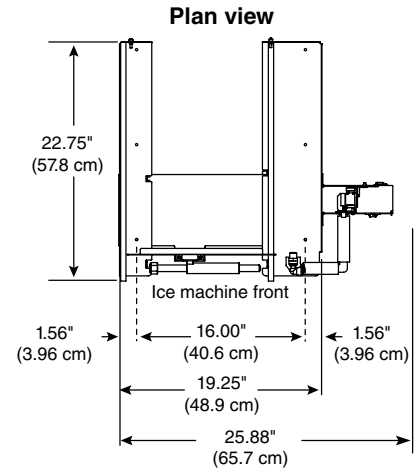
Job

Item



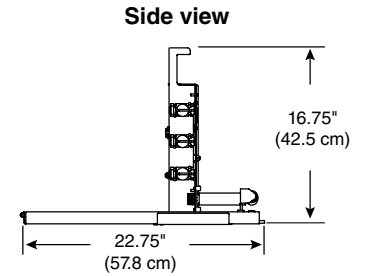
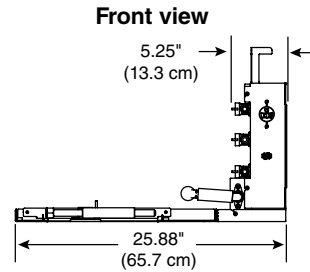
Slide-out stand

Slide-out accessory for Maestro Plus ice machines with RIDE technology allows easy access for service and cleaning without disconnecting utilities. Includes front leg to support ice machine.



model	Item number
MCD425AVS	01068477 ¹
MCD425WVS	
MCD425AHS	
MCD425WHS	

¹ Compatible with AFR400STND accessory.



Line set

35 ft (11 m) line set for connecting Horizon Elite evaporator units to their remote condensing unit. Lines are cleaned and capped without a pre-charge of refrigerant. Connections must be brazed (no quick connect).

model	line size	Item number
1010 remote (R/N)	3/8" liquid, 5/8" suction (insulated)	00193227
1410 remote (R/N)		
1810 remote (R/N)	3/8" liquid, 7/8" suction (insulated)	00977785
2110 remote (R/N)		



Timer

Timer to control one or two Horizon Elite ice machines.

model	Item number
710, 1010, 1410, 1810, 2110	00967265

Horizon Elite and Maestro Plus are trademarks of Follett LLC.

Chewblet, Follett and RIDE are registered trademarks of Follett LLC, registered in the US.

Follett reserves the right to change specifications at any time without obligation. Certifications may vary depending on country of origin.